

کد کنترل

657

A



آزمون ورودی دوره‌های کارشناسی ارشد ناپیوسته داخل - سال ۱۴۰۰

صبح چهارشنبه



«اگر دانشگاه اصلاح شود مملکت اصلاح می‌شود.»
امام خمینی (ره)

جمهوری اسلامی ایران
وزارت علوم، تحقیقات و فناوری
سازمان سنجش آموزش کشور

نانو فناوری - نانو مواد - (کد ۱۲۷۳)

مدت پاسخ‌گویی: ۲۱۰ دقیقه

تعداد سؤال: ۱۶۵

عنوان مواد امتحانی، تعداد و شماره سؤالات

ردیف	مواد امتحانی	تعداد سؤال	از شماره	تا شماره
۱	زبان عمومی و تخصصی (انگلیسی)	۳۰	۱	۳۰
۲	ریاضیات مهندسی	۱۵	۳۱	۴۵
۳	شیمی کاربردی	۲۰	۴۶	۶۵
۴	فیزیک جدید	۲۰	۶۶	۸۵
۵	شیمی فیزیک و ترمودینامیک	۲۰	۸۶	۱۰۵
۶	خواص فیزیکی و مکانیکی مواد	۲۰	۱۰۶	۱۲۵
۷	پدیده‌های انتقال (انتقال جرم، مکانیک سیالات، انتقال حرارت)	۲۰	۱۲۶	۱۴۵
۸	الکترونیک (۱ و ۲) و الکترومغناطیس مهندسی	۲۰	۱۴۶	۱۶۵

استفاده از ماشین حساب مجاز نیست.

این آزمون نمره منفی دارد.

حق چاپ، تکثیر و انتشار سؤالات به هر روش (الکترونیکی و...) پس از برگزاری آزمون، برای تمامی اشخاص حقیقی و حقوقی تنها با مجوز این سازمان مجاز می‌باشد و با متخلفین برابر مقررات رفتار می‌شود.

* داوطلب گرامی، عدم درج مشخصات و امضا در مندرجات جدول ذیل، به منزله عدم حضور شما در جلسه آزمون است.

اینجانب با شماره داوطلبی با آگاهی کامل، یکسان بودن شماره صندلی خود را با شماره داوطلبی مندرج در بالای کارت ورود به جلسه، بالای پاسخنامه و دفترچه سؤالات، نوع و کد کنترل درج شده بر روی دفترچه سؤالات و پائین پاسخنامه را تأیید می‌نمایم.

امضا:

زبان عمومی و تخصصی (انگلیسی):

PART A: Vocabulary

Directions: Choose the word or phrase (1), (2), (3), or (4) that best completes each sentence. Then mark the correct choice on your answer sheet.

- 1- The police only believed me after an eyewitness ----- my account of the accident.
1) displayed 2) constituted 3) corroborated 4) suspected
- 2- The plan is to our ----- advantage; we will all benefit greatly from it.
1) concurrent 2) mutual 3) devoted 4) involved
- 3- Our organization is committed to pursuing its aims through peaceful ----- . We totally reject violence as a means of political change.
1) means 2) instruments 3) devices 4) gadgets
- 4- All parents receive a booklet which ----- the school's aims and objectives before their children start their first term.
1) clarifies 2) injects 3) conducts 4) notifies
- 5- Increasing the state pension is a ----- aim, but I don't think the country can afford it.
1) redundant 2) diverse 3) flexible 4) laudable
- 6- The primary aim in sumo wrestling is to knock your ----- right out of the ring!
1) protagonist 2) opponent 3) referee 4) beneficiary
- 7- The cost of the damage caused by the oil ----- will be around \$200 million.
1) spill 2) guilt 3) demerit 4) extent
- 8- Most of us ----- when we hear that many children spend more time watching TV than they spend in school. It's a rather scary thought.
1) withdraw 2) retreat 3) recoil 4) regress
- 9- Even though he isn't enrolled right now, Calvin says he will go to college ----- .
1) creatively 2) delicately 3) sentimentally 4) eventually
- 10- You should avoid driving during the snowstorm because the icy roads are ----- .
1) superficial 2) frigid 3) perilous 4) cautious

PART B: Cloze Test

Directions: Read the following passage and decide which choice (1), (2), (3), or (4) best fits each space. Then mark the correct choice on your answer sheet.

When it comes to visually identifying a work of art, there is no single set of values or aesthetic traits. A Baroque painting will not necessarily (11) ----- much with a contemporary performance piece, but they are both considered art.

(12) ----- the seemingly indefinable nature of art, there have always existed certain formal guidelines for its aesthetic judgment and analysis. Formalism is a concept in art theory (13) ----- an artwork's artistic value is determined solely by its form, or the way (14) -----, Formalism evaluates works on a purely visual level, (15) ----- medium and compositional elements as opposed to any reference to realism, context, or content.

- | | | | | |
|-----|-------------------|---------------|-------------------|-----------------|
| 11- | 1) share | 2) be sharing | 3) have shared | 4) be shared |
| 12- | 1) Although | 2) Despite | 3) Regardless | 4) However |
| 13- | 1) that | 2) that in it | 3) which | 4) in which |
| 14- | 1) of it made | 2) made | 3) how it is made | 4) it is made |
| 15- | 1) are considered | 2) considers | 3) considering | 4) and consider |

PART C: Reading Comprehension

Directions: Read the following three passages and answer the questions by choosing the best choice (1), (2), (3), or (4). Then mark the correct choice on your answer sheet.

PASSAGE 1:

Films made of semiconductor nanocrystals are seen as a promising new material for a wide range of applications. Nanocrystals could be used in electronic or photonic circuits, detectors for biomolecules, or the glowing pixels on high-resolution display screens. They also hold promise for more efficient solar cells.

The size of a semiconductor nanocrystal determines its electrical and optical properties. But it's very hard to control the placement of nanocrystals on a surface in order to make structurally uniform films. Typical nanocrystal films also have cracks that limit their usefulness and make it impossible to measure the fundamental properties of these materials. Now, researchers at MIT say they have found ways of making defect-free patterns of nanocrystal films where the shape and position of the films are controlled with nanoscale resolution, potentially opening up a significant area for research and possible new applications. "We've been trying to understand how electrons move in arrays of these nanocrystals," which has been difficult with limited control over the formation of the arrays, says physicist Marc Kastner, dean of MIT's School of Science.

In the initial phases of the new work, postdoc Tamar Mentzel produced nanoscale patterns that emit invisible infrared light. But working on such systems is tedious, since each fine-tuning has to be checked using time-consuming electron microscopy. So when Mentzel succeeded in getting semiconductor nanocrystal patterns to glow with visible light, making them visible through an optical microscope, it meant that the team could greatly speed the development of the new technology. "Even though the nanoscale patterns are below the resolution limit of the optical microscope, the nanocrystals act as a light source, rendering them visible," Mentzel says.

The electrical conductivity of the researchers' defect-free films is roughly 180 times greater than that of the cracked films made by conventional methods. In addition, the process developed by the MIT team has already made it possible to create patterns on

a silicon surface that are just 30 nanometers across -- about the size of the finest features possible with present manufacturing techniques.

The process is unique in producing such tiny patterns of defect-free films. Mentzel says. "The trick was to get the film to be uniform, and to stick" to the silicon dioxide substrate, Kastner adds. That was achieved by leaving a thin layer of polymer to coat the surface before depositing the layer of nanocrystals on top of it. The researchers conjecture that tiny organic molecules on the surface of the nanocrystals help them bind to the polymer layer.

Such nanocrystal patterns could have many applications. Kastner says. Because these nanocrystals can be tuned not only to emit but also to absorb a wide spectrum of colors of light, they could enable a new kind of broad-spectrum solar cell, he says.

- 16- **Which difficulty forced researchers to move towards making defect-free films?**
- 1) Size-dependent properties
 - 2) Crack formation on the surface
 - 3) Controlling resolution at nanoscale
 - 4) Problems in positioning nanocrystals on the surface
- 17- **According to Marc Kastner, the goal of the research team has been to -----.**
- 1) fabricate more efficient solar cells
 - 2) make new semiconductor nanocrystals
 - 3) find new applications for electron microscopes
 - 4) determine the electron movement mechanism in nanocrystals
- 18- **Why fabricated patterns were visible despite the fact that their size falls below visible range?**
- 1) Because the nanocrystal arrays are defect-free
 - 2) Because the synthesized material is extremely small
 - 3) Because each nanocrystal can act as a light source itself
 - 4) Because the limits of the microscopes disappear by the progress of technology
- 19- **Why the fabricated structure shows a large electrical conductivity?**
- 1) Because it is defect-free
 - 2) Because of using silicon dioxide as the substrate
 - 3) Because of the presence of organic molecules on the surface
 - 4) Because MIT employed a special technique to deposit small features
- 20- **How is the pattern glued to the surface?**
- 1) By reducing the pattern size down to 30nm
 - 2) By the development of new optical microscopes
 - 3) By adding an intermediate layer comprised of polymeric material
 - 4) By adapting the process with the existing manufacturing techniques

PASSAGE 2:

Quantum dots are nano-size crystals that emit light; the wavelength they emit depends on the size of the crystal. Quantum dots are composed of various materials, such as lead sulfide, zinc sulfide, cadmium selenide, and indium phosphide. Quantum dots are useful because, depending on their size and composition, they emit a particular wavelength, or color, of light after an outside source, such as an ultraviolet light, excites the electrons in them. Quantum dots produce light in a way similar to atoms. The ability to tailor the color of light emitted by a group of quantum dots is very useful

in medical diagnostics. The rules that describe electron orbitals (also called energy levels) — and dictate that electrons are only allowed to be in certain energy levels within an atom — are called *quantum mechanics*. Because electrons in these nano-size crystals behave in a similar way, they are called quantum dots. Quantum dots are useful because when you add energy to their electrons, the electrons act like they're in one big atom — and (as any physicist could tell you) when you add energy to the electrons in any atom, what you get is light. This occurs when an electron moves to a higher energy level and then falls back again to its normal energy level. The same is true for quantum dots — zap them and they glow. One way to add energy to quantum dots is to shine an ultraviolet light on them. It turns out that the smaller the quantum dot, the larger the gap between energy levels — which means more energy is packed into the photon that's emitted when an electron falls from a higher energy level to its normal energy level. A small quantum dot emits higher-energy photons — with a shorter wavelength — than a large Q-dot can. Think of this light in terms of color: A quantum dot of a particular size — a relatively large size, to be exact — emits red light, which is the longest wavelength of visible light: smaller quantum dots produce different colors. If you keep going down smaller and smaller, you'll eventually get to a tiny quantum dot that emits blue light — the shortest wavelength of visible light. If you come up with *really large* quantum dots, you might get them to emit infrared light; incredibly teeny quantum dots might emit ultraviolet light, outside the visible spectrum. So where do you get quantum dots? It turns out that it's possible to grow a large number of quantum dots in a chemical reaction — but the methods used range from simple wet-chemical setups (in which you precipitate zinc sulfide crystals) to complicated methods such as chemical-vapor deposition (which is also used to grow carbon nanotubes). You can control the size of a particular batch of quantum dots — ensuring that they all emit the same wavelength of light — by controlling the length of time you allow the reaction to run.

- 21- Which of the following, according to the passage, is True?
- 1) Only quantum dots emit light.
 - 2) Quantum dots are crystalline.
 - 3) Any quantum dot is composed of various materials.
 - 4) Quantum dots emit crystal size-independent photons after being excited by UV light.
- 22- The main reason for employing quantum dots in medical devices is -----.
- 1) their electrons are excited with UV light
 - 2) quantum dots are composed of various materials
 - 3) the possibility of controlling wavelength emitted by quantum dots
 - 4) when their electrons receive energy, they act like being in a big atom
- 23- According to the passage, light is emitted when -----.
- 1) UV light is shined on quantum dots
 - 2) their band gaps become larger
 - 3) quantum dots get smaller and smaller
 - 4) excited electrons lose energy while returning to original state
- 24- Which of the following happens with increasing the size of quantum dots?
- 1) Emissions of longer wavelength may occur.
 - 2) They stop obeying quantum mechanics rules.
 - 3) The gap between energy states becomes larger.
 - 4) Their excited electrons find difficulties in going back to their normal level.

- 25- With regard to synthesis of quantum dots, which of the following is NOT correct?
- 1) Simple methods are preferred to complicated methods such as chemical vapor deposition.
 - 2) Size control of quantum dots is possible via controlling the processing time.
 - 3) Zinc sulfide quantum dots can be synthesized through precipitation.
 - 4) Large-scale production is possible.

PASSAGE 3:

Certain materials — some semiconductors for example — can be stimulated to emit photons. The LED (light-emitting diode) is a common example of this kind of technology, but is not a laser itself. To get the laser effect, you'd most often want to choose a semiconductor-like material — called a gain medium — and place it in an optical cavity. Photons enter the cavity, bounce back and forth, and stimulate the medium to emit more photons. Those extra photons are of the same wavelength as the original ones, so what you get is an amplified version of the original light. (This “light amplification by stimulated emission of radiation” is how a laser gets its name.). To make a nanolaser, a photonic crystal is used to create a cavity that's almost as small as the wavelength of the photons themselves. This cramped space forces the photons to travel in nearly parallel lines, until the intensity of the light reaches the theoretical limit — in effect, all the photons are traveling right on top of each other! The gain medium is essentially part of the crystal itself — but before it can emit photons, a small electric current must be introduced (that's true for most semiconductor lasers anyway). That little zap of extra energy is all the photons need to make a break for it and blast out of the crystal as a laser beam. When supplied with a little electricity and a signal composed of photons, the laser amplifies that signal. Out comes a flow of happy photons, ready to spread information around the world. Korean researchers have developed such a photonic crystal laser, using a semiconducting material (indium gallium arsenide phosphide). Their laser produces detectable amounts of light with as little as 250 millionths of an ampere of electricity. Their design uses a tiny post to conduct electricity and soak up excess heat without disturbing the main portion of the crystal at the top.

- 26- An LED is a/an -----.
- 1) member of laser materials
 - 2) semiconductor which emits light
 - 3) semiconductor with amplified emission
 - 4) optical cavity made for laser production
- 27- A “gain medium”, according to the passage, is a -----.
- 1) place in the optical cavity
 - 2) semiconductor used to fabricate LEDs
 - 3) material employed to create laser effect
 - 4) cavity in which photons bounce back and forth
- 28- The light is amplified by -----.
- 1) encouraging the medium to emit light at the same wavelength
 - 2) creating extra photons of different wavelengths
 - 3) forcing photons bounce back and forth
 - 4) using light-emitting diodes

- 29- The light is intensified in nanolasers by -----.
- 1) applying electricity
 - 2) varying the wavelength of the emitted light
 - 3) confining their movement inside a sufficiently small cavity
 - 4) making photons move randomly until reaching the intensity limit
- 30- What is the driving force for laser beam to exit the crystal?
- 1) Zapping the system using large amounts of energy
 - 2) The electric current charged into the system
 - 3) The crystal positioned at the top
 - 4) The flow of photons

ریاضیات مهندسی:

۳۱- به کمک سری فوریه سینوسی تابع $f(x) = \cos x$ در فاصله $(0, \pi)$ ، حاصل $\sum_{k=1}^{\infty} \frac{(-1)^{k+1}(2k-1)}{16k^2 - 16k + 2}$ کدام است؟

(۱) $\frac{\pi}{16}$ (۲) $\frac{\pi}{8}$ (۳) $\frac{\sqrt{2}\pi}{8}$ (۴) $\frac{\sqrt{2}\pi}{16}$

۳۲- با توجه به تبدیل فوریه تابع $f(x) = \begin{cases} \cos x & ; |x| < \frac{\pi}{2} \\ 0 & ; |x| \geq \frac{\pi}{2} \end{cases}$ ، مقدار $\int_0^{\infty} \frac{\cos(\frac{\pi x}{2})}{1-x^2} dx$ کدام است؟

(۱) $-\pi$ (۲) صفر (۳) $\frac{\pi}{4}$ (۴) $\frac{\pi}{2}$

۳۳- تبدیل فوریه معکوس $F(\omega) = \frac{e^{-i\omega a}}{\omega^2 + a^2}$ به ازای عدد حقیقی مثبت a ، کدام است؟

(۱) $\frac{1}{2a} e^{-a(t-1)}$ (۲) $\frac{1}{2a} e^{-a|t-1|}$
 (۳) $\frac{1}{2a} e^{a(t-1)}$ (۴) $\frac{1}{2a} e^{a|t-1|}$

۳۴- در معادله دیفرانسیل با مشتقات جزئی $e^{2x} \frac{\partial^2 u}{\partial x^2} + 2xe^{x+y} \frac{\partial^2 u}{\partial x \partial y} + e^{2y} \frac{\partial^2 u}{\partial y^2} = 0$ ، کدام گزاره درست است؟

- (۱) به ازای $x = y$ از نوع سهمی گون است. (۲) به ازای $x = y$ از نوع هذلولی گون است.
 (۳) به ازای $-1 < x < 1$ از نوع بیضی گون است. (۴) به ازای $-1 < x < 1$ از نوع هذلولی گون است.

۳۵- مسأله $xu_{xy} - u_y = y + x$ با شرایط $u(1, y) = -\frac{1}{4}y^2$ و $u(x, 0) = 0$ را در نظر بگیرید. مقدار $u(2, 1)$ کدام است؟

(۱) $\ln 4 - \frac{1}{2}$ (۲) $\ln 4$
 (۳) $\ln 4 + \frac{1}{2}$ (۴) $\ln 4 + 2$

۳۶- پتانسیل الکترواستاتیک کران دار V در نیمه بالایی صفحه مختصات در معادله لاپلاس با شرط کرانه‌ای

$$V(x,0) = \begin{cases} 1; & x > 0 \\ 2; & x \leq 0 \end{cases}$$

صدق می‌کند. حاصل $V(1, \sqrt{3}) - V(1,1)$ ، کدام است؟

(۱) $\frac{1}{24}$ (۲) $\frac{1}{18}$ (۳) $\frac{1}{12}$ (۴) $\frac{1}{6}$

۳۷- مسأله موج زیر را در نظر بگیرید. مقدار $u(1/5, 2)$ ، کدام است؟

$$\begin{cases} u_{tt} - 2u_{xx} + \lambda = 0; & 0 < x < 2, t > 0 \\ u(x,0) = 2x; u_t(x,0) = x^2 & 0 \leq x \leq 2 \\ u_x(0,t) = 0; u_x(2,t) = 2 & t \geq 0 \end{cases}$$

(۱) $43/5$

(۲) $42/75$

(۳) $5/25$

(۴) $4/75$

۳۸- در یک میله بسیار نازک دو سرعایق به طول ۲ و با توزیع دمای اولیه تابع $u(x,0) = \begin{cases} x & 0 < x < \frac{\pi}{2} \\ \pi - x & \frac{\pi}{2} < x < \pi \end{cases}$

توزیع دما از حل معادله $u_t = 9u_{xx}$ ، کدام است؟

(۱) $u(x,t) = \frac{\pi}{4} - \frac{2}{\pi} \sum_{n=1}^{\infty} \frac{1}{(2n+1)^2} e^{-9(2n-1)^2 t} \cos((2n+2)x)$

(۲) $u(x,t) = \frac{\pi}{2} - \frac{2}{\pi} \sum_{n=1}^{\infty} \frac{1}{(2n+1)^2} e^{-9(2n-1)^2 t} \cos((2n+2)x)$

(۳) $u(x,t) = \frac{\pi}{4} + \frac{1}{2\pi} \sum_{n=1}^{\infty} \frac{1}{n^2} e^{-9n^2 t} \cos(2nx)$

(۴) $u(x,t) = \frac{\pi}{2} + \frac{1}{2\pi} \sum_{n=1}^{\infty} \frac{1}{n^2} e^{-9n^2 t} \cos(2nx)$

۳۹- مکان هندسی نقاطی از صفحه مختلط که در نامعادله $\left| \frac{z-1}{z+1} \right| \leq 4$ صدق می‌کنند، کدام است؟

(۱) یک خط راست که از مبدأ مختصات نمی‌گذرد. (۲) نیم‌صفحه فوقانی صفحه مختصات

(۳) بیرون یک دایره که از مبدأ مختصات نمی‌گذرد. (۴) بیرون یک دایره که از مبدأ مختصات نمی‌گذرد.

۴۰- اگر $e^{x^2-y^2} \cos(2xy)$ قسمت حقیقی تابع مختلط تحلیلی $f(z)$ باشد، مقدار $f'(1)$ کدام است؟

(۱) $-2e$ (۲) $-4e$

(۳) $2e$ (۴) $4e$

۴۱ کدام تساوی درست است؟

$$\begin{aligned} & |\sin z|^2 = \cos^2 x + \sinh^2 y \quad (۲) & |\sin z|^2 = \sin^2 x + \sinh^2 y \quad (۱) \\ & |\sin z|^2 = \sin^2 x + \cosh^2 y \quad (۴) & |\sin z|^2 = \cos^2 x + \cosh^2 y \quad (۳) \end{aligned}$$

۴۲ - مانده تابع $e^z (z - \frac{1}{z})^4$ در $z = 0$ ، کدام است؟

$$\begin{aligned} & \frac{۱۲۷}{۴۴} \quad (۱) & \frac{۶۳۹}{۱۲۰} \quad (۲) & \frac{۱۲۹}{۴۴} \quad (۳) & \frac{۶۴۱}{۱۲۰} \quad (۴) \end{aligned}$$

۴۳ - حاصل $\oint_{|z-2|=4} \frac{۱۵z+9}{z^3-9z} dz$ ، کدام است؟

$$\begin{aligned} & -4\pi i \quad (۱) & -2\pi i \quad (۲) & 2\pi i \quad (۳) & 4\pi i \quad (۴) \end{aligned}$$

۴۴ - حاصل $\int_{-\infty}^{+\infty} \frac{\sin x + \cos x}{x^2+1} dx$ ، کدام است؟

$$\begin{aligned} & \frac{2\pi}{e} \quad (۱) & \frac{\pi}{e} \quad (۲) & -\frac{\pi}{e} \quad (۳) & -\frac{2\pi}{e} \quad (۴) \end{aligned}$$

۴۵ - ناحیه C نقاط درون و روی دایره‌ای به مرکز مبدأ مختصات و شعاع ۲ واحد است. مساحت ناحیه تبدیل یافته C توسط نگاشت $\omega = \frac{1}{z^2}$ ، کدام است؟

$$\begin{aligned} & \frac{\pi}{۱۶} \quad (۱) & \frac{\pi}{۴} \quad (۲) & \pi \quad (۳) & 4\pi \quad (۴) \end{aligned}$$

شیمی کاربردی:

۴۶ - هدف اصلی از واحد فیلترهای چکنده (Trickling Filter) کاهش کدام شاخص است؟

$$\begin{aligned} & EC \quad (۱) & BOD \quad (۲) & COD \quad (۳) & NTU \quad (۴) \end{aligned}$$

۴۷ - فاضلابی دارای BOD پنج روزه در $20^\circ C$ برابر $210 \frac{mg}{lit}$ و BOD نهایی برابر $350 \frac{mg}{lit}$ می‌باشد. BOD پنج روزه در $25^\circ C$ چند $\frac{mg}{lit}$ است؟ $(\theta = 1.047)$

$$\begin{aligned} & 180 \quad (۱) & 210 \quad (۲) & 350 \quad (۳) & 239.5 \quad (۴) \end{aligned}$$

۴۸ - در کدام روش تصفیه آب، TDS بیشترین مقدار است؟

- (۱) تقطیر
- (۲) رزین مختلط
- (۳) اسمز معکوس
- (۴) مجموعه ستون‌های رزینی (کاتیونی - آنیونی)

۴۹ - بار آلی ورودی به فرایند بیولوژیکی تصفیه فاضلاب $\frac{gBOD_5}{L.d}$ ، حجم واحد هوادهی $120 m^3$ و شدت جریان

حجمی ورودی $10 \frac{m^3}{h}$ است. در صورتی که راندمان حذف BOD_5 ، ۸۰ درصد باشد، غلظت BOD ورودی و خروجی به ترتیب چند میلی‌گرم در لیتر است؟

$$\begin{aligned} & 20 \text{ و } 100 \quad (۱) & 100 \text{ و } 500 \quad (۲) & 2000 \text{ و } 1000 \quad (۳) & 1600 \text{ و } 2000 \quad (۴) \end{aligned}$$

۵۰ نسبت وزنی پذیرفته شده BOD / N / P برای تصفیه بیولوژیکی فاضلاب خانگی خام و ته نشین شده چگونه با یکدیگر ارتباط دارند؟

- (۱) مقدار این نسبت برای فاضلاب خانگی خام همیشه بیشتر از فاضلاب ته نشین شده است.
- (۲) مقدار این نسبت برای فاضلاب خانگی ته نشین شده همیشه ثابت است.
- (۳) مقدار این نسبت وزنی برای فاضلاب خانگی خام همیشه ثابت است.
- (۴) مقدار این نسبت وزنی برای هر دو نوع فاضلاب یکسان است.

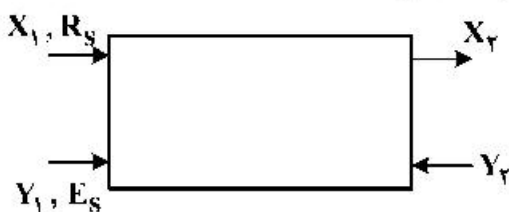
۵۱ برای پیش تصفیه آب ورودی به واحد رزین های تعویض یونی کاتیونی، کدام فرایند ممکن است نیاز باشد؟

- (۱) گرمایش
- (۲) فیلتراسیون
- (۳) انعقادسازی
- (۴) واحد رزین مختلط به صورت بستر سیال شده

۵۲ در فرایند آهک زنی برای کاهش سختی آب، مقدار $\beta = (M - P)$ در آب خام و در آب تصفیه شده چگونه تغییر می کند؟

- (۱) β در آب تصفیه شده می تواند مقدار مثبت یا منفی باشد.
- (۲) β در آب تصفیه شده مقدار منفی و در آب خام مقدار مثبتی است.
- (۳) β در آب تصفیه شده و در آب خام می تواند مقدار مثبت یا منفی باشد.
- (۴) β در آب تصفیه شده و در آب خام مقدار مثبتی است ولی مقدار آن در آب خام بیشتر است.

۵۳ در یک فرایند متقابل (Counter current) خط عمل یا کار، برابر کدام مورد است؟



$$\frac{Y_r - Y_1}{X_r - X_1} = \frac{E_s}{R_s} \quad (1)$$

$$\frac{Y_r - Y_1}{X_r - X_1} = \frac{R_s}{E_s} \quad (2)$$

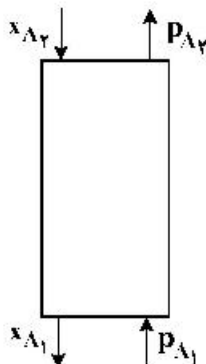
$$\frac{Y_r - Y_1}{X_r - X_1} = -\frac{E_s}{R_s} \quad (3)$$

$$\frac{Y_r - Y_1}{X_r - X_1} = -\frac{R_s}{E_s} \quad (4)$$

۵۴ در خصوص یک هوای مرطوب کدام گزینه درست است؟

- (۱) دمای شبنم برابر دمای اشباع آدیاباتیک است.
- (۲) دمای شبنم بیشتر از دمای اشباع آدیاباتیک است.
- (۳) دمای شبنم کمتر از دمای اشباع آدیاباتیک است.
- (۴) دمای شبنم و دمای اشباع آدیاباتیک کمتر از دمای حباب خشک می باشند.

۵۵ برای انجام فرایند جذب گازی سازنده A مطابق شکل (PA : فشار جزئی A و xA : جزء مولی A در مایع)، کدام گزینه نتیجه می شود؟



$$P_{A1} > P_{A2} \quad , \quad x_{A1} > x_{A2} \quad (1)$$

$$P_{A1} < P_{A2} \quad , \quad x_{A1} < x_{A2} \quad (2)$$

$$P_{A1} < P_{A2} \quad , \quad x_{A1} > x_{A2} \quad (3)$$

$$P_{A1} > P_{A2} \quad , \quad x_{A1} < x_{A2} \quad (4)$$

۵۶- برای یک تقطیر تعریف شده با غلظت محصولات مشخص، کاهش نسبت برگشت باعث کدام مورد می‌شود؟

- (۱) کاهش میزان محصول بالای برج
 (۲) افزایش میزان محصول پایینی برج
 (۳) کاهش تعداد سینی‌های لازم در برج تقطیر
 (۴) افزایش تعداد سینی‌های لازم در برج تقطیر

۵۷- هرگاه یک دیواره مسطح بین دو سیال با ضرایب انتقال گرمای جابه‌جایی برابر $250 \frac{W}{m^2 \cdot C}$ و $500 \frac{W}{m^2 \cdot C}$ قرار گرفته و

ضریب کلی انتقال گرما برابر $160 \frac{W}{m^2 \cdot C}$ باشد، کدام مورد نتیجه می‌شود؟

- (۱) ضخامت دیواره ناچیز است.
 (۲) چنین وضعیتی غیرممکن است.
 (۳) ضریب انتقال گرمای دیواره ناچیز است.
 (۴) اختلاف دما در دو طرف دیواره زیاد است.

۵۸- کدام وسیله می‌تواند پروفایل سرعت را در یک مقطع مولد کروی به دست آورد؟

- (۱) روتامتر
 (۲) ونتوری
 (۳) اوریفیس
 (۴) لوله پتیوت

۵۹- انتقال جرم از فاز گاز به مایع در شرایط پایا صورت می‌گیرد. رابطه تعادلی $y = x$ است. در صورتی که ضریب انتقال

جرم در فاز گاز $5 \frac{mol}{m^2 \cdot s}$ و در مایع $25 \frac{mol}{m^2 \cdot s}$ باشد، نسبت مقاومت در فاز گاز به مقاومت کل کدام است؟

- (۱) $\frac{1}{5}$
 (۲) $\frac{1}{4}$
 (۳) $\frac{1}{3}$
 (۴) $\frac{1}{2}$

۶۰- کدام شرط برای ایجاد خوردگی میکروبی، الزامی نیست؟

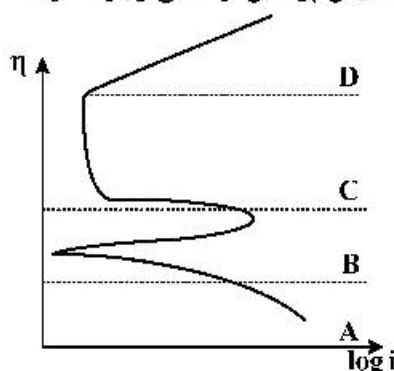
- (۱) دمای زیر $40^\circ C$
 (۲) حضور اکسیژن
 (۳) حضور یک ماده آلی
 (۴) $5 < pH < 9$

۶۱- اعمال حفاظت کاتدی و حفاظت آندی به معنی انتقال فلز در دیاگرام E/pH مربوطه است.

- (۱) به منطقه مصونیت
 (۲) به منطقه اثرناپذیری
 (۳) به ترتیب به مناطق مصونیت و اثرناپذیری
 (۴) به ترتیب به مناطق اثرناپذیری و مصونیت

۶۲- با توجه به شکل داده شده، با قراردادن پتانسیل فلز در کدام ناحیه، احتمال جدایش پوشش از سطح وجود دارد؟

- (۱) منطقه A
 (۲) منطقه B
 (۳) منطقه C
 (۴) منطقه D



۶۳- کدام گزینه در مورد خوردگی شکافی درست است؟

- (۱) در ترک‌های ایجاد شده در سطح فلز ایجاد می‌شود.
 (۲) در شکاف بین دو فلز غیر هم‌جنس ایجاد می‌شود.
 (۳) در شکاف بین فلز و یک غیرفلز ایجاد می‌شود.
 (۴) تمام موارد

- ۶۴ بیشترین اثر محافظتی اکسید فلزی بر سطح یک فلز در مقابل خوردگی در کدام فلز مشاهده می‌شود؟
 (۱) مس (۲) روی (۳) آهن (۴) آلومینیوم
- ۶۵- دو نمونه از فلزی از جنس آهن را با سطوح یکسان در الکترولیت‌هایی با غلظت‌های ۰/۰۱ و ۰/۰۰۱ مولار از یون آهن دو ظرفیتی قرار می‌دهیم و دو الکترولیت را نیز با دیواره‌ای متخلخل از یکدیگر جدا می‌نمائیم، اختلاف پتانسیل پیل حاصل چند ولت است؟

$$E_{\text{Fe}^{2+}/\text{Fe}}^{\circ} = -0/44 \text{ ولت}$$

- (۱) ۰/۰۳ (۲) ۰/۰۶ (۳) -۰/۰۳ (۴) -۰/۰۶

فیزیک جدید:

- ۶۶- اگر $\Delta \vec{r}$ فاصله مکانی دو رویداد و Δt فاصله زمانی آن دو در یک دستگاه ماند (اینرسی) باشند، حاصل کدام عبارت در تمام دستگاه‌های ماند، یکسان است؟

(۱) $(\Delta \vec{r})^2$ (۲) $(c\Delta t)^2$ (۳) $|\Delta \vec{r}| - (c\Delta t)$ (۴) $(\Delta \vec{r})^2 - (c\Delta t)^2$

- ۶۷- انرژی جنبشی یک ذره 250 MeV و تکانه آن $400 \text{ MeV}/c$ است. جرم سکون این ذره چند MeV/c^2 است؟

- (۱) ۷۸ (۲) ۱۹۵ (۳) ۳۵۰ (۴) ۴۴۵

- ۶۸- فرض کنید ساکن ذره A در مدت زمان $2 \times 10^{-8} \text{ s}$ به دو ذره B و C تلاشی می‌یابد. اگر نسبت به ناظر ذره A دارای انرژی جنبشی دو برابر انرژی سکون خود باشد، قبل از تلاشی این ذره تقریباً چند متر نسبت به آن ناظر حرکت می‌کند؟

- (۱) ۱/۸ (۲) ۵/۷ (۳) ۱۷ (۴) ۶۰

- ۶۹- فوتونی با انرژی F_i به الکترون ساکن آزادی برخورد می‌کند. بیشینه تکانه خطی که در این برخورد به این الکترون منتقل می‌شود، بر حسب F_i و F_o انرژی سکون الکترون، کدام است؟

(۱) $\frac{2E_i}{2E_i + E_o} \left(\frac{E_i}{c} \right)$

(۲) $\frac{2(E_i + E_o)}{2E_i + E_o} \left(\frac{E_i}{c} \right)$

(۳) $\frac{2(E_i - E_o)}{2E_i + E_o} \left(\frac{E_i}{c} \right)$

(۴) $\frac{2E_i - E_o}{2E_i + E_o} \left(\frac{E_i}{c} \right)$

۷۰- یک سفینه فضایی با تندی $v = 0.8c$ در حال دور شدن از زمین است. یک چشمه نورانی در پشت این سفینه نوری با طول موج ویژه $\lambda_0 = 500 \text{ nm}$ گسیل می‌کند. ناظر ساکن روی زمین، طول موجی که دریافت می‌کند چند نانومتر است؟

- (۱) ۱۰۰۰
(۲) ۱۵۰۰
(۳) ۲۵۰۰
(۴) ۴۵۰۰

۷۱- الکترونی با انرژی کل 1530 MeV در زمین دریافت می‌شود. که این الکترون از ستاره‌ای به فاصله 3.0 ly از زمین گسیل شده است. طول مسیر از دید ناظر ساکن روی الکترون چند سال نوری است؟ (جرم سکون الکترون $0.51 \text{ MeV}/c^2$ است.)

- (۱) 1×10^{-2}
(۲) 2×10^{-2}
(۳) 3.8×10^{-1}
(۴) 9.8×10^{-4}

۷۲- پرتوهای ایکسی با طول موج $2 \times 10^{-11} \text{ m}$ از یک هدف کربن پراکنده می‌شود و پرتوهای پراکنده شده با راستای پرتو تابشی زاویه 60° می‌سازند. طول موج پرتو پراکنده شده چند متر است؟

- (۱) 1.64×10^{-11}
(۲) 1.88×10^{-11}
(۳) 2.12×10^{-11}
(۴) 2.36×10^{-11}

۷۳- در طیف نور دریافتی از یک ستاره، فرکانس $2 \times 10^{14} \text{ Hz}$ داری بیشینه شدت است. اگر ستاره جسم سیاه فرض شود، دمای سطح آن چند درجه سانتی‌گراد است؟ (ثابت وین برابر $2.9 \times 10^{-2} \text{ m} \cdot \text{K}$ است.)

- (۱) ۱۶۶۰
(۲) ۱۹۳۳
(۳) ۵۵۲۷
(۴) ۵۸۰۰

۷۴- یک چشمه نور نقطه‌ای با توان 5 W امواجی با طول موج 600 nm گسیل می‌کند. یک صفحه فلزی با مساحت 30 mm^2 در فاصله 2 m از این چشمه قرار دارد. در مدت زمان ۳ دقیقه، تقریباً چند فوتون به این صفحه می‌رسد؟ ($hc = 2 \times 10^{-25} \text{ J} \cdot \text{m}$)

- (۱) 1.6×10^{15}
(۲) 2.7×10^{13}
(۳) 3.2×10^{15}
(۴) 5.4×10^{13}

۷۵- پتانسیل متوقف کننده فوتوالکترون‌های گسیل یافته از سطح فلزی که نوری با طول موج 500 nm به آن تابیده برابر 0.8 V است. اکنون طول موج تابشی تغییر می‌کند و پتانسیل متوقف کننده برابر 1.7 V می‌شود. طول موج جدید تقریباً چند نانومتر است؟

(۱) 1390

(۲) 781

(۳) 367

(۴) 250

۷۶- چه ولتاژ شتاب‌دهنده‌ای برای الکترون‌های درون میکروسکوپ الکترونی مورد نیاز است، تا همان توان تفکیکی به دست آید که از میکروسکوپ پرتو گاما با استفاده از پرتو گامای 0.24 MeV حاصل می‌شود؟

(۱) $1/2\text{ kV}$

(۲) 60 kV

(۳) 0.6 MV

(۴) $1/2\text{ MV}$

۷۷- انرژی جنبشی یک نوترون حرارتی برابر انرژی جنبشی متوسط یک ذره در دمای اتاق $T = 300\text{ K}$ است. طول موج دوبروی این نوترون تقریباً چند متر است؟ (جرم نوترون $940\text{ MeV}/c^2$ و ثابت بولتزمن $1.4 \times 10^{-23}\text{ J/K}$ است.)

(۱) $1/8 \times 10^{-6}$

(۲) $1/4 \times 10^{-10}$

(۳) $1/0 \times 10^{-12}$

(۴) $5/8 \times 10^{-15}$

۷۸- اتم پوزیترونیم حالت مقیدی از یک الکترون و یک پوزیترون است. انرژی و شعاع مدار حالت پایه این اتم بر حسب E_0 انرژی و a_0 شعاع مدار حالت پایه اتم هیدروژن به ترتیب کدامند؟

(۱) $E_0/2$ و $a_0/2$

(۲) $2E_0$ و $a_0/2$

(۳) $E_0/2$ و $2a_0$

(۴) $2E_0$ و $2a_0$

۷۹- نماد طیف‌نگاری یک اتم به شکل $F_{5/2}^4$ است. ممنتوم مداری (ℓ)، اسپین (s) و ممنتوم زاویه‌ای کل (j) این اتم کدامند؟

(۱) $\ell = 3$ ، $s = 5/2$ ، $j = 6$

(۲) $\ell = 4$ ، $s = 4$ ، $j = 5/2$

(۳) $\ell = 4$ ، $s = 2/2$ ، $j = 3$

(۴) $\ell = 3$ ، $s = 2/2$ ، $j = 5/2$

۸۰- در اتم کادمیوم یک خط طیفی مربوط به گذار $^1D_2 \rightarrow ^1P_1$ است. اگر این اتم در یک میدان مغناطیسی ثابت \vec{B} قرار گیرد، این خط طیفی به چند خط تجزیه (یا شکافته) می‌شود؟ (قانون انتخاب در گذارهای مجاز $\Delta m = 0, \pm 1$ است که m مؤلفه سوم ممنتوم زاویه‌ای کل است.)

(۲) 9

(۱) 3

(۴) 15

(۳) 12

- ۸۱- در چگونگی تولید و ویژگی‌های پرتوهای X تولید شده در یک لامپ پرتو X، کدام عبارت نادرست است؟
- (۱) در نمودار شدت برحسب طول موج پرتوی X تولید شده در لامپ پرتو X، یک طول موج کمینه وجود دارد که در طول موج‌های کوچک‌تر از آن شدت پرتو X صفر است.
- (۲) طیف پرتو X تولید شده در یک لامپ پرتو X، طیفی پیوسته است و بیشینه‌های آن از مشخصه‌های فلز هدف به‌شمار می‌آیند.
- (۳) الکترون‌های پرتوی به هدف فلزی مانند تنگستن برخورد کرده و در برخورد با آن متوقف شده و پرتو X تولید می‌شود.
- (۴) تولید پرتو X ناشی از برهم‌کنش کولنی میان الکترون‌های تابشی و الکترون‌های موجود در هدف فلزی است.
- ۸۲- نیمه عمر یک ماده رادیواکتیو ۱۰۰ روز است. این ماده که ذرات β با انرژی $5 \times 10^{-7} \text{ erg}$ گسیل می‌کند، برای راه‌اندازی یک سلول ترموالکتریک استفاده می‌شود. اگر بازده سلول ۱۰ درصد باشد، تقریباً چند مول ماده رادیواکتیو لازم است تا این سلول 5 W الکتریسیته تولید کند؟ ($\ln 2 = 0.7$)
- (۱) 2.0×10^{-2}
- (۲) 2.3×10^{-3}
- (۳) 2.3×10^{-7}
- (۴) 2.0×10^{-9}
- ۸۳- انرژی بستگی (binding) عنصر $^{162}_{65}\text{Eu}$ چند MeV است؟ جرم اتمی عنصر $^{162}_{65}\text{Eu}$ برابر 151.92 u ، جرم اتم هیدروژن 1.008 u و جرم نوترون 1.009 u و $930 \text{ MeV} / c^2 = 1 \text{ u}$ است.
- (۱) ۷۱۶۶۴
- (۲) ۵۱۱۹۷
- (۳) ۳۰۷۳۰
- (۴) ۱۰۶۷۰
- ۸۴- تعداد هشت الکترون در یک جعبه مکعبی شکل به ضلع L محبوس هستند. انرژی حالت پایه این مجموعه چند برابر $(\frac{h^2}{8m_e L^2})$ است؟ (از برهم‌کنش میان الکترون‌ها چشم‌پوشی شود و اسپین آن‌ها در نظر گرفته شود).
- (۱) ۲۱
- (۲) ۴۲
- (۳) ۴۷
- (۴) ۹۴
- ۸۵- کدام عبارت درباره سیستم‌های کوانتومی نادرست است؟
- (۱) انرژی یک سیستم کوانتومی نامعین (با انرژی کل مثبت) کوانتیده نیست.
- (۲) اصل عدم قطعیت فقط مربوط به مختصات مکان و تکانه مزدوج آن‌ها است و شامل دیگر کمیت‌های فیزیکی نمی‌شود.
- (۳) در حد اعداد کوانتومی بزرگ، تفسیر و توجیه رفتار سیستم براساس مکانیک کوانتومی و فیزیک کلاسیک با هم تطابق دارند.
- (۴) تابع موج یک سیستم کوانتومی کمیتی مختلط است که قدرمطلق آن به توان دو، چگالی احتمال یافتن ذره را در مکان و زمان معین می‌دهد.

شیمی فیزیک و ترمودینامیک:

۸۶- فشار بخار منگنز در دمای ۱۶۰۰ درجه سانتی‌گراد بر حسب اتمسفر کدام است؟ (گرمای نهان تبخیر منگنز ۵۳/۷ کیلوکالری بر مول و نقطه جوش آن، ۲۰۹۵ درجه سانتی‌گراد است.)

- (۱) ۰/۴۹
(۲) ۰/۷۸
(۳) ۱۱/۲
(۴) ۲۲/۳

۸۷- در یک تحول، یک مول آب در دمای ۳۰۰K مقداری حرارت از محیط گرفته و با سرعت بسیار پائین به بخار تبدیل شده است. تغییرات آنتروپی سیستم، محیط و کل چگونه است؟

- (۱) تغییر آنتروپی سیستم کاهش، تغییر آنتروپی محیط افزایش و تغییر آنتروپی کل صفر است.
(۲) تغییر آنتروپی سیستم افزایش، تغییر آنتروپی محیط کاهش و تغییر آنتروپی کل صفر است.
(۳) تغییر آنتروپی سیستم افزایش، تغییر آنتروپی محیط کاهش و تغییر آنتروپی کل مثبت است.
(۴) تغییر آنتروپی سیستم کاهش، تغییر آنتروپی محیط افزایش و تغییر آنتروپی کل مثبت است.

۸۸- در سیستم C (جامد)، CO (گاز)، CO_۲ (گاز)، Mo (جامد)، M (جامد)، اگر سه فاز در تعادل باشند، درجه آزادی کدام است؟

- (۱) ۰
(۲) ۱
(۳) ۲
(۴) ۳

۸۹- یک کیلوگرم مذاب فلز A با دمای ۱۰۰۰ کلوین و یک کیلوگرم مذاب فلز A با دمای ۸۰۰ کلوین را مخلوط می‌کنیم، اگر ظرفیت حرارتی مذاب فلز A در فشار ثابت، ۲۰۰ ژول بر کیلوگرم باشد، تغییرات آنتروپی ناشی از اختلاط حدوداً چند ژول است؟

$$\ln 1/1 = 0/12$$

$$\ln 0/9 = -0/11$$

- (۱) ۰
(۲) ۲
(۳) ۵/۵
(۴) ۸/۸

۹۰- معادله حالت یک گاز به صورت زیر داده شده است:

$$p(v-b) = RT + \frac{ap^2}{T}$$

که در آن a و b پارامترهای ثابت هستند. برای این گاز ضریب فوگاسیته برابر کدام گزینه است؟

$$\phi = \exp\left(-\frac{ap^2}{RT^2} + \frac{bp}{RT}\right) \quad (1)$$

$$\phi = \exp\left(-\frac{ap^2}{2RT^2} + \frac{bp}{RT}\right) \quad (2)$$

$$\phi = \exp\left(\frac{ap^2}{RT^2} + \frac{bp}{RT}\right) \quad (3)$$

$$\phi = \exp\left(\frac{ap^2}{2RT^2} + \frac{bp}{RT}\right) \quad (4)$$

۹۱- تغییرات G بر حسب T و H (میدان مغناطیسی) به صورت رابطه $dG = -SdT - MdH$ داده شده است. کدام یک از روابط زیر نادرست است؟

$$\left(\frac{\partial G}{\partial H}\right)_T = -M \quad (۱) \quad \left(\frac{\partial G}{\partial T}\right)_H = -S \quad (۲)$$

$$\left(\frac{\partial H}{\partial T}\right)_M = \left(\frac{\partial S}{\partial M}\right)_T \quad (۳) \quad \left(\frac{\partial M}{\partial T}\right)_H = \left(\frac{\partial S}{\partial H}\right)_T \quad (۴)$$

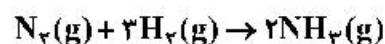
۹۲- سیستم آلیاژ سه تایی $Fe - Ag - Si$ را در نظر بگیرید. در این سیستم در دمای 1693 کلوین، Si بین فازهای غنی از آهن ($X_{Si}^{Fe-rich} = 0.350$) و فازهای غنی از نقره ($X_{Si}^{Ag-rich} = 0.08$) توزیع شده است. اگر $(\gamma_{Si}^{Ag-rich} = 0.1)$ باشد، ضریب اکتیویته Si در فاز غنی از آهن کدام است؟ (در هر دو محلول Si خالص را به عنوان حالت استاندارد در نظر بگیرید.)

$$0.026 \quad (۱) \quad 0.026 \quad (۲) \\ 0.375 \quad (۳) \quad 0.375 \quad (۴)$$

۹۳- در صورتی که انرژی آزاد گازی از رابطه $G = -3/5 nRT \ln T + nRT \ln P - 12/73 nRT + nbP - naP/RT$ به دست آید، آنگاه رابطه C_p برای گاز مذکور معادل کدام گزینه است؟ (می دانیم در رابطه فوق، P فشار، a و b دو عدد ثابت، T دما و V حجم گاز هستند.)

$$-3/5 nRT + 2naP/RT \quad (۱) \\ -3/5 nR - 2naP/RT^2 \quad (۲) \\ +3/5 nRT + 2naP/RT \quad (۳) \\ +3/5 nR + 2naP/RT^2 \quad (۴)$$

۹۴- تغییر آنتالپی یک مول NH_3 گازی در دمای $298K$ برابر $-46 kJ$ است. تغییر انرژی داخلی در دمای $298K$ برای واکنش زیر چند کیلوژول است؟



$$-10 kJ \quad (۱) \\ -87 kJ \quad (۲) \\ 100 kJ \quad (۳) \\ -120 kJ \quad (۴)$$

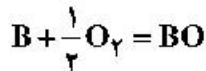
۹۵- اگر یک مول گاز تک اتمی در فشار $100 kPa$ به طور آدیاباتیک و بازگشت پذیر به دو برابر حجم اولیه اش منبسط شود، فشار نهایی و میزان کار به ترتیب کدام است؟

$$(2)^{1/67} = 3/17$$

$$35 kJ, 20 kPa \quad (۱) \\ 20 kJ, 40 kPa \quad (۲) \\ -100 kJ, 25 kPa \quad (۳) \\ -55/5 kJ, 31/5 kPa \quad (۴)$$

۹۶- اگر در آلیاژ دوتایی A-B مذاب در حالت استاندارد، مقدار ثابت هنری برای عنصر B برابر ۰/۵ باشد ($\gamma_B^0 = 0/5$)، مقدار اکتیویته B نسبت به استاندارد هنری در حالت جامد در صورتی که این آلیاژ با اکسیدهای BO و AO در فشار اکسیژن 10^2 اتمسفر و در دمای ۱۰۰۰ K در تعادل باشد، کدام است؟

$$e^{\gamma} = \gamma_{\gamma}$$



$$\Delta G^{\circ} = -4000 \text{ cal}$$

(۲) ۰/۰۵

(۱) ۰/۰۲۷

(۴) ۰/۸۵

(۳) ۰/۵

۹۷- پنج مول گاز در دمای ثابت ۶۰۰ K به صورت بازگشتناپذیر منبسط شده و حجم آن دو برابر می‌شود. مقدار کار انجام شده توسط سیستم برابر کدام گزینه است؟

(۲) $w = 1800R$

(۱) $w = 1200R$

(۴) $w = 2500R$

(۳) $w = 1500R$

۹۸- در دمای $T = 194^{\circ}C$ مقدار ΔG° واکنش $4Ag(s) + O_2(g) = 2Ag_2O(s)$ برابر با صفر می‌شود. نقره خالص در این دما و در هوا

(۲) اکسید نمی‌شود.

(۱) اکسید می‌شود.

(۴) در این شرایط نمی‌شود قضاوت نمود.

(۳) با اکسید نقره در حال تعادل است.

۹۹- براساس اصل صفرم ترمودینامیک، کدام عبارت نادرست است؟

(۱) دما معیار تعادل حرارتی است.

(۲) اگر دو جسم در تعادل حرارتی باشند دمای یکسان دارند.

(۳) تبادل گرما و کار در قالب انرژی داخلی بیان می‌شود.

(۴) اگر جسم A و جسم B در تعادل حرارتی باشند و جسم B با جسم C در تعادل حرارتی باشد، آنگاه جسم A و جسم C در تعادل حرارتی هستند.

۱۰۰- آلیاژ راندوم Fe-X حاوی ۵۰ درصد اتمی X، دارای ساختار bcc است. اگر اسپین اتم‌های آهن نیز راندوم باشد و اتم‌های X اسپین نداشته باشند، آنروپی اسپین این آلیاژ کدام است؟

(۴) $\frac{1}{2}R \ln 2$

(۳) $R \ln \frac{1}{2}$

(۲) $2R \ln 2$

(۱) $R \ln 2$

۱۰۱- جریان الکتریکی ۰/۵A از منبع تغذیه ۱۲ ولت به مدت ۳۰۰s از هیتر عبور کرده و ۱/۸ گرم آب تبخیر شده است. تغییر آنتالپی مولی فرایند تبخیر کدام است؟ $1AVS = 1J$

(۴) صفر

(۳) ۱۸kJ

(۲) ۳۵kJ

(۱) ۱۲۰kJ

۱۰۲- با توجه به اطلاعات زیر، رفتار محلول مورد نظر چگونه است؟

a_B	۰/۰۵۵	۰/۱۲۵	۰/۲۰۹	۰/۳۰۷	۰/۴۱۶
X_B	۰/۱	۰/۲	۰/۳	۰/۴	۰/۵
$\Delta \bar{s}_B^M \left(\frac{\text{cal}}{\text{K}} \right)$	۴/۵۷۵	۳/۱۹۸	۲/۳۹۲	۱/۸۲۱	۱/۳۷۷

(۲) ایدئال

(۱) هنری

(۴) غیرایدئال یا انحراف مثبت

(۳) باقاعده

۱۰۳- در دمای $T = 872K$ و فشار جزئی (N_p) معادل $P_p = 0.01 atm$ است. انحلال پذیری نیتروژن در Co (کیالت) معادل 0.06% است. اگر در همین دما، فشار جزئی نیتروژن $P_p = 0.5 atm$ باشد و غلظت آن در Co (کیالت) برابر با 0.5% شود. آنگاه کدام عبارت صحیح است؟ $(N_p = 2|N|)$

(۱) در این شرایط نیتروژن از کیالت خارج می شود و تغییرات انرژی آزاد واکنش عبارتست از $RT \ln 1/3$

(۲) در این شرایط نیتروژن از کیالت خارج نمی شود و تغییرات انرژی آزاد واکنش عبارتست از $-RT \ln 1/3$

(۳) در این شرایط نرخ ورود و خروج نیتروژن به کیالت یکسان و به تعادل رسیده است و تغییرات انرژی آزاد واکنش صفر است.

(۴) با اطلاعات موجود نمی توان درخصوص رفتار نیتروژن نتیجه گیری نمود.

۱۰۴- فشار بخار جزء A در محلول دو تایی A-B در دمای $1000K$ طبق جدول زیر به دست آمده است. اکتیویته جزء B در ترکیب شیمیایی $X_B = 0.7$ کدام است؟

X_A	۱	۰/۹	۰/۸	۰/۷	۰/۶	۰/۵	۰/۴	۰/۳	۰/۲	۰/۱
$P_A \times 10^{-6}$	۵	۴/۴	۳/۷۵	۲/۹	۱/۸	۱/۱	۰/۸	۰/۶	۰/۴	۰/۲

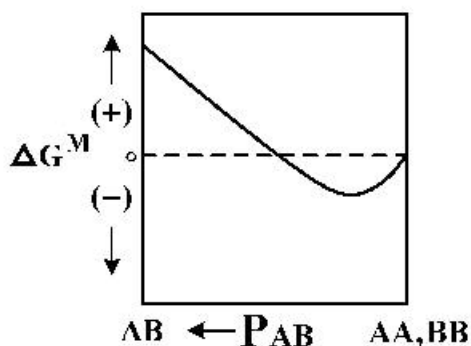
(۱) ۰/۶

(۲) ۰/۷

(۳) $2/9 \times 10^{-6}$

(۴) فشار بخار استاندارد مورد نیاز است.

۱۰۵- نمودار ΔG^M بر حسب تعداد باندهای AB (P_{AB}) برای یک محلول به صورت زیر رسم شده است. درخصوص این محلول کدام مورد درست است؟



(۱) محلول گرمازا بوده و افزایش دمای محلول تأثیری در تولید پیوندهای AA و BB ندارد.

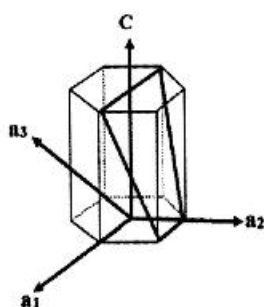
(۲) محلول گرماگیر بوده و با افزایش دمای محلول، محلول به سمت تولید پیوندهای AB پیش می رود.

(۳) محلول گرمازا بوده و با افزایش دمای محلول، محلول به سمت تولید پیوندهای AA و BB پیش می رود.

(۴) محلول گرماگیر بوده و با افزایش دمای محلول، محلول به سمت تولید پیوندهای AA و BB پیش می رود.

خواص فیزیکی و مکانیکی مواد:

۱۰۶- اندیس میلر - براوه صفحه بلوری نشان داده شده در شکل کدام است؟



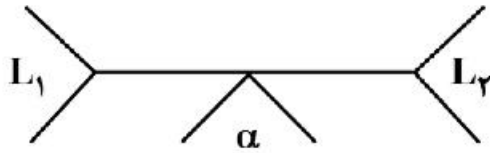
(۱) $(01\bar{1})$

(۲) $(10\bar{1})$

(۳) $(01\bar{1}\bar{1})$

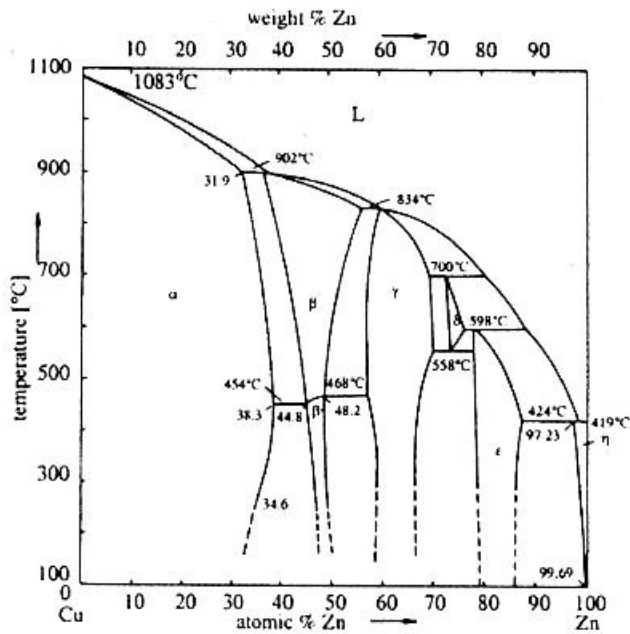
(۴) $(\bar{1}01\bar{1})$

۱۰۷- تحول هم دمای انجمادی زیر که در آن دو مایع در حین سرد شدن به یک جامد تبدیل می‌شوند، چه نام دارد؟



- (۱) پری تکتوئید
- (۲) مونوتکتیک
- (۳) سینتکتیک
- (۴) کانگروئنت

۱۰۸- در دیاگرام فازی آلیاژ مس - روی، چند فاز بین‌فیزی پایدار در دمای اتاق حضور دارد؟



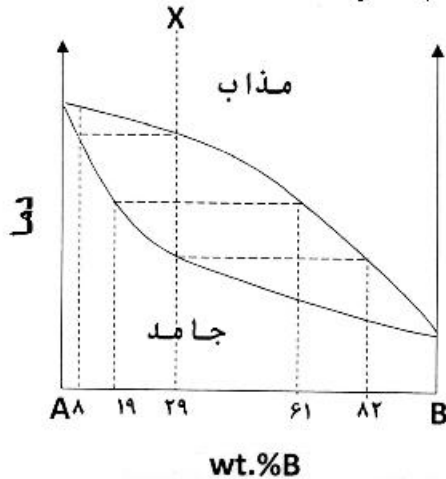
- (۱) ۰
- (۲) ۱
- (۳) ۲
- (۴) ۳

۱۰۹- در سیستم آلیاژی A-B یک واکنش یوتکتیک $L_{۱۳\%B} \rightarrow \alpha_{۵\%B} + \beta_{۹۲\%B}$ رخ می‌دهد. برای آلیاژ A-۸٪B

چند درصد فاز جامد در نتیجه انجماد یوتکتیکی تشکیل می‌شود؟

- (۱) ۹
- (۲) ۳۷/۵
- (۳) ۶۲/۵
- (۴) ۸۱

۱۱۰- غلظت اتم A در اولین جوانه‌های تشکیل شده در حین انجماد آلیاژ X چند درصد است؟



- (۱) ٪۸
- (۲) ٪۲۹
- (۳) ٪۸۱
- (۴) ٪۹۲

۱۱۱- کدام عبارت در خصوص فرایند آنیل صحیح است؟

- (۱) تبلور مجدد یک پدیده ناهمگن است.
- (۲) سرعت بازیابی تابع صعودی از زمان آنیل است.
- (۳) سرعت تبلور مجدد همواره با زمان افزایش می‌یابد.
- (۴) تغییر ساختار نابجایی‌ها در حین بازیابی تأثیر محسوسی بر مقاومت الکتریکی ندارد.

۱۱۲- کدام گزینه از اثرات افزایش دمای آستنیت‌کردن فولاد نیست؟

- (۱) افزایش سختی
 - (۲) افزایش سختی‌پذیری
 - (۳) افزایش اندازه بسته‌های مارتنزیت
 - (۴) همگن‌تر شدن ترکیب شیمیایی آستنیت
- ۱۱۳- در فرایند رسوب سختی، در صورتی که تشکیل جوانه‌ها به صورت همگن اتفاق بیفتد، کدام گزینه صحیح است؟
- (۱) کاهش دمای رسوب سختی سبب افزایش انرژی آزاد جوانه تشکیل شده می‌شود.
 - (۲) کاهش دمای رسوب سختی سبب کاهش شعاع بحرانی تشکیل جوانه می‌گردد.
 - (۳) کاهش دمای رسوب سختی سبب افزایش شعاع بحرانی تشکیل جوانه می‌گردد.
 - (۴) کاهش دمای رسوب سختی تأثیری روی شعاع بحرانی تشکیل جوانه ندارد.

۱۱۴- رابطه ضریب نفوذ بین نشینی و جاننشینی بر حسب ثابت شبکه (a) و فرکانس پرش (Γ) در یک شبکه FCC به ترتیب از راست به چپ کدام است؟

$$D = \frac{1}{6} \Gamma a^2, D = \frac{1}{12} \Gamma a^2 \quad (۱)$$

$$D = \frac{1}{12} \Gamma a^2, D = \frac{1}{24} \Gamma a^2 \quad (۲)$$

$$D = \frac{1}{6} \Gamma a^2, D = \frac{1}{6} \Gamma a^2 \quad (۴)$$

$$D = \frac{1}{12} \Gamma a^2, D = \frac{1}{12} \Gamma a^2 \quad (۳)$$

۱۱۵- کدام گزینه در مورد تحولات فازی نادرست است؟

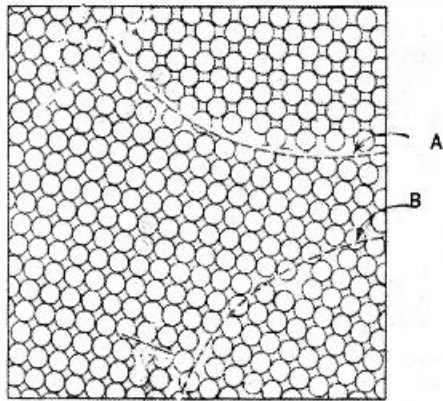
- (۱) تشکیل دوقلوبی یک تحول فازی نیست.
- (۲) تشکیل مارتنزیت یک تحول فازی همراه با جوانه‌زنی است.
- (۳) در تجزیه اسپینودال، نفوذ در راستای افزایش شیب غلظتی انجام می‌شود.
- (۴) تحولات فازی پیوسته در محلول‌هایی اتفاق می‌افتد که دیاگرام انرژی آزاد آن‌ها دارای تفرع مثبت است.

۱۱۶- کدام گزینه در مورد دمای تبدیل تودی به نرمی (NDT) درست است؟

- (۱) دمایی که شکست ۵۰٪ ترد باشد.
- (۲) دمایی که انرژی شکست ۱۵ ft-lb است.
- (۳) ریز شدن دانه‌ها این دما را کاهش می‌دهد.
- (۴) ریز شدن دانه‌ها این دما را افزایش می‌دهد.

۱۱۷- در مورد واکنش بین اتم‌های جاننشینی و بین‌نشینی با میدان تنش نابه‌جایی‌ها (و در نتیجه تأثیر بر تنش تسلیم) کدام گزینه درست است؟

- (۱) میدان تنش اتم‌های بین‌نشینی، فقط با میدان تنش نابه‌جایی پیچی واکنش انجام می‌دهد.
- (۲) میدان تنش اتم‌های جاننشینی، فقط با میدان تنش نابه‌جایی پیچی واکنش انجام می‌دهد.
- (۳) میدان تنش اتم‌های جاننشینی، با میدان تنش نابه‌جایی پیچی و لبه‌ای واکنش انجام می‌دهد.
- (۴) میدان تنش اتم‌های بین‌نشینی، با میدان تنش نابه‌جایی پیچی و لبه‌ای واکنش انجام می‌دهد.



۱۱۸- کدام گزینه در مورد دو مرز A و B در شکل زیر درست است؟

- (۱) مرز پر زاویه و B مرز کم زاویه است.
- (۲) مرز کم زاویه و B مرز پر زاویه است.
- (۳) A و B هر دو کم زاویه‌اند.
- (۴) A و B هر دو پر زاویه‌اند.

۱۱۹- افزایش انرژی نقص چیدگی در مواد دارای ساختار FCC چه تأثیری بر فاصله نابه‌جایی‌های جزئی شاکلی دارد؟

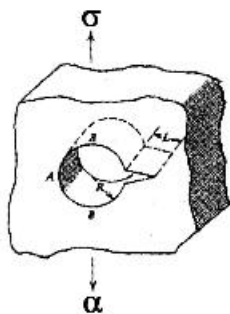
- (۱) فاصله بین نابه‌جایی جزئی شاکلی را کم می‌کند.
- (۲) فاصله بین نابه‌جایی جزئی شاکلی را زیاد می‌کند.
- (۳) بر فاصله بین نابه‌جایی‌های جزئی تأثیری ندارد.
- (۴) متناسب با شرایط می‌تواند فاصله نابه‌جایی‌های شاکلی را کم یا زیاد کند.

۱۲۰- کدام گزینه درست است؟

- (۱) سرعت تغییر شکل دوقلوبی شدن کمتر از لغزش است.
- (۲) در مکانیزم تغییر شکل دوقلوبی همه صفحات آن منطقه درگیر هستند.
- (۳) جهت‌گیری کریستال‌ها با فاصله گرفتن از صفحه دوقلوبی شدن تغییر نمی‌کند.
- (۴) همه موارد

۱۲۱- ترک L از سوراخ به شعاع R طبق شکل زیر جوانه می‌زند، با توجه به طول ترک L نسبت به R حد بالای ضریب

شدت تنش از کدام رابطه پیروی می‌کند؟



$$K \approx 1/12 \sigma \sqrt{(\pi L)} \quad (۱)$$

$$K \approx 1/12 (2\sigma) \sqrt{(\pi L)} \quad (۲)$$

$$K \approx 1/12 \sigma \sqrt{(\pi(L+R))} \quad (۳)$$

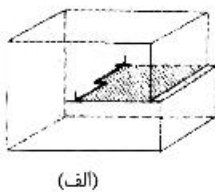
$$K \approx 1/12 (2\sigma) \sqrt{(\pi L/2)} \quad (۴)$$

۱۲۲- آهنگ خزش ماده‌ای با تنش و دما از رابطه $\dot{\epsilon}_s = B \sigma^n e^{-\Delta H_c/RT}$ پیروی می‌کند. نتایج تجربی در شرایط معینی

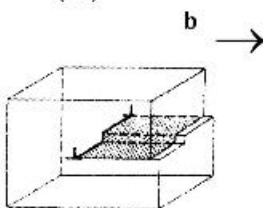
برای این ماده $n = 1$ و $\Delta H_c = \Delta H_{sd}$ را نشان می‌دهد. مکانیسم کنترل‌کننده خزش برای این ماده کدام است؟

- (۱) خزش نفوذی کوبل
- (۲) خزش نابه‌جایی دمای کم
- (۳) خزش نابه‌جایی دمای زیاد
- (۴) خزش نفوذی نابارو - هرینگ

۱۲۳- پله ایجاد شده روی خط نابه‌جایی شکل‌های زیر چه نام دارد؟



(الف)



(ب)

- (۱) هر دو شکل جاگ
- (۲) هر دو شکل کینک
- (۳) شکل الف کینک، شکل ب جاگ
- (۴) شکل الف جاگ، شکل ب کینک

۱۲۴- کدام مورد، در آزمایش کشش فلز نرم، بین نقطه تسلیم تا شروع گلوئی شدن درست است؟
 (۱) آهنگ کارسختی ثابت می‌ماند.

(۲) آهنگ کارسختی افزایش و در شروع گلوئی شدن مقدار آن با تنش برابر است.

(۳) آهنگ کارسختی کاهش و در شروع گلوئی شدن مقدار آن با تنش برابر است.

(۴) آهنگ کارسختی افزایش و در شروع گلوئی شدن مقدار آن از تنش بیشتر است.

۱۲۵- کدام گزینه در مورد خستگی پلیمرها درست است؟

(۱) مقاومت به رشد ترک پلیمرهای نیمه‌بلورین کمتر از پلیمرهای بی‌شکل است.

(۲) مقاومت به رشد ترک پلیمرهای نیمه‌بلورین بیشتر از پلیمرهای بی‌شکل است.

(۳) با افزایش وزن مولکولی، سرعت رشد ترک افزایش می‌یابد.

(۴) با افزایش وزن مولکولی، استحکام خستگی کاهش می‌یابد.

پدیده‌های انتقال (انتقال جرم، مکانیک سیالات، انتقال حرارت):

۱۲۶- منحنی تعادل یک سیستم در شرایط مشخص به صورت $y = (1+m)x$ داده شده است. نسبت شیب منحنی تعادل بر حسب Y به شیب منحنی تعادل بر حسب y در $x = 0.5$ کدام است؟

$$\frac{1}{(1+m)^2} \quad (1)$$

$$\frac{1-m}{1+m} \quad (2)$$

$$\frac{1+m}{1-m} \quad (3)$$

$$\frac{1}{(1-m)^2} \quad (4)$$

۱۲۷- در یک مخلوط گازی ایدئال (A, B) به فاصله $\Delta z = 1 \text{ cm}$ از $y_{A1} = 0.2$ به $y_{A2} = 0.1$ نفوذ با شدت مولی

یکسان صورت می‌گیرد ($D_{AB} = 0.2 \frac{\text{cm}^2}{\text{s}}$). سرعت نفوذی مولکول A در انتهای مسیر نفوذ چند $\frac{\text{mm}}{\text{s}}$ است؟

(۱) ۲

(۲) $\frac{2}{3}$

(۳) $\frac{1}{2}$

(۴) ۱

۱۲۸- زمان اقامت مایع در یک برج سینی‌دار غربالی در داخل ناودان (downcomer) در چه محدوده‌ای است؟

(۱) ۲۰ تا ۲۵ ثانیه (۲) ۳ تا ۸ ثانیه (۳) ۸ تا ۱۶ ثانیه (۴) ۱۶ تا ۲۰ ثانیه

۱۲۹- اگر در یک سیستم دو جزئی رابطه $N_A = \frac{C_T D_{AB}}{x_B} \frac{dx_B}{dz}$ برقرار باشد، سرعت متوسط مولی مخلوط (u^*) کدام است؟

$$\frac{D_{AB}}{x_A} \frac{dx_A}{dz} \quad (1)$$

$$\frac{D_{AB}}{x_A} \frac{dc_A}{dz} \quad (2)$$

$$\frac{D_{AB}}{x_B} \frac{dx_B}{dz} \quad (3)$$

$$\frac{D_{AB}}{x_B} \frac{dc_B}{dz} \quad (4)$$

۱۳۰- اگر y_i نشان دهنده غلظت حل شونده در فاز حلال و x_i نشان دهنده غلظت حل شونده در فاز آبی باشد به گونه ای که رابطه تعادلی $y_i = mx_i$ باشد، کدام یک از گزینه های زیر درست است؟
 (۱) مقاومت انتقال جرم به III بستگی ندارد.
 (۲) اگر m بزرگ باشد، مقاومت انتقال جرم در فاز حلال است.
 (۳) اگر m کوچک باشد، مقاومت انتقال جرم در فاز حلال است.
 (۴) اگر m کوچک باشد، مقاومت انتقال جرم در فاز آبی است.

۱۳۱- گاز پروپان طبق واکنش زیر در یک واکنش کاتالیزوری تجزیه می شود. کدام رابطه برای بیان شار مولی پروپان (N_A) درست است؟

$$C_3H_8 \xrightarrow{\text{کاتالیزور}} 3C \downarrow + 4H_2$$
 (A) (B) (C)

$$N_A = \frac{F}{4} \ln \frac{1+4y_{A2}}{1+4y_{A1}} \quad (2) \qquad N_A = \frac{-F}{6} \ln \frac{1+6y_{A2}}{1+6y_{A1}} \quad (1)$$

$$N_A = \frac{-F}{3} \ln \frac{1+3y_{A2}}{1+3y_{A1}} \quad (4) \qquad N_A = \frac{+F}{3} \ln \frac{1-3y_{A2}}{1-3y_{A1}} \quad (3)$$

۱۳۲- در طراحی برج های سینی دار غربالی، افزایش کشش سطحی مایع به شرطی که سایر پارامترها ثابت بمانند چه اثری بر سرعت طغیان و قطر برج دارد؟

- (۱) باعث افزایش سرعت طغیان و افزایش قطر برج می شود.
- (۲) باعث افزایش سرعت طغیان و کاهش قطر برج می شود.
- (۳) باعث کاهش سرعت طغیان و کاهش قطر برج می شود.
- (۴) باعث کاهش سرعت طغیان و افزایش قطر برج می شود.

۱۳۳- یک قطعه سنگ که در هوا جرم آن 140 kg است با دانسیته 2000 kg/m^3 به درون استخری از آب انداخته می شود. شخصی به درون آب رفته و تلاش می کند تا سنگ را بالا بیاورد. (دانسیته آب 1000 kg/m^3 و $g = 10 \text{ m/s}^2$ است). مقدار نیروی مورد نیاز شخص برای بالا بردن سنگ از کف استخر چند نیوتن است؟

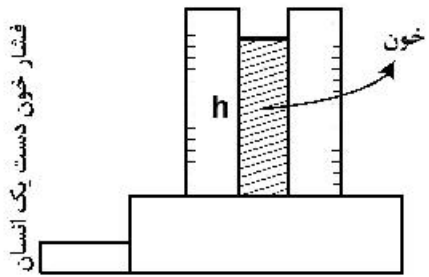
- (۱) ۵۰۰
- (۲) ۷۰۰
- (۳) ۱۳۰۰
- (۴) ۱۴۰۰

۱۳۴- در یک لوله که برای انتقال آب با دبی جرمی 10 cm^2 به 20 cm^2 افزایش می یابد. اگر ضریب اتلاف جزئی در انبساط ناگهانی لوله $0/5$ باشد، میزان افت فشار چند kPa است؟ ($\rho = 1000 \text{ kg/m}^3$)

- (۱) ۴
- (۲) ۸
- (۳) ۱۲
- (۴) ۱۶

۱۳۵- حداکثر فشار خون یک انسان سالم (فشار Systolic) در حدود 120 mmHg می باشد. یک لوله عمودی از یک طرف به اتمسفر و از طرف دیگر به رگ خون یک فرد متصل می شود. ارتفاعی که خون در این لوله عمودی بالا می رود (دانسیته خون 1000 kg/m^3 و دانسیته جیوه 13600 kg/m^3) چند متر است؟

- (۱) ۳/۶
- (۲) ۸/۵
- (۳) ۲/۴
- (۴) ۱/۶



۱۳۶- یک پمپ گریز از مرکز در بالای یک مخزن ذخیره بزرگ سر باز قرار دارد و آب موجود در مخزن را با نرخ حجمی $230 \frac{\text{gal}}{\text{min}}$ (معادل NPSH مجاز ۱۵ فوت) انتقال می‌دهد. مقدار کل افت انرژی بین سطح سیال مخزن و ورودی پمپ برابر ۶ فوت است. بیشترین میزان ارتفاعی که پمپ می‌تواند بالاتر از سطح سیال مخزن قرار گیرد تا بدون مواجه شدن با Cavitation به کار خود ادامه دهد، بر حسب فوت کدام است؟ (فشار مطلق $(P_v = 1.7 \frac{\text{lbf}}{\text{in}^2})$ و $\rho = 65 \frac{\text{lbm}}{\text{ft}^3}$ است.)

- (۱) ۷/۸ (۲) ۶/۸ (۳) ۵/۸ (۴) ۳/۸

۱۳۷- یک لوله موئینه با سطح مقطع مربع به ضلع a داخل یک مایع فرو برده می‌شود. اگر زاویه تماس مایع و لوله موئینه ϕ باشد، افزایش ارتفاع مایع داخل لوله موئینه کدام یک از گزینه‌های زیر است؟

$$h = \frac{\sigma_s \cos \phi}{2\rho ga} \quad (1)$$

$$h = \frac{4\sigma_s \cos \phi}{\rho ga} \quad (2)$$

$$h = \frac{2\sigma_s \cos \phi}{\rho ga} \quad (3)$$

$$h = \frac{\sigma_s \cos \phi}{4\rho ga} \quad (4)$$

۱۳۸- با توجه به شکل زیر اگر وزن مخصوص نسبی روغن ۰/۸ باشد، ارتفاع h چه مقدار باید باشد تا نیروی افقی وارد بر لوله استوانه‌ای شکل به قطر D صفر گردد؟



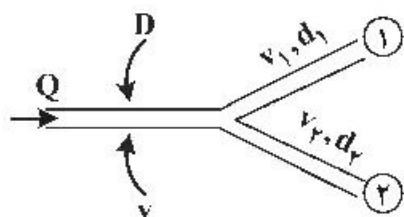
$$h = \frac{3}{4}D \quad (1)$$

$$h = \frac{D}{2} \quad (2)$$

$$h = \frac{5}{8}D \quad (3)$$

$$h = \frac{5}{4}D \quad (4)$$

۱۳۹- جریان سیال تراکم ناپذیر همانند شکل زیر به دو شاخه تقسیم می‌شود. اگر مساحت سطح مقطع لوله اصلی برابر با مجموع مساحت‌های سطوح مقاطع دو شاخه باشد و $v_1 = 2v_2$ و $d_2 = d_1\sqrt{2}$ باشد، نسبت $\frac{v}{v_1}$ کدام است؟



$$\frac{2}{3} \quad (1)$$

$$\frac{1}{2} \quad (2)$$

$$\frac{1}{\sqrt{2}} \quad (3)$$

$$\frac{1}{3} \quad (4)$$

۱۴۰- در انتقال حرارت ناپایا در دیواره‌ای به ضخامت ۲L، متغیر بی‌بعد درجه حرارت در دیواره جسم، در هر لحظه تقریباً برابر ۱ است، با توجه به رابطه زیر کدام گزینه صحیح است؟

$$\theta\left(\frac{x}{L}=1\right)=\frac{T\left(\frac{x}{L}=1\right)-T_{\infty}}{T_0-T_{\infty}}$$

(۱) درجه حرارت در این دیواره تابعی از زمان و مکان است.

(۲) درجه حرارت در این دیواره تابعی خطی از زمان است.

(۳) درجه حرارت در این دیواره تابعی سینوسی از زمان است.

(۴) فرمولاسیون Lumped برای دیواره قابل استفاده می‌باشد.

۱۴۱- در انتقال حرارت بین دو لوله هم‌محور برای محاسبه قطر معادل حرارتی در فضای بین دو جداره، محیط خیس شده حرارتی کدام است؟

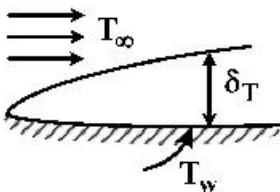
(۱) محیط داخلی لوله خارجی

(۲) محیط خارجی لوله داخلی

(۳) مجموع محیط خارجی لوله داخلی و محیط خارجی لوله خارجی

(۴) مجموع محیط خارجی لوله داخلی و محیط داخلی لوله خارجی

۱۴۲- کدام مورد در ارتباط با انتقال حرارت جابه‌جایی اجباری صحیح است؟



(۱) با حرکت سیال روی صفحه و رشد لایه مرزی حرارتی، ضریب انتقال حرارت جابه‌جایی موضعی و متوسط کم شده و انتقال حرارت کلی زیاد می‌شود.

(۲) رشد لایه مرزی حرارتی بستگی به عدد پراتل داشته و با حرکت روی صفحه، رشد لایه مرزی می‌تواند کم یا زیاد شود ولی در هر حالت ضریب انتقال حرارت موضعی، متوسط و انتقال حرارت زیاد می‌شود.

(۳) با حرکت سیال روی صفحه و رشد لایه مرزی حرارتی ضریب انتقال حرارت جابه‌جایی موضعی، متوسط و مقدار انتقال حرارت کلی کم می‌شوند.

(۴) با حرکت سیال روی صفحه و رشد لایه مرزی حرارتی ضریب انتقال حرارت جابه‌جایی موضعی کم شده ولی مقدار ضریب انتقال حرارت جابه‌جایی متوسط و مقدار انتقال حرارت زیاد می‌شود.

۱۴۳- کندانسور یک واحد تولید بخار براساس میعان بخار آب 40°C روی سطح لوله‌ها کار می‌کند. در این کندانسور، سیال سرد در دمای 20°C وارد لوله‌ها شده و در دمای 32°C از لوله‌ها خارج می‌شود. (سطح کلی انتقال حرارت برابر

40 m^2 ، ضریب کلی انتقال حرارت (U) برابر $\frac{2000\text{ W}}{\text{m}^2\text{ K}}$ و ظرفیت گرمایی سیال سرد برابر $\frac{4800\text{ J}}{\text{kg K}}$ است.)

دبی جرمی آب سرد (برحسب $\frac{\text{kg}}{\text{s}}$) به کدام گزینه نزدیک‌تر است؟ (عدد نپر (e) را برابر ۲/۵ در نظر بگیرید.)

(۱) ۱۷

(۲) ۱۶/۵

(۳) ۱۵

(۴) ۱۴/۵

۱۴۴- دو صفحه موازی خیلی بزرگ با ضرایب انتشار برابر $\epsilon = 0.1$ وجود دارد. صفحه اول در دمای 800K و صفحه دوم در دمای 400K است. پنج صفحه مشابه با ضرایب انتشار مساوی $\epsilon = 0.1$ در هر دو طرف، بین این دو صفحه موازی قرار داده می‌شود. مقدار خالص نرخ حرارت انتقال یافته به ازای واحد سطح صفحات برای این سیستم (برحسب $\frac{\text{W}}{\text{m}^2}$) کدام است؟

$$\sigma = 5.67 \times 10^{-8} \frac{\text{W}}{\text{m}^2 \text{K}^4}$$

(۱) ۱۶۸

(۲) ۱۷۴

(۳) ۱۸۰

(۴) ۱۹۰

۱۴۵- در محاسبات یک مبدل زوج لوله ناهمسو، چرا از LMTD استفاده می‌شود؟

(۱) چون گرادیان حرارتی در طول مبدل مقدار ثابتی نیست.

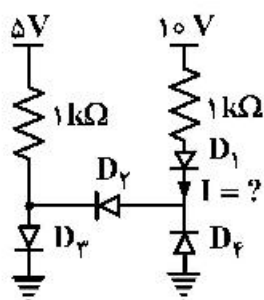
(۲) چون متوسط حسابی گرادیان در طول مبدل مقدار ثابتی است.

(۳) چون تفاضل دما در طول مبدل به صورت خطی تغییر می‌کند.

(۴) چون بتوان تفاضل دما در طول مبدل را به صورت متوسط هندسی تعریف کرد.

الکترونیک (۳و۱) و الکترومغناطیس مهندسی:

۱۴۶- در مدار زیر با فرض ایدئال بودن دیودها، مقدار جریان I چند میلی آمپر است؟



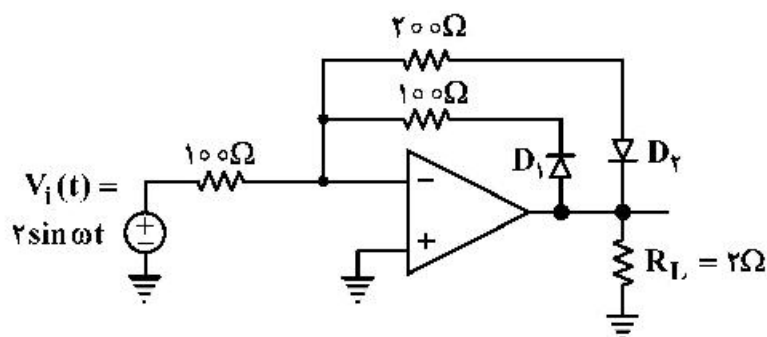
(۱) صفر

(۲) ۵

(۳) ۱۰

(۴) ۱۵

۱۴۷- در مدار زیر با فرض ایدئال بودن دیودها و آپ امپ، توان متوسط انتقالی به مقاومت بار R_L ، چند وات است؟



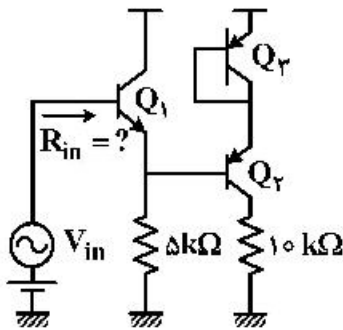
(۱) ۱

(۲) ۲.۵

(۳) ۴

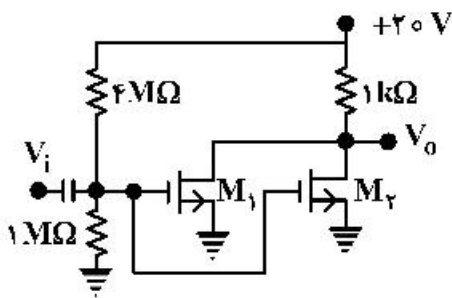
(۴) ۵.۵

۱۴۸- با فرض $V_A = \infty$ و $\beta = 100$ ، $I_{C1} = 0.5 \text{ mA}$ ، $I_{C2} = 1 \text{ mA}$ ، مقاومت ورودی (R_{in}) در مدار زیر، تقریباً چند کیلو اهم است؟



- (۱) ۱۸۰
- (۲) ۲۵۵
- (۳) ۲۵۰
- (۴) ۵۲۰

۱۴۹- بهره و تناژ مدار زیر، کدام است؟

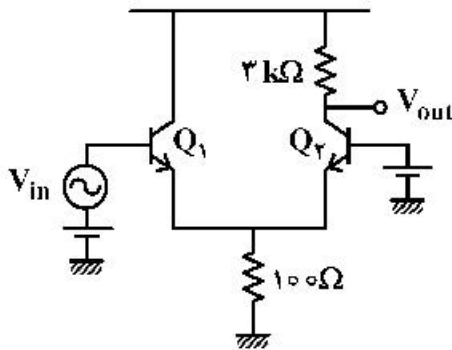


$$V_{T1} = 2 \text{ V}, \mu_n c_{ox} \left(\frac{W}{L} \right)_1 = \frac{4 \text{ mA}}{V^2}$$

$$V_{T2} = 2 \text{ V}, \mu_n c_{ox} \left(\frac{W}{L} \right)_2 = \frac{2 \text{ mA}}{V^2}$$

- (۱) -۴
- (۲) -۱۲
- (۳) -۱۶
- (۴) -۸

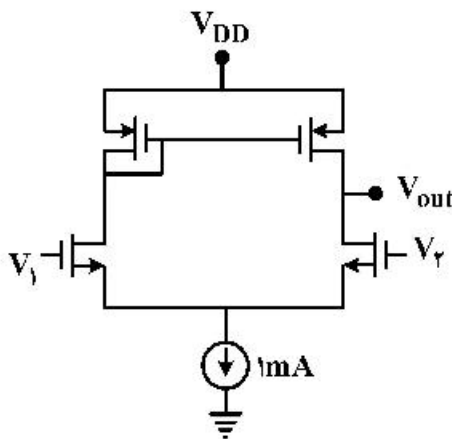
۱۵۰- با فرض اینکه جریان بایاس هر دو ترانزیستور در مدار زیر، 0.5 mA است، بهره و تناژ کدام است؟



(فرض کنید: $\beta = \infty$ و $V_A = \infty$ است.)

- (۱) ۳۰
- (۲) ۲۰
- (۳) ۱۵
- (۴) ۱۰

۱۵۱- در مدار زیر، بهره و تناژ $A_v = \frac{V_{out}}{V_i - V_T}$ کدام است؟



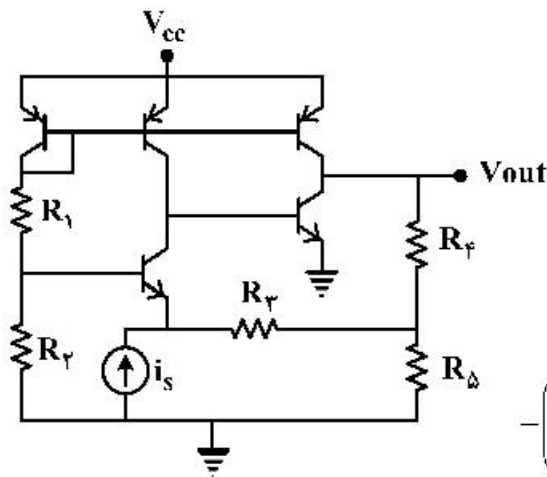
$$\lambda_n = 0.1 \text{ V}^{-1}$$

$$\lambda_p = 0.2 \text{ V}^{-1}$$

$$g_{mp} = 6 \frac{\text{mA}}{\text{V}}$$

$$g_{mp} = 3 \frac{\text{mA}}{\text{V}}$$

- (۱) ۲۰
- (۲) ۴۰
- (۳) ۸۰
- (۴) ۱۰۰



۱۵۲- در مدار زیر، مقدار تقریبی بهره $A = \frac{V_{out}}{i_s}$ ، کدام است؟

(فرض کنید: $\beta = \infty$ و $V_A = \infty$)

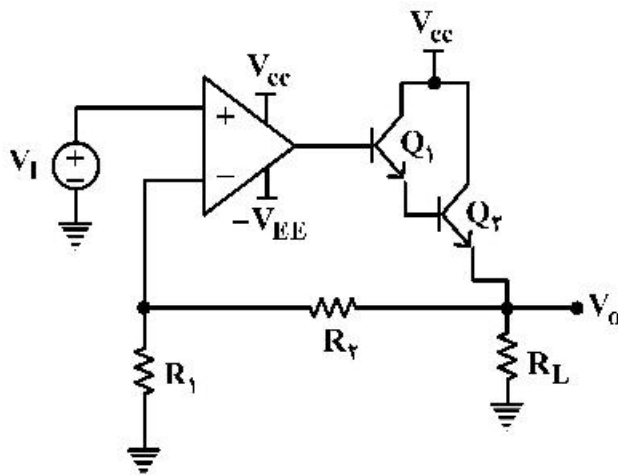
(۱) $-(R_r + R_f + \frac{R_r R_f}{R_d})$

(۲) $-(R_f + R_d + \frac{R_f R_d}{R_r})$

(۳) $-(R_r + R_f + (R_1 \parallel R_r) + \frac{\{R_r + (R_1 \parallel R_r)\} R_f}{R_d})$

(۴) $-(R_f + R_d + \frac{R_f R_d}{R_r + (R_1 \parallel R_r)})$

۱۵۳- در مدار زیر، مقدار V_o برحسب V_i ، کدام است؟



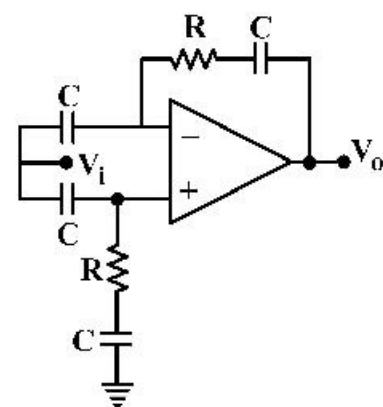
(۱) $V_o = V_i (1 - \frac{R_f}{R_1})$

(۲) $V_o = -\frac{R_f}{R_1} V_i$

(۳) $V_o = V_i (1 + \frac{R_f}{R_1})$

(۴) $V_o = -\frac{R_1}{R_f} V_i$

۱۵۴- با فرض ایدئال بودن OP-AMP، بهره $\frac{V_o}{V_i}$ ، کدام است؟



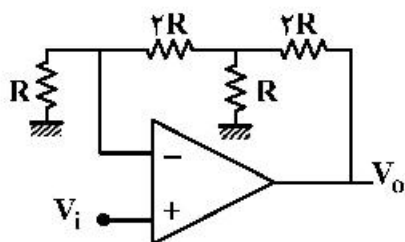
(۱) $-RCs$

(۲) $1 + RCs$

(۳) $\frac{RCs + 2}{RCs + 1}$

(۴) صفر

۱۵۵- بهره مدار زیر، کدام است؟



(۱) ۵

(۲) ۷

(۳) ۹

(۴) ۱۱

۱۵۶- پتانسیل در فاصله r از یک سیم طویل به شعاع a که با q_ℓ را در واحد طول حمل می‌کند ($\frac{C}{m}$) برابر است با:

این سیم تحت فاصله $a \gg b$ از یک صفحه طویل فلزی که پتانسیل آن صفر است، قرار دارد.

ظرفیت در واحد طول این سیستم کدام است؟

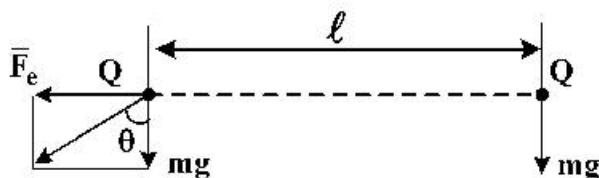
$$C = \frac{\pi}{\ln \frac{2b}{a}} \quad (۱)$$

$$C = \frac{2\pi}{\ln \frac{b}{a}} \quad (۲)$$

$$C = \frac{\pi}{2 \ln \frac{b}{a}} \quad (۳)$$

$$C = \frac{2\pi}{\ln \frac{b}{a}} \quad (۴)$$

۱۵۷- دوبار با جرم‌های m به فاصله ℓ از یکدیگر قرار گرفته‌اند. نیروی دافعه بین دو بار \bar{F}_e و نیروی ثقل زمین mg در یک صفحه قرار دارند. با در نظر گرفتن شکل زیر، زاویه θ بین نیروی دافعه و نیروی ثقل زمین برابر کدام مورد است؟



$$\theta = \tan^{-1} \frac{Q^2}{4\epsilon_0 \ell^2 mg} \quad (۱)$$

$$\theta = \tan^{-1} \frac{Q^2}{4\pi\epsilon_0 \ell^2 mg} \quad (۲)$$

$$\theta = \tan^{-1} \frac{Q^2}{2\epsilon_0 \ell^2 mg} \quad (۳)$$

$$\theta = \tan^{-1} \frac{Q^2}{2\pi\epsilon_0 \ell^2 mg} \quad (۴)$$

۱۵۸- یک سیم پیچ استوانه‌ای یکنواخت در خلاء دارای شعاع r_1 ، طول ℓ_1 و N_1 دور سیم است. هم‌محور و در مرکز این سیم پیچ، سیم پیچ کوچکتری با شعاع r_2 و طول ℓ_2 و N_2 دور سیم ($N_2 < N_1$) قرار گرفته است. اگر $r_1 \gg r_2$ و $\ell_2 \ll \ell_1$ بوده و جریان عبوری از سیم پیچ خارجی I_1 باشد، اندوکتانس متقابل این دو سیم پیچ کدام است؟

$$M = \mu_0 \frac{N_1 N_2}{\ell_1} \pi r_1^2 \quad (۱)$$

$$M = \mu_0 \frac{N_1 N_2}{\ell_2} \pi r_1^2 \quad (۲)$$

$$M = \mu_0 \frac{N_1 N_2}{\ell_1} \pi r_2^2 \quad (۳)$$

$$M = \mu_0 \frac{N_1 N_2}{\ell_2} \pi r_2^2 \quad (۴)$$

۱۵۹- یک کره هادی که دارای بار Q است را به دو نیم کرده ایم. چه نیروئی لازم است تا این دو نیمه را بهم متصل سازد؟ (شعاع کره را R فرض نمائید.)

$$F = \frac{Q^2}{4\pi\epsilon_0 R^2} \quad (۱)$$

$$F = \frac{Q^2}{16\pi\epsilon_0 R^2} \quad (۲)$$

$$F = \frac{Q^2}{32\pi\epsilon_0 R^2} \quad (۳)$$

$$F = \frac{Q^2}{64\pi\epsilon_0 R^2} \quad (۴)$$

۱۶۰- یک کابل هم محور به شعاع داخلی a و شعاع خارجی b از ماده‌ای به ثابت دی الکتریک ϵ و هدایت σ پر شده است. اگر طول کابل $b \gg \ell$ باشد، ظرفیت بین استوانه داخلی و خارجی کابل کدام است؟

$$C = \frac{\pi\epsilon\ell}{\ln \frac{b}{a}} \quad (۱)$$

$$C = \frac{2\pi\epsilon\ell}{\ln \frac{b}{a}} \quad (۲)$$

$$C = \frac{4\pi\epsilon\ell}{\ln \frac{b}{a}} \quad (۳)$$

$$C = \frac{8\pi\epsilon\ell}{\ln \frac{b}{a}} \quad (۴)$$

۱۶۱- یک خازن از سه پوسته نازک کروی هم مرکز با شعاع‌های a ، b و d ($a < b < d$) تشکیل شده است. کره‌های خارجی و داخلی با سیم نازک عایق داری از درون سوراخ کوچکی که در کره وسطی تعبیه شده، به یکدیگر متصل شده‌اند. ظرفیت سیستم برابر کدام گزینه است؟ (از اثرات سوراخ صرف نظر می‌شود.)

$$C = \frac{2\pi\epsilon_0 ad}{d-a} \quad (۲) \qquad C = \frac{2\pi\epsilon_0 ab}{d-a} \quad (۱)$$

$$C = \frac{4\pi\epsilon_0 ad}{d-a} \quad (۴) \qquad C = \frac{4\pi\epsilon_0 ab}{d-a} \quad (۳)$$

۱۶۲- دو کره فلزی هم مرکز به شعاع‌های a و b ($b > a$) توسط موادی با ثابت دی الکتریک ϵ و هدایت σ از یکدیگر جدا شده‌اند. در لحظه $t = 0$ ، بر روی کره داخلی بار الکتریکی Q به یکباره قرار داده می‌شود. کدام گزینه جریان عبوری از ماده را بر حسب زمان به درستی نشان می‌دهد؟

$$I(t) = \frac{\sigma Q}{\epsilon} e^{-\frac{\sigma t}{\epsilon}} \quad (۲) \qquad I(t) = \frac{\sigma Q}{\epsilon} e^{-\frac{\sigma t}{\epsilon}} \quad (۱)$$

$$I(t) = \frac{\sigma Q}{2\epsilon} e^{-\frac{\sigma t}{\epsilon}} \quad (۴) \qquad I(t) = \frac{\sigma Q}{2\epsilon} e^{-\frac{\sigma t}{\epsilon}} \quad (۳)$$

۱۶۳- دو بار $+Q$ و $-Q$ در نقاط $(x, y, z) = (a, 0, a), (-a, 0, a)$ بالای سطح هادی زمین شده $z = 0$ قرار دارند. کل نیروی وارده بر بار $+Q$ برابر کدام مورد است؟

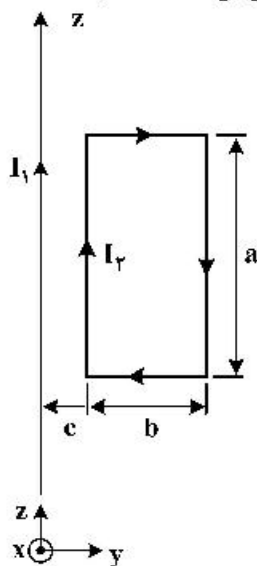
$$F = \frac{(\sqrt{2}-1)Q^2}{16\pi\epsilon_0 a^2} \quad (2)$$

$$F = \frac{\sqrt{2}Q^2}{16\pi\epsilon_0 a^2} \quad (1)$$

$$F = \frac{(\sqrt{2}-1)Q^2}{22\pi\epsilon_0 a^2} \quad (4)$$

$$F = \frac{\sqrt{2}Q^2}{22\pi\epsilon_0 a^2} \quad (3)$$

۱۶۴- سیم طولی با جریان I_1 بر روی محور Z ها مفروض است. حلقه مستطیلی با اضلاع نشان داده شده در شکل با جریان I_2 بر روی صفحه $x = 0$ و به فاصله c از سیم طویل I_1 و با اضلاع a و b مطابق شکل مفروض است. با در نظر گرفتن نیروی وارد بر اضلاع حلقه مستطیل شکل، نیروی وارده از سیم طویل بر حلقه کدام است؟



$$\bar{F} = \frac{\mu_0 I_1 I_2 ab}{2\pi b(a+b)} \bar{a}_y \quad (1)$$

$$\bar{F} = \frac{\mu_0 I_1 I_2 ab}{2\pi b(b+c)} \bar{a}_y \quad (2)$$

$$\bar{F} = \frac{-\mu_0 I_1 I_2 ab}{2\pi c(a+b)} \bar{a}_y \quad (3)$$

$$\bar{F} = \frac{-\mu_0 I_1 I_2 ab}{2\pi c(b+c)} \bar{a}_y \quad (4)$$

۱۶۵- یک دیپل با ممان $\bar{P}_1 = P_1 \bar{a}_z$ در مبدأ مختصات قرار دارد. دیپل دیگری با $\bar{P}_2 = P_2 \bar{a}_z$ در روی محور $+y$ ها و تحت فاصله r از مبدأ واقع شده است. میزان نیرویی که در جهت \bar{a}_z بر دیپل \bar{P}_2 توسط دیپل \bar{P}_1 اثر می‌کند، در کدام گزینه صحیح است؟

$$F_r = \frac{2 P_1 P_2}{2\pi \epsilon_0 r^2} \quad (1)$$

$$F_r = \frac{2 P_1 P_2}{4\pi \epsilon_0 r^2} \quad (2)$$

$$F_r = \frac{2 P_1 P_2}{4\pi \epsilon_0 r^4} \quad (3)$$

$$F_r = \frac{2 P_1 P_2}{2\pi \epsilon_0 r^4} \quad (4)$$