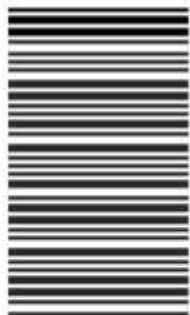


کد کنترل

259

F



259F

عصر پنجشنبه  
۹۷/۲/۶



«اگر دانشگاه اصلاح شود مملکت اصلاح می‌شود.»  
امام خمینی (ره)

جمهوری اسلامی ایران  
وزارت علوم، تحقیقات و فناوری  
سازمان سنجش آموزش کشور

آزمون ورودی دوره‌های کارشناسی ارشد ناپیوسته داخل - سال ۱۳۹۷

نانوفناوری - نانو مواد - کد (۱۲۷۳)

مدت پاسخگویی: ۲۱۰ دقیقه

تعداد سؤال: ۱۶۵

عنوان مواد امتحانی، تعداد و شماره سؤالات

ردیف	مواد امتحانی	تعداد سؤال	از شماره	تا شماره
۱	زبان عمومی و تخصصی (انگلیسی)	۳۰	۱	۳۰
۲	دروس اختصاصی	۱۵	۳۱	۴۵
۳		ریاضیات مهندسی	۲۰	۴۶
۴		شیمی کاربردی	۲۰	۶۶
۵		فیزیک جدید	۲۰	۸۶
۶	انتخاب یک	۲۰	۱۰۶	۱۲۵
۷	درس از سه	۲۰	۱۲۶	۱۴۵
۸		درس	۲۰	۱۴۶
	پدیده‌های انتقال (انتقال جرم، مکانیک سیالات، انتقال حرارت)			
	الکترونیک (۲و۱) و الکترومغناطیس مهندسی			

استفاده از ماشین حساب مجاز نیست.

این آزمون نمره منفی دارد.

حق چاپ، تکثیر و انتشار سؤالات به هر روش (الکترونیکی و...) پس از برگزاری آزمون، برای تمامی اشخاص حقیقی و حقوقی تنها با مجوز این سازمان مجاز می‌باشد و با متخلفین برابر مقررات رفتار می‌شود.

۱۳۹۷

\* داوطلب گرامی، عدم درج مشخصات و امضا در مندرجات جدول ذیل، به منزله عدم حضور شما در جلسه آزمون است.

اینجانب ..... با شماره داوطلبی ..... در جلسه این آزمون شرکت می‌نمایم.

امضا:

زبان عمومی و تخصصی (انگلیسی):

### PART A: Vocabulary

*Directions: Choose the word or the phrase (1), (2), (3), or (4) that best completes the blank. Then mark the correct choice on your answer sheet.*

- 1- Animal welfare science is an emerging field that seeks to answer questions ----- by the keeping and use of animals.  
1) raised                      2) resolved                      3) settled                      4) evolved
- 2- The low soil fertility problem can be ----- by applying the appropriate lime and organic fertilizers.  
1) traced                      2) preceded                      3) mitigated                      4) necessitated
- 3- The chef furnished his assistant with very explicit instructions regarding the ----- to be used for the new dish.  
1) properties                      2) aesthetics                      3) ceremonies                      4) ingredients
- 4- The problem of power cut was so important that we decided not to bother about the other ----- issues that were not much of a concern at that time.  
1) gradual                      2) peripheral                      3) tranquil                      4) lucrative
- 5- Everybody knows that Ted is a chronic procrastinator; he ----- puts off doing his assignments until the last minute.  
1) spontaneously                      2) marginally                      3) habitually                      4) superficially
- 6- The world's governments have made a joint ----- to significantly reduce greenhouse gas emissions by the year 2030.  
1) malady                      2) determination                      3) involvement                      4) pledge
- 7- Scientists do their best try to ----- themselves from their biases and be objective.  
1) detach                      2) delete                      3) ignore                      4) strengthen
- 8- The local businessman accused the newspaper of defaming him by publishing an article that said his company was ----- managed.  
1) seriously                      2) centrally                      3) poorly                      4) crucially
- 9- Landing a plane on an aircraft carrier requires a great deal of -----, as you can crash if you miss the landing zone by even a little bit.  
1) determination                      2) precision                      3) rationality                      4) consultation
- 10- New growth of the body's smallest vessels, for instance, enables cancers to enlarge and spread and contributes to the blindness that can ----- diabetes.  
1) cause                      2) halt                      3) identify                      4) accompany

**PART B: Cloze Passage**

*Directions: Read the following passage and decide which choice (1), (2), (3), or (4) best fits each space. Then mark the correct choice on your answer sheet.*

Estimates of the number of humans that Earth can sustain have ranged in recent decades from fewer than a billion to more than a trillion. (11) -----, since “carrying capacity” is essentially a subjective term. It makes little sense to talk about carrying capacity in relationship to humans, (12) ----- and altering both their culture and their physical environment, (13) ----- can thus defy any formula (14) ----- the matter. The number of people that Earth can support depends on (15) -----, on what we want to consume, and on what we regard as a crowd.

- 11- 1) It is probably unavoidable that such elasticity  
2) Such elasticity is probably unavoidable  
3) It is such elasticity probably unavoidable  
4) That it is probably unavoidable for such elasticity
- 12- 1) that adapt their capability  
2) whose capability is adapted  
3) who are capable of adaptation  
4) who are capable of adapting
- 13- 1) therefore  
2) because  
3) and  
4) next
- 14- 1) might settle  
2) might be settling  
3) that might settle  
4) which it might settle
- 15- 1) how we on Earth want to live  
2) Earth where we want to live  
3) where we want to live in on Earth  
4) where do we want to live on Earth

**PART C: Reading Comprehension**

*Directions: Read the following three passages and answer the questions by choosing the best choice (1), (2), (3), or (4). Then mark the correct choice on your answer sheet.*

**PASSAGE 1:**

Carbon nanotube yarns that can electrochemically convert tensile or torsional mechanical energy when submerged in electrolyte and stretched or twisted could herald the proliferation of wearable electronics, or even be used to harvest electricity from ocean waves.

The yarn, differs from normal capacitors by eliminating the need for external energy to add charges. With a conventional electrostatic capacitance harvester, you usually have to have external circuitry that applies charge and harvests the extra energy. When stretched, the volume of the yarn decreases, squeezing the nanotubes together. This decreases the electrochemical capacitance and generates current.

Referring to the yarn as twistrion harvesters, the principal advantage of the carbon nanotube yarns is eliminating the need for external voltage. The fact that you don't need to charge it was an unexpected result. The yarn intrinsically charges itself when you dip it in electrolyte because of the difference in chemical potential energy. The yarn ends up charged naturally - all you need to do is dip it in electrolyte, stretch and the power comes out.

The yarn was also tested off the coast surf, affixing a 10cm harvester yarn between the seabed and balloon at the water's surface to demonstrate the suitability of ocean water as an electrolyte. As waves arrived, the balloon would rise, stretching the yarn by up to 25% and generating electricity.

The yarn is capable of generating 250W/kg under optimal conditions - twisted 30 times a second while submerged in hydrochloric acid. No other reported harvester produces as much energy output per cycle. However, conversion efficiency remains a significant problem. The reason we get such a high power output is because we can put a lot of mechanical energy into this particular structure. But the actual conversion efficiency is quite low around the order of 1% mechanical to electrical.

- 16- How do traditional capacitors store electric charge?**
- 1) They can harvest energy.
  - 2) They have external circuitry.
  - 3) They store energy when submerged in electrolyte.
  - 4) They rely on energy input from external sources.
- 17- When nanotubes are pressed against one another in a conventional capacitance harvester, -----,**
- 1) the yarn is stretched
  - 2) charge carriers flow in the system
  - 3) electrochemical capacitors are generated
  - 4) current generates electrochemical capacitance
- 18- How does a twistrion harvester charge?**
- 1) It charges itself.
  - 2) It doesn't need charging.
  - 3) By dipping in electrolyte.
  - 4) By changing its chemical potential energy.
- 19- How much mechanical energy is required to generate maximum electrical power from 1g of twistrion harvester under optimum conditions – twisted 30 times a second while submerged in HCl?**
- 1) 0.25W                      2) 25W                      3) 250 kW                      4) 2500 W
- 20- What is the electrolyte when twistrion harvesters are dipped in ocean?**
- 1) Brine
  - 2) 10 cm yarn
  - 3) Suitability of ocean water
  - 4) The distance between seabed and balloon

**PASSAGE 2:**

Materials scientists have predicted and created two new magnetic materials using computational models. Traditionally, the process of discovering new magnetic materials is one of trial and error, but this approach shortens its length from decades to months, using computer models to screen potential materials and build prototypes.

Stefano Sanvito synthesized the new materials. Explaining the computer process, Sanvito said, 'Magnetism is an intrinsic effect of electrons going around atoms, but very rarely it manifests on a macroscopic scale. Computer calculations find the amount of

magnetic orientation for each atom and determine if there is an overall macroscopic effect.'

Magnets have various applications, forming key parts of electrical motors and electrical turbines that are used in the engines of hybrid cars, washing machines, lawn mowers and power drills, according to Sanvito.

However, magnets are rare - of the roughly 100,000 known inorganic compounds, only 200 are magnetic, and their use is limited by their properties such as magnetic permanence and critical temperature. As Sanvito explains, magnets should have critical temperatures - the temperature above which magnetism is lost, also known as the Curie temperature - of around 100°C above the temperature they are used at. They should also not contain toxic, radioactive or explosive elements, and be relatively inexpensive to produce.

The researchers focused on the Heusler alloys, a group of compounds known to contain several magnets. Sanvito said, 'It is a vast class - about 250 alloys have been officially reported, but probably about 1,000 have been made. We mapped all the possible chemical combinations, avoiding toxic, explosive and radioactive elements.'

Using 55 elements, the computers came up with 236,115 potential prototypes, which the researchers built atom-by-atom in a computational model, narrowing them down, by calculating the energy required by each, to 35,602 potentially stable compounds. The researchers then conducted a stability test - assessing whether a compound was able to resist decomposition into a simpler form. This shortened the list to 248, of which 22 demonstrated magnetic properties. Only 14 of these proved to be stable enough, with the other eight having competing alternative structures.

One of the materials synthesized by Sanvito was made of cobalt, manganese and titanium ( $\text{Co}_2\text{MnTi}$ ), while the other comprised manganese, platinum and palladium ( $\text{Mn}_2\text{PtPd}$ ). The latter material is antiferromagnetic, meaning that, while it has no internal magnetic moment, its electrons respond to external magnetic fields. This makes it difficult to predict. However, the team were able to do so. The Curie temperature of the first was predicted to be 940 kelvin (K), and turned out to be 938K. This high Curie temperature means the new material could be commercially viable.

Furthermore, the absence of rare earth elements in this new magnetic material is crucial. Rare earth elements are expensive and, with their supply monopolised by China, their price is volatile, according to Sanvito.

21- **The conventional method to discover new magnetic materials is when -----.**

- 1) new materials are trial and error
- 2) computer models screen potential materials
- 3) new magnetic materials are predicted and created
- 4) any new material suspected of having magnetic properties is tested for magnetism

22- **How do computers predict whether a material has magnetic properties?**

- 1) Computers determine if a material can exhibit overall magnetic properties by calculating magnetic orientation for each atom.
- 2) Computers exhibit the position of each atom and electrons that orbit around it.
- 3) Computers affect electrons and atoms intrinsically to show magnetism.
- 4) Computers determine overall macroscopic effect of magnetic materials.

- 23- If a magnet is intended to be used at room temperature, which temperature is the most suitable Curie temperature?  
 1)  $-75^{\circ}\text{C}$                       2)  $-25^{\circ}\text{C}$                       3)  $25^{\circ}\text{C}$                       4)  $400^{\circ}\text{C}$
- 24- Out of the last 22 compounds showing magnetic properties, 8 were eliminated. What was wrong with them?  
 1) They were likely to transform into other structures.  
 2) They alternatively competed with others.  
 3) Their structures were not competent.  
 4) They had to compete with structure.
- 25- Apart from computer predictions, how can we tell if a material is antiferromagnetic?  
 1) They are difficult to predict.  
 2) We can analyse for Mn, Pt, and Pd.  
 3) We have to apply a magnetic field.  
 4) We can check to see that it has no internal magnetic moment.

**PASSAGE 3:**

Depending on their structure, nano-based coatings very often fall under the definition of "nanocomposite" or "nanohybrid" materials. A nanocomposite / nanohybrid is a combination of several materials. Its material properties differ from the ones of its individual components. Thus it is possible, for instance, to combine contradictory properties like hardness and elasticity instead of hardness and brittleness.

Nanomaterial-containing coatings offer much better material and processing properties than conventional coatings. Nanomaterial additives in coatings are expected to replace halogenated flame retardants, which are hazardous to the environment. Nanocoatings are applied directly to the surface to be protected (glass, wood, metal, plastics or concrete). In the event of a fire, a ceramic layer is formed within seconds. It provides insulation against heat and drastically reduces the amount of smoke generated.

Other applications of specialty coating include products that have to meet strict requirements regarding transmittance and antireflection, e.g., glass covers for photovoltaic modules and solar water heaters or certain architectural and greenhouse applications. Anti-reflective coatings can increase the energy transmittance of glass by 6%.

Nanomaterial-containing coatings used on steel surfaces are expected to improve corrosion protection and replace chromate, which is hazardous to the environment.

- 26- This passage is mainly about -----.  
 1) use of nanomaterials in coating  
 2) the various applications of nanomaterials  
 3) the new properties of nanomaterials  
 4) manufacturing of the nanomaterials
- 27- A nanocomposite is a/an -----.  
 1) material with contradictory properties  
 2) anti-pollution combination made artificially from one individual material  
 3) compound that its properties is different from its individual compounds  
 4) combination of several materials that preserves the properties of its components

- 28- **halogenated flame retardants, as referred in the passage, -----**  
 1) are additives applied to nanomaterials  
 2) are environmentally dangerous compounds  
 3) offer much better materials than conventional ones  
 4) are materials having the same properties as nanomaterials
- 29- **Nano material-containing coatings -----**  
 1) reduce the destructive effects of materials  
 2) replace chromate to increase the energy transmittance of steel  
 3) cover the surface of materials to increase their durability  
 4) provides a similar insulated layer directly on all materials
- 30- **The underlined word "drastically" in the passage means -----**  
 1) extremely                      2) differently                      3) relatively                      4) likely

ریاضیات مهندسی:

۳۱- اگر مرز ساده بسته C به صورت  $|z| = \frac{1}{2}$  و در جهت مثبت باشد، آنگاه مقدار  $\oint_C \frac{e^z}{z^4 + z^3} dz$  کدام است؟

- (۱)  $2\pi i$   
 (۲)  $\pi i$   
 (۳)  $-\pi i$   
 (۴)  $-2\pi i$

۳۲- اگر f یک تابع تحلیلی بر دایره  $|z|=2$  و درون آن باشد، مقدار انتگرال  $\oint_{|z|=2} z^2 \bar{z} (1 + f'(z)) dz$  کدام است؟

- (۱)  $\pi i (1 + f'(0))$   
 (۲)  $\pi i f'(0)$   
 (۳)  $\pi i f(0)$   
 (۴) صفر

۳۳- تبدیل فوریه کسینوسی تابع  $f(x) = e^{-\frac{1}{3}x}$  کدام است؟

- (۱)  $\sqrt{\frac{2}{\pi}} \left( \frac{3}{1+9\lambda^2} \right)$   
 (۲)  $\sqrt{\frac{2}{\pi}} \left( \frac{1}{1+9\lambda^2} \right)$   
 (۳)  $\sqrt{\frac{2}{\pi}} \left( \frac{1}{9+\lambda^2} \right)$   
 (۴)  $\sqrt{\frac{2}{\pi}} \left( \frac{3}{9+\lambda^2} \right)$

۳۴- در معادله دیفرانسیل با مشتقات جزئی  $xu_{xx} + yu_{yy} + 2y^2u_y = 0$ ، کدام مورد صدق می‌کند؟

(۱) در ناحیه  $xy < 0$  بیضوی و در ناحیه  $xy > 0$ ، هذلولوی است.

(۲) در ناحیه  $xy < 0$  هذلولوی و در ناحیه  $xy > 0$ ، سهموی است.

(۳) در ناحیه  $xy < 0$  هذلولوی و در ناحیه  $xy > 0$ ، بیضوی است.

(۴) در ناحیه  $xy < 0$  سهموی و در ناحیه  $xy > 0$ ، بیضوی است.

۳۵- اگر  $f(x) = \begin{cases} e^{-x} & 0 \leq x < \infty \\ 0 & \text{سایر جاها} \end{cases}$ ، حاصل انتگرال  $\int_0^{\infty} \frac{\cos 2x + x \sin 2x}{1+x^2} dx$ ، کدام است؟

(۱)  $\pi e^{-2}$

(۲)  $\frac{1}{\pi e^2}$

(۳)  $2\pi e^{-2}$

(۴)  $\frac{1}{2\pi e^2}$

۳۶- اگر  $n$  یک عدد طبیعی باشد، مقدار انتگرال  $\oint_{|z|=1} z^{n+1} e^{\left(\frac{1}{z^2}\right)} dz$ ، در جهت مثبت کدام است؟

(۱)  $\frac{\pi i}{(2n+1)!}$

(۲)  $\frac{\pi i}{(n+1)!}$

(۳)  $\frac{2\pi i}{(2n+1)!}$

(۴)  $\frac{2\pi i}{(n+1)!}$

۳۷- جواب معادله دیفرانسیل با مشتقات جزئی  $u_{xx} - 5u_{xy} + 6u_{yy} = 0$ ، کدام است؟

(۱)  $u(x, y) = f\left(x - \frac{y}{2}\right) + g\left(x - \frac{y}{3}\right)$

(۲)  $u(x, y) = f(x - 2y) + g(x - 3y)$

(۳)  $u(x, y) = f\left(x + \frac{y}{2}\right) + g\left(x + \frac{y}{3}\right)$

(۴)  $u(x, y) = f(x + 2y) + g(x + 3y)$



۳۸- اگر سری فوریه تابع  $f(x) = \frac{\pi}{2} - |x|$  در فاصله  $-\pi < x < \pi$  برابر  $(\cos x + \frac{1}{9} \cos 3x + \frac{1}{25} \cos 5x + \dots)$  باشد،

مقدار مجموع  $1 + \frac{1}{9} + \frac{1}{25} + \frac{1}{49} + \dots$  کدام است؟

(۱)  $\frac{\pi^2}{16}$

(۲)  $\frac{\pi^2}{8}$

(۳)  $\frac{\pi^2}{2}$

(۴)  $\pi^2$

۳۹- اگر  $u(x, t)$  جواب معادله گرمای  $u_t - 4u_{xx} = 1$ ، در فاصله  $0 < x < 1$  و  $t > 0$  با شرط اولیه  $u(x, 0) = 0$  و شرایط

کرانه‌ای  $u(0, t) = u(1, t) = t$  باشد، تبدیل لاپلاس  $u(x, t)$  کدام است؟

(۱)  $\frac{1}{s^2} (e^{\sqrt{s}x} - e^{-\sqrt{s}x})$

(۲)  $\frac{1}{s^2} (e^{\sqrt{s}x} + e^{-\sqrt{s}x})$

(۳)  $\frac{1}{s^2}$

(۴)  $-\frac{1}{s^2}$

۴۰- معادله موج  $u_{tt} - u_{xx} = 0$  با تغییر متغیر  $r = x + t$ ،  $s = x - t$ ، به کدام یک از معادلات زیر تبدیل می‌شود؟

(۱)  $u_{rs} + u_r = 0$

(۲)  $u_{rs} = 0$

(۳)  $u_{rr} = 0$

(۴)  $u_{ss} = 0$

۴۱- بسط لوران تابع  $f(z) = \frac{z+3}{z+2}$  در ناحیه  $|z| > 2$ ، حول نقطه  $z = 0$ ، کدام است؟

(۱)  $1 - \frac{1}{z^2} - \frac{2}{z^4} + \frac{4}{z^6} - \frac{8}{z^8} + \dots$

(۲)  $1 + \frac{1}{z} + \frac{2}{z^2} + \frac{4}{z^3} + \frac{8}{z^4} + \dots$

(۳)  $1 + \frac{1}{z^2} - \frac{2}{z^4} + \frac{4}{z^6} - \frac{8}{z^8} + \dots$

(۴)  $1 + \frac{1}{z} - \frac{2}{z^2} + \frac{4}{z^3} - \frac{8}{z^4} + \dots$

۴۲- نقش تصویر ناحیه محدود به خطوط  $x=0, x=\frac{\pi}{4}, y=0$  و  $y=1$  توسط نگاشت  $w = u + iv = e^{-z}$  کدام است؟

(۱) ناحیه محصور  $e^{-2} \leq u^2 + v^2 \leq 1$  واقع در ربع چهارم

(۲) ناحیه محصور  $1 \leq u^2 + v^2 \leq e^4$  واقع در ربع چهارم

(۳) ناحیه محصور  $1 \leq u^2 + v^2 \leq e^4$  واقع در ربع اول

(۴) ناحیه محصور  $e^{-2} \leq u^2 + v^2 \leq 1$  واقع در ربع اول

۴۳- جواب مسأله لاپلاس  $\left\{ \begin{array}{l} u_{xx} + u_{yy} = 0 \quad 0 < y < \pi, x > 0 \\ u(0, y) = 1 \quad 0 \leq y \leq \pi \\ u(x, 0) = u(x, \pi) = 0 \quad x \geq 0 \\ \lim_{x \rightarrow +\infty} u(x, y) = 0 \end{array} \right.$  کدام است؟

$$u(x, y) = \sum_{n=1}^{\infty} \frac{2((-1)^n + 1)}{n\pi} e^{-nx} \sin(ny) \quad (۱)$$

$$u(x, y) = \sum_{n=1}^{\infty} \frac{2((-1)^n + 1)}{n\pi} e^{-nx} \cos(ny) \quad (۲)$$

$$u(x, y) = \sum_{n=1}^{\infty} \frac{2((-1)^{n+1} + 1)}{n\pi} e^{-nx} \sin(ny) \quad (۳)$$

$$u(x, y) = \sum_{n=1}^{\infty} \frac{2((-1)^{n+1} - 1)}{n\pi} e^{-nx} \cos(ny) \quad (۴)$$

۴۴- تابع پتانسیل  $u(r, \theta)$  که جواب مسأله لاپلاس  $u_{rr} + \frac{1}{r}u_r + \frac{1}{r^2}u_{\theta\theta} = 0$  در دامنه دایره‌ای شکل  $x^2 + y^2 < 4$

تحت شرایط کرانه‌ای  $u(2, \theta) = 2 \sin(2\theta)$  قرار دارد، کدام است؟

$$u(r, \theta) = \Delta r^2 \sin(2\theta) \quad (۱)$$

$$u(r, \theta) = 1 \cdot r \sin(\theta) \quad (۲)$$

$$u(r, \theta) = \sum_{n=1}^{\infty} \frac{1}{n^2 r^n} \sin n\theta \quad (۴)$$

$$u(r, \theta) = \sum_{n=1}^{\infty} \frac{1}{nr^n} \sin n\theta \quad (۳)$$

۴۵- تابع مختلط  $f(z) = x^2 + iy^2$  در کدام نقاط صفحه مختلط، تحلیلی است؟

(۱) فقط در مبدأ

$$\{(1+i)x, x \in \mathbb{R}\} \quad (۲)$$

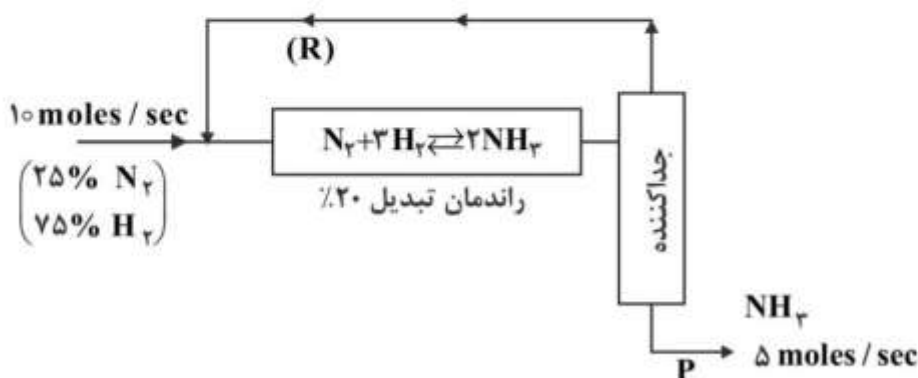
$$\{(1-i)x, x \in \mathbb{R}\} \quad (۳)$$

(۴) تابع  $f$  در هیچ‌یک از نقاط صفحه مختلط، تحلیلی نیست.

شیمی کاربردی:

- ۴۶- در کدام حالت زیر، بیشترین درجه حرارت تئوری شعله یک سوخت هیدرو کربنی به دست می آید؟  
 (۱) احتراق کامل با ۵۰٪ هوای اضافی  
 (۲) احتراق کامل با ۲۵٪ هوای اضافی  
 (۳) احتراق کامل با ۱۰٪ هوای اضافی  
 (۴) احتراق کامل با مقدار استوکیومتری هوا
- ۴۷- در یک واکنش شیمیایی همراه با عمل Recycle و مطابق شکل مقدار R بر حسب مول بر ثانیه کدام است؟

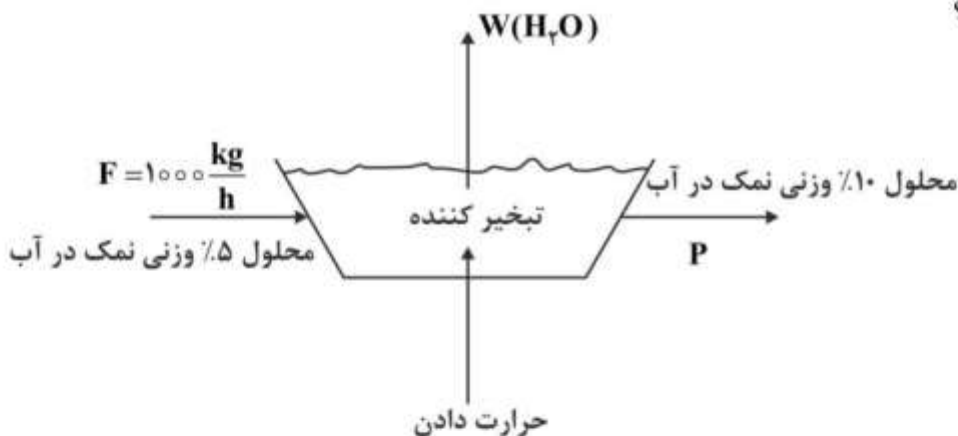
- (۱) ۴۰  
 (۲) ۳۵  
 (۳) ۳۲  
 (۴) ۲۵



- ۴۸- در یک تبخیرکننده، مطابق شکل محلول رقیق آب نمک غلیظتر می گردد، مقدار محصول به دست آمده (P)

بر حسب  $\frac{kg}{hr}$  کدام است؟

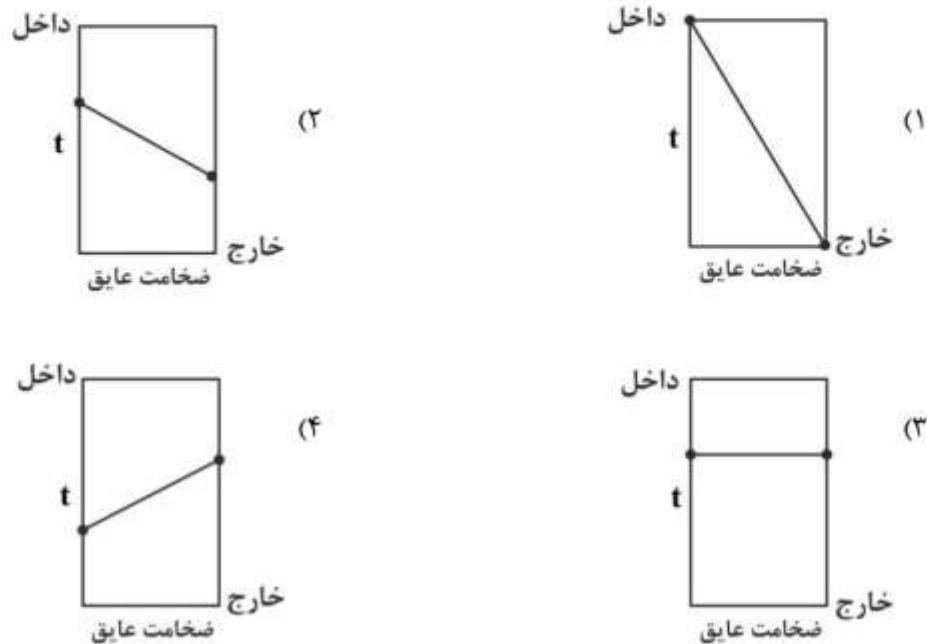
- (۱) ۲۵۰  
 (۲) ۴۰۰  
 (۳) ۵۰۰  
 (۴) ۷۵۰



- ۴۹- افت فشار در لوله‌های مدور به دلیل اصطکاک با دیوار لوله با چه توانی از سرعت تبعیت می کند؟

- (۱)  $u^1$   
 (۲)  $u^2$   
 (۳)  $\frac{1}{u^2}$   
 (۴)  $\frac{2}{u^2}$

۵۰- پروفایل درجه حرارت در عایق پوشاننده یک دیواره کوره داده شده است و برای ۴ عایق متفاوت در شرایط یکسان کوره ارائه گردیده است. کدام مورد لایه عایق بهتری دارد؟



۵۱- در یک برج تقطیر دوجزئی سینی دار، معادله دوخط تبادل (Operating line) از بالا به پایین برج به ترتیب به صورت  $y = 0.6x + 0.3$  و  $y = 1.3x - 0.05$  است. اگر جزء مولی خوراک ورودی  $x = 0.55$  باشد، حالت ترمودینامیکی خوراک ورودی چه بوده است؟ (X جزء مولی عنصر فرارتر می باشد و فشار یک اتمسفر است).

(۱) بخار اشباع

(۲) مایع در نقطه جوش

(۳) مخلوط مایع و بخار

(۴) مایع سردتر از نقطه جوش

۵۲- در تبخیر ساده یا جزئی (Simple or partial vaporization) نحوه تغییرات درجه حرارت دیگ جوش پس از جوش آمدن مایع چگونه است؟ (مخلوط مایع دوجزئی بوده و ایدئال هستند).

(۱) مرتب درجه حرارت افزایش می یابد.

(۲) سیستم پیوسته است و درجه حرارت تغییر نمی کند.

(۳) ابتدا درجه حرارت تغییر کرده و سپس تا پایان کار ثابت باقی می ماند.

(۴) در ابتدای جوش درجه حرارت ثابت است و پس از مدتی تغییر می کند و سپس تا پایان تبخیر ثابت باقی می ماند.

۵۳- برای گرفتن رطوبت از هوا، کدام مورد درست است؟

(۱) اگر هوا را کاهش فشار داده و خنک کنیم، در زمان میعان بخار آب، درجه حرارت هوا ثابت باقی می ماند.

(۲) اگر هوا را افزایش فشار داده و خنک کنیم، در زمان میعان بخار آب، درجه حرارت هوا ثابت باقی می ماند.

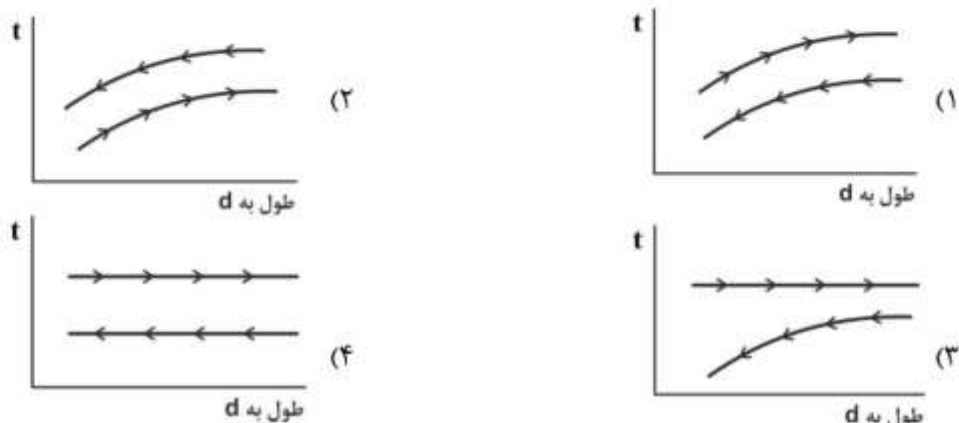
(۳) اگر هوا را در فشار ثابت خنک نمائیم و تا مرحله میعان بخار آب و جداسازی آب مایع از هوا پیش برویم در زمان میعان بخار آب هوا با درجه حرارت ثابت باقی می ماند.

(۴) مخلوط هوا و بخار آب را از یک بستر جاذب بخار آب عبور می دهیم و اگر مقدار بخار آب کم باشد، جذب بخار آب تقریباً در درجه حرارت ثابت انجام خواهد شد.

۵۴- کدام یک از پدیده‌های زیر می‌توانند تنها به کمک معادلات نفوذ مولکولی مورد بررسی قرار گیرند و میزان انتقال را محاسبه نمود؟

- (۱) حرکت مولکول‌های  $NH_3$  گازی از یک شیشه آمونیاک در باز در یک آزمایشگاه محدود و بسته
- (۲) خشک کردن با عبور هوا
- (۳) برج‌های جذب
- (۴) برج‌های تقطیر

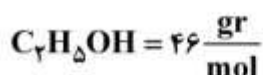
۵۵- برای یک مبدل حرارتی متقابل پیوسته که یک سیال گرم، سیال دیگری را گرم کرده و خود خنک می‌شود، کدام توزیع  $t$  در طول مبدل درست است؟



۵۶- در کدام روش هوادهی در واحد لجن فعال بالاترین مقدار حذف آمونیاک اتفاق می‌افتد؟

- (۱) هوادهی ممتد
- (۲) هوادهی عادی
- (۳) هوادهی مرحله‌ای
- (۴) هوادهی تثبیت و تماس

۵۷- محلولی حاوی ۳۰۰ میلی‌گرم در لیتر اتانول است. COD تئوریک این محلول چند میلی‌گرم در لیتر است؟



- (۱) ۲۰۸
- (۲) ۳۰۸
- (۳) ۴۲۰
- (۴) ۶۲۶

۵۸- استفاده از فرایند شناورسازی در تصفیه کدام فاضلاب، مناسب‌تر است؟

- (۱) شهری
- (۲) آبکاری
- (۳) صنایع نفت
- (۴) کارخانه قند

۵۹- مقدار BOD یک فاضلاب صنعتی برابر  $500 \frac{mg}{lit}$  است. اگر مقدار ثابت سرعت در  $20^\circ C$  برابر  $0.2d^{-1}$  باشد

$BOD_5$  چند  $\frac{mg}{lit}$  است؟

- (۱) ۱۵۰
- (۲) ۲۰۰
- (۳) ۲۵۰
- (۴) ۴۵۰

- ۶۰- آنالیز یک نوع آب نشان می دهد که مقادیر منیزیم و کلسیم آن به ترتیب برابر ۴۸ و ۸۰ میلی گرم در لیتر است. سختی کل آب کدام است؟
- (۱) ۸۰۰
  - (۲) ۴۰۰
  - (۳) ۲۰۰
  - (۴) ۱۲۸
- ۶۱- برای تهیه آب شرب از آبی با  $TDS = ۱۲۰۰ \text{ ppm}$  از کدام روش می توان استفاده کرد؟
- (۱) اسمز معکوس
  - (۲) رزین کاتیونی به علاوه آنیونی
  - (۳) اسمز معکوس + رزین آنیونی
  - (۴) رزین کاتیونی + اسمز معکوس
- ۶۲- از سدیم سولفیت و هیدرازین به ترتیب (از راست به چپ) برای کدام مورد، استفاده می شود؟
- (۱) هوازدایی از آب - هوازدایی از آب و تنظیم pH
  - (۲) هوازدایی از آب و تنظیم pH - تنظیم pH
  - (۳) تنظیم pH - هوازدایی از آب
  - (۴) هوازدایی از آب - تنظیم pH
- ۶۳- اگر  $E_p$  پتانسیل الکتروود در حالت پلاریزه شده،  $E_r$  پتانسیل الکتروود در حالت برگشت پذیر،  $\eta$  پتانسیل اضافی الکتروود،  $i_0$  چگالی جریان تبدلی باشد و  $i$  چگالی جریان در مدار خارجی پیل باشد، کدام مورد درست است؟
- (۱)  $i > i_0$ ، اکسیداسیون داریم
  - (۲)  $i < i_0$ ، اکسیداسیون داریم
  - (۳)  $E_p > E_r$ ، اکسیداسیون داریم
  - (۴)  $\eta < 0$ ، اکسیداسیون داریم
- ۶۴- در یک پیل  $Zn / Zn^{+2} || Cu^{+2} / Cu$  چگالی جریان کاتدی برابر با  $500 \text{ A/m}^2$  است، اگر سطح آند دو برابر سطح کاتد باشد، با فرض آنکه سطح کاتد  $10^{-2} \text{ m}^2$  است، کاهش وزن آند در زمان یک ساعت چند gr است؟
- $M_{Zn} = 65/38$  ،  $M_{Cu} = 63/54$  ،  $F = 96500 \text{ e}$
- (۱) ۱۲
  - (۲) ۹
  - (۳) ۶
  - (۴) ۳
- ۶۵- یک فولاد ۳۱۶ را در نظر بگیرید که در ضمن جوشکاری به خوردگی بین دانه‌ای حساس شده است. برای رفع حساسیت به خوردگی بین دانه‌ای کدام سیکل عملیات حرارتی زیر را توصیه می کنید؟
- (۱) آستنیت کردن در دمای بالا به منظور انحلال کاربیدها و آهسته سرد کردن به منظور گرفتن آستنیت
  - (۲) آستنیت کردن در دمای بالا جهت انحلال کاربیدها و سریع سرد کردن به منظور گرفتن آستنیت
  - (۳) آستنیت کردن جهت گرفتن محلول جامد  $Fe - Co - Ni : Cr$  و سپس سریع سرد کردن جهت حفظ ساختار تک فازی مارتنزیت
  - (۴) آستنیت کردن در دمای بالا در یک محیط دی کربوره کننده جهت تجزیه و حذف کاربیدها و سپس سرد کردن آهسته به منظور حذف تنش‌ها

فیزیک جدید:

- ۶۶- کدام عبارت در مورد تشعشع جسم سیاه، نادرست است؟  
 (۱) توان تابشی کل متناسب با توان چهارم دمای جسم است.  
 (۲) طیف توان تابشی نشانگر و تأییدگر رخداد فاجعه ماورای بنفش است.  
 (۳) با افزایش دما، بیشینه توان تابشی در طول موج‌های کوتاه‌تر رخ می‌دهد.  
 (۴) در دمای معین، توان تابشی در طول موج‌های بسیار کوچک با کاهش طول موج کاهش می‌یابند.
- ۶۷- دو لیزر، اولی با طول موج  $480\text{ nm}$  و دومی با طول موج  $640\text{ nm}$ ، دارای توان یکسان هستند. تعداد فوتون‌هایی که در یک ثانیه از لیزر اول تابش می‌شود، چند برابر لیزر دوم است؟  
 (۱)  $\frac{3}{4}$   
 (۲)  $\frac{9}{16}$   
 (۳)  $\frac{4}{3}$   
 (۴)  $\frac{16}{9}$
- ۶۸- یک هدف فلزی با وزن اتمی سنگین، تحت تابش پرتوی چه ذراتی قرار گیرد تا اشعه ایکس تولید شود؟  
 (۱) الکترون  
 (۲) پروتون  
 (۳) فوتون  
 (۴) نوترون
- ۶۹- تابع کار الکترون‌های درون یک فلز  $4/2\text{ eV}$  است. برای درآوردن الکترون‌ها از فلز به وسیله تابش نور بر سطح آن، باید چه طول موجی به کار رود؟ ( $hc = 1240\text{ eVnm}$ )  
 (۱) حداقل  $295\text{ نانومتر}$   
 (۲) حداقل  $360\text{ نانومتر}$   
 (۳) حداکثر  $295\text{ نانومتر}$   
 (۴) حداکثر  $360\text{ نانومتر}$
- ۷۰- آیا یک فوتون می‌تواند تمامی انرژی خود را به یک الکترون آزاد منتقل کند؟  
 (۱) بلی، زیرا هم قانون بقای تکانه خطی و هم قانون بقای انرژی حفظ می‌شود.  
 (۲) بلی، زیرا قانون بقای تکانه خطی در سطح کوانتومی می‌تواند نقض شود.  
 (۳) خیر، زیرا هم قانون بقای تکانه خطی و هم قانون بقای انرژی نقض می‌شود.  
 (۴) خیر، زیرا قانون بقای تکانه خطی نقض می‌شود.
- ۷۱- یک ذره بتا، یک ذره آلفا و پرتوی گاما هر سه دارای تکانه خطی یکسان هستند. طول موج کدام بزرگتر است؟  
 (۱) ذره آلفا  
 (۲) ذره بتا  
 (۳) پرتو گاما  
 (۴) طول موج هر سه یکسان است

۷۲- تابع موج ذره‌ای به شکل  $\psi(x) = \begin{cases} Axe^{-ax} & x > 0 \\ 0 & x \leq 0 \end{cases}$  است که  $A$  و  $a$  ضرایب ثابت حقیقی هستند. در چه

نقطه‌ای روی محور  $x$  احتمال وجود ذره بیشترین است؟

(۱)  $x = 0$

(۲)  $x = \frac{1}{a}$

(۳)  $x = \frac{2}{a}$

(۴)  $x = \frac{1}{2a}$

۷۳- کمترین انرژی یک الکترون که در یک ناحیه یک بعدی محصور است، برابر با  $1\text{eV}$  است. اگر این ناحیه به شکل یک چاه پتانسیل بی‌نهایت یک‌بعدی توصیف شود، پهنای این چاه تقریباً چند نانومتر است؟

(۱)  $0.5$

(۲)  $2$

(۳)  $5$

(۴)  $8$

۷۴- انرژی متوسط به‌ازای هر درجه آزادی یک گاز در دمای  $T = 300\text{K}$  تقریباً چند برابر انرژی لازم برای برانگیختن

یک اتم هیدروژن به اولین حالت برانگیخته آن است؟  $(k_B = 1.38 \times 10^{-23} \frac{\text{J}}{\text{K}})$

(۱)  $3.8 \times 10^{-3}$

(۲)  $2.5 \times 10^{-2}$

(۳)  $1.27 \times 10^{-3}$

(۴)  $1.14 \times 10^{-2}$

۷۵- ذره‌ای با انرژی  $E$  به یک سد پتانسیل یک‌بعدی به ارتفاع  $V_0$  و پهنای  $a$  برخورد می‌کند. از دیدگاه مکانیک

کوانتوم، کدام عبارت نادرست است؟  $\left( n = 1, 2, \dots, \beta = \sqrt{\frac{2m}{\hbar}} |E - V_0| \right)$

(۱) اگر  $E > V_0$  باشد در شرایطی که  $\beta\alpha = n\pi$  باشد احتمال عبور از سد یک است.

(۲) اگر  $E > V_0$  باشد احتمال عبور ذره از سد همواره برابر یک است.

(۳) اگر  $E < V_0$  باشد احتمال عبور ذره از سد همواره غیرصفر است.

(۴) اگر  $E = V_0$  باشد احتمال بازتاب ذره از سد غیرصفر است.

۷۶- کدام عبارت در مورد خواص الکترونی جامدات، نادرست است؟

(۱) در غالب خواص فیزیکی جامدات الکترون‌های نزدیک سطح فرمی نقش تعیین‌کننده دارند.

(۲) در نیم‌رسانای غیرمستقیم بیشینه نوار ظرفیت و کمینه نوار رسانش بر هم منطبق نیستند.

(۳) در ساختار نواری یک فلز سطح فرمی یک یا چند نوار انرژی را قطع می‌کند.

(۴) جرم مؤثر الکترون داخل یک جامد برابر جرم الکترون آزاد در خلأ است.



۷۷- سرعت یک سفینه فضایی نسبت به زمین  $0.3C$  است. اگر یک فوتون با طول موج  $550\text{nm}$  در امتداد حرکت سفینه و هم جهت با حرکت آن از انتهای سفینه خارج شود، اندازه سرعت این فوتون نسبت به زمین کدام است؟ (C سرعت نور در خلأ است.)

- (۱) C (۲)  $0.3C$  (۳)  $0.7C$  (۴)  $1.3C$

۷۸- تکانه یک پروتون به جرم سکون  $938\text{MeV}$  که با سرعت  $0.6C$  سرعت نور حرکت می کند، چند  $\frac{\text{MeV}}{C}$  است؟

- (۱)  $562/8$  (۲)  $703/5$  (۳)  $1172/5$  (۴)  $1250/7$

۷۹- شخصی می خواهد طول یک میله را اندازه گیری می کند. در حالت های زیر همه سرعت ها نسبت به ناظر ساکن در آزمایشگاه داده شده و راستای سرعت ها در امتداد طول میله است. در کدام حالت طول میله کوتاه تر اندازه گیری می شود؟

(۱) در هر سه حالت طول میله یکسان اندازه گیری می شود.

(۲) میله و شخص با تندی مشابه  $V$  هم جهت با هم حرکت می کنند.

(۳) میله ساکن است و شخص با سرعت  $V$  به سمت آن حرکت می کند.

(۴) میله و شخص با تندی مشابه  $V$  در خلاف جهت هم حرکت می کنند.

۸۰- ذره ای در حال سکون دارای طول عمر  $5\mu\text{s}$  است. این ذره در چارچوب مرجعی که در آن ذره دارای سرعت ثابت  $0.8C$  است، چند متر قبل از متلاشی شدن می پیماید؟ (C سرعت نور در خلأ است.)

- (۱) ۸۶۴

- (۲) ۱۴۴۰

- (۳) ۱۸۰۰

- (۴) ۲۴۰۰

۸۱- یک ساعت در راستای محور  $x$  با تندی  $0.6C$  در حرکت است و هنگامی که از جلوی مبدأ مختصات عبور می کند زمان صفر را نشان می دهد. وقتی که ساعت از جلوی نقطه  $x=270\text{m}$  عبور می کند، چه زمانی را برحسب میکروثانیه نشان می دهد؟

- (۱) ۰.۹۶

- (۲) ۱.۲

- (۳) ۱.۵

- (۴) ۱.۸۷۵

۸۲- در تکنولوژی جدید نمایش گرها از کدام ماده برای تولید رنگ آبی استفاده می شود؟ (آلایش = دوپ کردن)

(۱) نیم رسانای ZnS فعال شده یا نقره

(۲) نیم رسانای ZnCd فعال شده یا نقره

(۳) نیم رسانای ZnS فعال شده یا مس

(۴) نیم رسانای  $\text{SrAl}_2\text{O}_4$  فعال شده یا مس

۸۳- کدام نوع ماده مغناطیسی برای هسته ترانسفورماتورها و سوییچ های مغناطیسی مناسب است؟

(۱) دیامغناطیس مانند مس

(۲) پارامغناطیس مانند سولفات نیکل

(۳) فرومغناطیس نرم مانند آلیاژ آهن - نیکل

(۴) فرومغناطیس سخت مانند استیل حاوی کمتر از یک درصد کربن

۸۴- کدام ماده دوقطبی مغناطیسی دائمی ندارد؟

- (۱) پارامغناطیس  
(۲) یادفرومغناطیس  
(۳) دیامغناطیس  
(۴) فری مغناطیس

۸۵- هسته  ${}^{238}_{92}\text{U}$  به هسته  ${}^{234}_{90}\text{Pa}$  واپاشی می کند. در این واپاشی چه ذرات دیگری گسیل می شوند؟  
(۱) یک هلیوم و یک پوزیترون (بتای مثبت)  
(۲) یک ذره آلفا و یک پوزیترون (بتای مثبت)  
(۳) یک پروتون و یک الکترون  
(۴) یک ذره آلفا و یک الکترون

شیمی فیزیک و ترمودینامیک:

۸۶- یک مول گاز ایدئال در حالت اولیه  $P = 1\text{ atm}$  و  $T = 300\text{ K}$  قرار دارد. تغییر آنتروپی گاز با کاهش فشار تا  $1\text{ atm}$  در دمای ثابت، کدام است؟

- (۱)  $-300R \ln 10$   
(۲)  $300R \ln 10$   
(۳)  $-R \ln 10$   
(۴)  $R \ln 10$

۸۷- به یک گاز ایدئال محبوس در یک سیلندر بدون اصطکاک  $1000$  ژول گرما داده شده و گاز  $800$  ژول کار انجام می دهد. در ادامه و طی فرایند آدیاباتیکی  $500$  ژول کار روی گاز انجام می شود و در پایان اجازه داده شده تا به صورت آزاد منبسط شود. در اثر انبساط  $700$  ژول گرما به محیط منتقل می شود. دمای نهایی گاز نسبت به حالت اولیه آن چگونه تغییر یافته است؟

- (۱) تغییر نمی کند.  
(۲) افزایش پیدا می کند.  
(۳) کاهش پیدا می کند.  
(۴) اطلاعات مسئله کافی نیست.

۸۸- اختلاف بین تغییرات انرژی داخلی و تغییرات آنتالپی در تغییر حالت یک مول قلع سفید به قلع خاکستری در دمای  $298\text{ K}$  و فشار  $10$  اتمسفر به تقریباً چند کالری است؟

(وزن مخصوص قلع سفید  $7 \frac{\text{g}}{\text{cm}^3}$ ، وزن مخصوص قلع خاکستری  $6 \frac{\text{g}}{\text{cm}^3}$  و وزن اتمی قلع  $120$  می باشد. فرض

کنید هر کالری معادل  $40$  سانتی متر مکعب اتمسفر است.)

- (۱)  $0.5$   
(۲)  $0.7$   
(۳)  $16$   
(۴)  $28$

۸۹- یک مول گاز کاملی در یک تحول آدیباتیک (بی دررو) برگشت پذیر از حالت (۱) به حالت (۲) تحول می یابد. کدام

رابطه در خصوص این تحول درست است؟  $(R = 2 \frac{\text{cal}}{\text{mole.K}})$

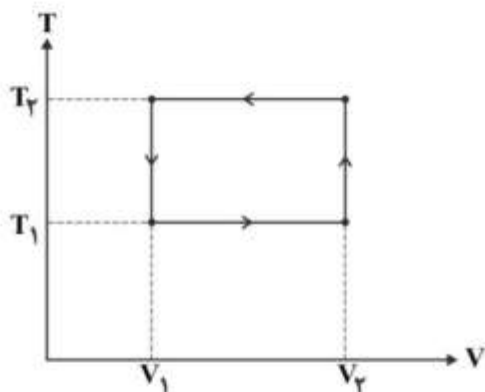
$$\left(\frac{T_2}{T_1}\right)^{C_V} = \left(\frac{V_1}{V_2}\right)^R \quad (1)$$

$$\left(\frac{T_2}{T_1}\right)^{C_V} = \left(\frac{V_2}{V_1}\right)^R \quad (2)$$

$$\left(\frac{T_2}{T_1}\right)^{C_P} = \left(\frac{V_1}{V_2}\right)^{C_V} \quad (3)$$

$$\left(\frac{T_2}{T_1}\right)^{C_P} = \left(\frac{V_1}{V_2}\right)^R \quad (4)$$

۹۰- در چرخه زیر یک مول گاز در خلاف جهت عقربه های ساعت متحول می شود. مقدار گرمای مبادله شده در چرخه کدام است؟ (فرض کنید تحول ها برگشت پذیر هستند.)



$$R(T_1 - T_2) \ln \frac{V_2}{V_1} \quad (1)$$

$$R(T_1 - T_2) \left(\frac{V_1}{V_2}\right) \quad (2)$$

$$R(T_2 + T_1) \ln \frac{V_1}{V_2} \quad (3)$$

$$R(T_2 + T_1) \left(\frac{V_2}{V_1}\right) \quad (4)$$

۹۱- یک سیستم محتوی ۲/۵ مول گاز ایدئال تک اتمی، تحت تحول  $(3 \text{ atm}, 600 \text{ K}) \rightarrow (1/5 \text{ atm}, 400 \text{ K})$  قرار می گیرد. در اثر انجام این تحول تغییرات انرژی داخلی  $(\Delta U)$  و تغییرات آنتالپی  $(\Delta H)$  بر حسب کالری به ترتیب

(از راست به چپ) کدام اند؟  $(C_V = 1/5 R, R = 2 \frac{\text{cal}}{\text{mol.K}})$

$$1000, 600 \quad (1)$$

$$2500, 1500 \quad (2)$$

$$3750, 2250 \quad (3)$$

$$6250, 3750 \quad (4)$$

۹۲- برای گاز کامل مقدار  $\left(\frac{\partial U}{\partial V}\right)_S$  و  $\left(\frac{\partial U}{\partial S}\right)_V$  به ترتیب (از راست به چپ)، کدام است؟  $(V, P, T, U)$  فشار، حجم، دما

انرژی داخلی و  $S$  آنتروپی سیستم است.)

$$V, P \quad (2)$$

$$-P, V \quad (1)$$

$$-P, T \quad (4)$$

$$-V, T \quad (3)$$

۹۳- در دمای  $1000\text{K}$ ، ثابت تعادل ( $k_p$ ) برای واکنش گازی  $A(g) + B(g) = C(g) + D(g)$  برابر واحد ( $k_p = 1$ ) است. اگر در دمای فوق  $0.5$  مول  $A$  و  $0.5$  مول  $B$  در محفظه‌ای وارد واکنش شوند، پس از برقراری تعادل، کسر مولی  $B$  در محفظه کدام است؟

- (۱)  $0.40$   
 (۲)  $0.35$   
 (۳)  $0.25$   
 (۴)  $0.15$

۹۴- نقطه ذوب فلزی حدود  $627^\circ\text{C}$  و گرمای نهان ذوب آن حدود  $2700$  کالری بر مول است. با صرف نظر از تغییرات ظرفیت حرارتی مایع و جامد، تغییرات انرژی آزاد برای انجماد  $270$  گرم این فلز در دمای  $527^\circ\text{C}$  چند کالری است؟ (وزن اتمی فلز  $27$  گرم بر مول می‌باشد.)

- (۱)  $-3000$   
 (۲)  $-4306$   
 (۳)  $4306$   
 (۴)  $3000$

۹۵- فشار بخار فلزی در حالت مذاب بر حسب دمای  $T$  از رابطه  $(\ln P = \frac{A}{T} + B \ln T + C)$  پیروی می‌کند. اختلاف بین ظرفیت حرارتی یک مول از این فلز در دو حالت بخار و جامد، کدام است؟ ( $A, B, C$  و  $a, b, c$  ضرایبی ثابت‌اند.)

(۱) صفر است.  
 (۲) تابعی به شکل  $a + bT$  است.

(۳) مقدار ثابتی است و به  $T$  بستگی ندارد.  
 (۴) تابعی به شکل  $a + bT + \frac{c}{T^2}$  است.

۹۶- در واکنش  $\text{Si} + \text{O}_2 = \text{SiO}_2$ ، اگر محیط  $P_{\text{O}_2} > P_{\text{O}_2}^{\text{تعادلی}}$  باشد، کدام مورد، درست است؟

(۱)  $\Delta G > 0$  و  $\text{Si}$  نسبت به  $\text{SiO}_2$  پایدار است.  
 (۲)  $\Delta G > 0$  و  $\text{SiO}_2$  نسبت به  $\text{Si}$  پایدار است.  
 (۳)  $\Delta G < 0$  و  $\text{SiO}_2$  نسبت به  $\text{Si}$  پایدار است.  
 (۴)  $\Delta G < 0$  و  $\text{Si}$  نسبت به  $\text{SiO}_2$  پایدار است.

۹۷- برای یک محلول با قاعده مقدار  $\left(\frac{\partial G^{xs}}{\partial T}\right)_P$ ، همواره کدام مورد درست است؟

- (۱) هر مقداری می‌تواند داشته باشد.  
 (۲) کوچکتر از صفر است.  
 (۳) بزرگتر از صفر است.  
 (۴) صفر است.

۹۸- محلول‌های مذاب  $A-B$  را در محدوده دمای  $1500\text{K}$  تا  $1700\text{K}$  می‌توان محلول با قاعده (Regular) فرض کرد. اگر از انحلال دو مول  $B$  و سه مول  $A$  در دمای  $1500\text{K}$ ،  $30$  کیلوکالری گرما آزاد شود، انرژی آزاد اضافی برای یک مول  $B$  در محلول  $A-B$  حاوی  $40$  درصد مولی  $B$  در دمای  $1700\text{K}$ ، چند کیلوکالری است؟

- (۱)  $-45$   
 (۲)  $-9$   
 (۳)  $+6$   
 (۴)  $+8$

۹۹- در دمای  $1000\text{K}$  محلول دوتایی با  $30\%$  درصد اتمی  $A$  و  $70\%$  درصد اتمی  $B$  رفتار با قاعده دارد و انرژی آزاد مولی کلی اضافی آن برابر با  $-600$  کالری بر مول اندازه‌گیری شده است. گرمای کلی برای انحلال یک مول  $A$  و

یک مول  $B$  درهم چند کالری است؟  $(R = 2 \frac{\text{cal}}{\text{mole.K}})$

(۱)  $-5720$

(۲)  $-2860$

(۳)  $-1429$

(۴)  $-715$

۱۰۰- گرمای انحلال برنج مذاب از معادله  $\Delta H^M = -30000 X_{Zn} (1 - X_{Zn}) \frac{\text{J}}{\text{mole}}$  پیروی می‌کند. گرمای انحلال مولار جزئی یک مول مس در مذابی با ترکیب  $X_{Cu} = 0.2$ ، چند ژول است؟

(۱)  $-24000$

(۲)  $-19200$

(۳)  $-11250$

(۴)  $-1200$

۱۰۱- اگر محلول دوتایی  $A - B$  با قاعده و بسیار رقیق از  $B$  باشد، برای  $\gamma_B^\circ$  ضریب اکتیویته حل‌شونده  $B$  در حد  $X_B \rightarrow 0$ ، کدام رابطه درست است؟

(۲)  $\gamma_B^\circ = \alpha$

(۱)  $\ln \gamma_B^\circ = \alpha$

(۴)  $\ln \gamma_B^\circ = -\alpha X_B$

(۳)  $\ln \gamma_B^\circ = -\alpha$

۱۰۲- انرژی آزاد مولی کلی اضافی برای یک محلول  $A - B$  در دمای  $T$  از رابطه  $G^{XS} = a X_A X_B (1 + \frac{b}{T})$  به دست می‌آید. آنتروپی مولی کلی اضافی کدام رابطه است؟ ( $a$  و  $b$  اعداد ثابت هستند)

(۲)  $a X_A X_B (1 + \frac{b}{T})$

(۱)  $a X_A X_B (1 - \frac{b}{T})$

(۴)  $\frac{ab X_A X_B}{T^2}$

(۳)  $\frac{-ab X_A X_B}{T^2}$

۱۰۳- در یک محلول دو جزئی، هرگاه انرژی پیوندهای غیرهمنام بیشتر از پیوندهای همنام باشد، کدام مورد درست است؟  
 (۱) انحراف محلول مثبت و تمایل به جدایش وجود دارد.  
 (۲) انحراف محلول منفی و تمایل به جدایش وجود دارد.  
 (۳) انحراف محلول مثبت و تمایل به تشکیل محلول است.  
 (۴) انحراف محلول منفی و تمایل به تشکیل محلول است.

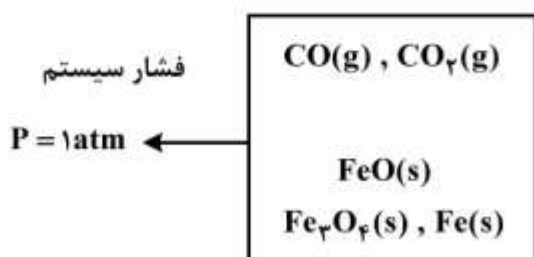
۱۰۴- سیستمی مشتمل بر  $\text{FeO}(s)$ ،  $\text{Fe}(s)$ ،  $\text{Fe}_3\text{O}_4(s)$ ،  $\text{CO}(g)$  و  $\text{CO}_2(g)$  را در فشار یک اتمسفر نظر بگیرید. تعداد درجه آزادی این سیستم، کدام است؟

(۱) ۲

(۲) ۱

(۳) ۰

(۴) -۱



۱۰۵- در دمای  $T$  و فشار  $P$  دو فاز  $\alpha$  و  $\beta$  که هر دو محلول جامدند، در تعادل‌اند. این فازها از دو جزء  $A$  و  $B$  تشکیل شده‌اند. اکتیویته  $B$  در فاز  $\alpha$  نسبت به حالت استاندارد راثولتی  $0.35$  است. اگر کسر مولی  $B$  در فاز  $\beta$ ،  $0.7$  باشد، مقدار ضریب اکتیویته  $B$  در فاز  $\beta$  نسبت به حالت استاندارد  $B$  جامد و خالص کدام است؟

- (۱)  $0.3$   
 (۲)  $0.5$   
 (۳)  $0.7$   
 (۴)  $1$

خواص فیزیکی و مکانیکی مواد:

۱۰۶- اگر با کاهش دما از دمای نزدیک نقطه ذوب به دمای اتاق در یک کریستال مکعبی، نسبت تعادلی جاهای خالی از  $10^{-3}$  به  $10^{-15}$  کاهش پیدا کند، فاصله متوسط جاهای خالی چند برابر می شود؟

- (۱)  $10^4$   
 (۲)  $10^5$   
 (۳)  $10^6$   
 (۴)  $10^{12}$

۱۰۷- اگر قطر اتمی عنصری با شبکه HCP برابر  $3A^\circ$  باشد، مقدار ایدئال ارتفاع سلول واحد (C) این عنصر بر حسب  $A^\circ$  کدام است؟

- (۱)  $7.06$   
 (۲)  $6.43$   
 (۳)  $5.19$   
 (۴)  $4.89$

۱۰۸- ساختار تعادلی آلیاژی درست پس از انجام واکنش  $L(50\%B) \rightarrow \alpha(20\%B) + \gamma(80\%B)$ ، حاوی ۷۵ درصد وزنی فاز  $\gamma$  می باشد. درصد وزنی عنصر  $B$  در ترکیب شیمیایی این آلیاژ کدام است؟

- (۱) ۷۵  
 (۲) ۶۵  
 (۳) ۵۵  
 (۴) ۴۵

۱۰۹- اگر نیروهای جاذبه و دافعه بین اتم‌های ماده  $A$  از روابط زیر پیروی کنند، کدام مورد فاصله تعادلی بین اتم‌های  $A$

است؟ ( $r$  بر حسب  $A^\circ$  است،  $f_d = +\left(\frac{100}{r^2}\right)$  نیروی جاذبه و  $f_a = -\left(\frac{200}{r^3}\right)$  نیروی دافعه)

- (۱) ۱  
 (۲) ۲  
 (۳)  $2/5$   
 (۴) ۳

۱۱۰- در مورد رسوبات هم‌بسته (coherent)، کدام مورد نادرست است؟

- ۱) یک ارتباط یک‌به‌یک بین ردیف‌های اتمی در فصل مشترک رسوب و زمینه وجود دارد.
- ۲) ترکیب شیمیایی رسوب و زمینه با هم متفاوت بوده ولی ساختار کریستالی آنها مشابه است.
- ۳) به علت عدم تطابق جزئی ثوابت شبکه رسوب و زمینه، کرنش‌های کوهیرنسی در فصل مشترک وجود ندارد.
- ۴) سرعت حرکت (رشد) فصل مشترک کوهیرنت کمتر از سرعت رشد فصل مشترک غیرکوهیرنت (ناهمبسته) است.

۱۱۱- چرا حلالیت کربن در آستنیت بیشتر از فریت است؟

- ۱) حجم کل فضای خالی در آستنیت بیشتر از فریت است.
  - ۲) آستنیت در دمای بالا ولی فریت در دمای پایین پایدار است.
  - ۳) اندازه فضاها خالی بین‌نشین (اشغال شده توسط کربن) در آستنیت بزرگ‌تر از فریت است.
  - ۴) تعداد نقاط جایگزین در شبکه بلور (اشغال شده توسط کربن) در آستنیت بیشتر از فریت است.
- ۱۱۲- در نفوذ تصادفی یک اتم بین‌نشین در دمای  $900\text{K}$  پس از ۱۲ ثانیه، فاصله اتم با محل اولیه آن چند  $m$  است؟

(ضریب نفوذ اتم بین‌نشین در دمای  $900\text{K}$  را  $\frac{m^2}{s}$   $2 \times 10^{-12}$  در نظر بگیرید.)

۱)  $3/4 \times 10^{-6}$       ۲)  $2/4 \times 10^{-8}$

۳)  $1/2 \times 10^{-5}$       ۴)  $1/44 \times 10^{-4}$

۱۱۳- با فرض آن که  $v_N$  سرعت جوانه‌زنی و  $v_G$  سرعت رشد جوانه‌ها باشد، تعداد دانه‌های تشکیل شده در یک سانتی‌متر مربع کدام است؟

۱)  $\left(\frac{v_N}{v_G}\right)^{\frac{1}{2}}$       ۲)  $\left(\frac{v_G}{v_N}\right)^{\frac{1}{2}}$       ۳)  $\left(\frac{v_N}{v_G}\right)^2$       ۴)  $\left(\frac{v_G}{v_N}\right)^2$

۱۱۴- کدام مورد یکی از تفاوت‌های جوانه‌زنی همگن با جوانه‌زنی غیرهمگن فاز جامد در فاز مذاب است؟

- ۱) حجم جوانه بحرانی
- ۲) شعاع جوانه بحرانی
- ۳) انرژی واحد سطح فصل مشترک مذاب / جامد
- ۴) تغییر انرژی آزاد واحد حجم در حین جوانه‌زنی جامد از مذاب

۱۱۵- در تحول انجماد فلزات خالص، کدام مورد سبب تشکیل ساختارهای دندریتی می‌شود؟

- ۱) جهات ترجیحی رشد جامد کریستالی
- ۲) تحت تبرید ترکیب شیمیایی
- ۳) شیب دمایی مثبت داخل مذاب ( $G_L > 0$ )
- ۴) شیب دمایی منفی داخل مذاب ( $G_L < 0$ )

۱۱۶- فرایند لغزش متقاطع (Cross Slip) در کدام مورد ساده‌تر است؟

(مقادیر داده شده انرژی «نقص در چیده شدن» (stacking-fault) بر حسب  $\frac{mJ}{m^2}$  می‌باشد.)

۱) مس ۹۰      ۲) نقره ۲۵      ۳) طلا ۷۵      ۴) برنج ۱۰

۱۱۷- کدام مورد، در خصوص لغزش متقاطع درست است؟

- ۱) لغزش متقاطع در صفحه‌ای موازی با صفحه لغزش اولیه انجام می‌شود.
- ۲) لغزش متقاطع با صعود نابه‌جایی انجام می‌شود.
- ۳) مخصوص نابه‌جایی پیچشی و مخلوط می‌باشد.
- ۴) مخصوص نابه‌جایی لبه‌ای (ساده) می‌باشد.

۱۱۸- کدام یک از ناهنجاری‌های زیر متحرک هستند؟

- (۱) ناهنجاری‌های فرانک  
(۲) ناهنجاری‌های شاگلی  
(۳) ناهنجاری‌های لومر - کاترل  
(۴) ناهنجاری‌های فرانک و شاگلی

۱۱۹- میله‌ای فلزی با مدول یانگ  $E$ ، طول  $L$  و سطح مقطع  $A$ ، تحت یک نیروی محوری  $F$  قرار گرفته است. کدام مورد، انرژی کرنش کشسان ذخیره شده در آن است؟

$$(1) \frac{F^2 L}{2EA^2}$$

$$(2) \frac{F^2}{2EA^2 L}$$

$$(3) \frac{F^2 EL}{2A}$$

$$(4) \frac{F^2 L}{2EA}$$

۱۲۰- قطعه‌ای دارای ترکیبی سطحی به طول ۲ میلی‌متر می‌باشد که در اثر خستگی به ۱۰ میلی‌متر رشد می‌کند. اگر طول اولیه ترک به ۰/۵ میلی‌متر کاهش یابد، عمر خستگی در اثر رشد ترک تا ۱۰ میلی‌متر چند درصد افزایش می‌یابد؟ (فرض کنید که آهنگ رشد ترک از رابطه پاریس با  $m = 4$  تبعیت کند.)

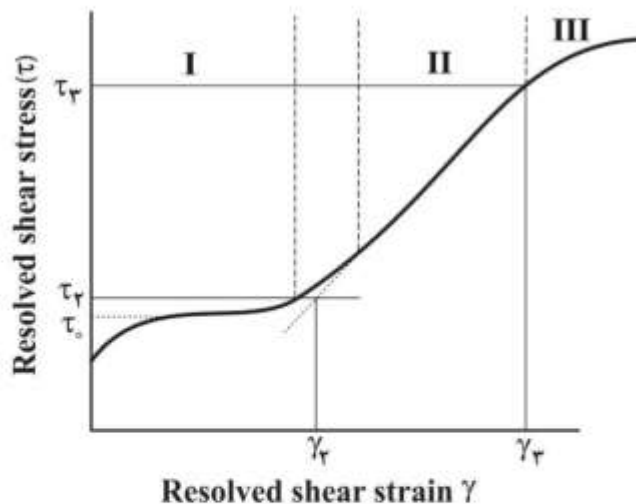
- (۱) ۱۸۵  
(۲) ۲۵۰  
(۳) ۳۷۵  
(۴) ۷۵۰

۱۲۱- دمای میله‌ای از آلومینا به طول ۱۰ سانتی‌متر از  $T$  درجه سانتی‌گراد به صفر درجه سانتی‌گراد سریعاً کاهش می‌یابد. اگر میله کاملاً مهار شده باشد، حداکثر دمای مجاز قبل از شکست میله تقریباً کدام است؟

$$(\alpha = 7 \times 10^{-6} \text{ } ^\circ\text{C}^{-1}, E = 400 \text{ GPa}, \sigma_{\text{uts}} = 200 \text{ MPa})$$

- (۱) ۷۱  
(۲) ۱۰۱  
(۳) ۱۲۶  
(۴) ۱۵۱

۱۲۲- شکل زیر منحنی تنش کرنش تک بلورهای FCC را نشان می‌دهد. کدام مورد در خصوص تأثیر دما بر میزان کرنش مرحله I درست است؟



- (۱) با افزایش دما افزایش می‌یابد، چون تنش برشی بحرانی برای لغزش زیاد می‌شود.  
(۲) با افزایش دما کاهش می‌یابد، چون تنش برشی بحرانی برای لغزش کم می‌شود.  
(۳) با افزایش دما افزایش می‌یابد، چون تنش برشی بحرانی برای لغزش کم می‌شود.  
(۴) دما تأثیر ندارد.



۱۲۳- تک بلور نیکل با شعاع اتمی  $0.125\text{nm}$  تا کرنش برشی  $0.1$  تغییر شکل می‌دهد. اگر چگالی نابه‌جایی‌ها ثابت و برابر با  $10^8$  بر سانتی‌متر مربع باشد، میزان متوسط حرکت نابه‌جایی‌ها چند سانتی‌متر است؟

- (۱)  $0.8$
- (۲)  $0.4$
- (۳)  $0.8$
- (۴)  $0.4$

۱۲۴- یک انباشت نابه‌جایی از  $n$  نابه‌جایی لبه‌ای تشکیل شده است. اگر انرژی هر نابه‌جایی  $\alpha Gb^2$  باشد که در آن  $b$  طول بردار برگرز،  $G$  مدول برشی و  $\alpha$  ضریبی ثابت، انرژی انباشت کدام است؟

- (۱)  $(\alpha Gb)^2$
- (۲)  $(n\alpha Gb)^2$
- (۳)  $n\alpha Gb^2$
- (۴)  $\alpha G n^2 b^2$

۱۲۵- کدام مورد در خصوص تفاوت منحنی‌های خزش در بار ثابت و در تنش ثابت، درست است؟  
 (۱) نرخ خزش مرحله دوم بستگی به نوع بارگذاری ندارد. (۲) در بار ثابت نرخ خزش مرحله دوم کوچک‌تر است.  
 (۳) در بار ثابت نرخ خزش مرحله دوم بزرگ‌تر است. (۴) در تنش ثابت زمان شکست کوتاه‌تر است.

پدیده‌های انتقال (انتقال جرم، مکانیک سیالات، انتقال حرارت):

۱۲۶- دو قرص جامد بنزوئیک اسید (وزن مولکولی  $= \frac{\text{kg}}{\text{kmol}} = 120$ ) و ابعاد یکسان به‌طور جداگانه در حجم بسیار زیادی از آب و هوا در دمای  $300\text{K}$  رها شدند. ضرایب انتقال جرم برای بنزوئیک اسید در آب و هوا به‌ترتیب برابر با  $0.9 \times 10^{-5}$  و  $0.5 \times 10^{-2} \frac{\text{m}}{\text{s}}$  می‌باشد. میزان حلالیت بنزوئیک اسید در آب  $\frac{\text{kg}}{\text{m}^3}$  و فشاربخار تعادلی آن در هوا  $0.04\text{kPa}$  است. تحت چنین شرایطی، کدام مورد در خصوص قرص بنزوئیک اسید درست است؟

$$\left( R = 8 \frac{\text{kPa} \cdot \text{m}^3}{\text{kmole} \cdot \text{K}} \right)$$

- (۱) در هوا سریع‌تر از آب حل می‌شود.
  - (۲) در آب سریع‌تر از هوا حل می‌شود.
  - (۳) با سرعت‌های یکسانی در آب و هوا حل می‌شود.
  - (۴) در هیچ‌کدام از محیط‌های آب و یا هوا حل نمی‌شود.
- ۱۲۷- کدام مورد در خصوص کولرهای آبی خانگی، درست است؟

- (۱) فقط انتقال جرم انجام می‌شود.
- (۲) فقط انتقال حرارت انجام می‌شود.
- (۳) انتقال جرم توأم با انتقال حرارت انجام می‌شود.
- (۴) عمل تبخیر انجام می‌شود و ربطی به انتقال جرم یا حرارت ندارد.

۱۲۸- برای تهیه لایه  $\text{Si}$  بر روی یک زیر لایه فلزی با استفاده از فرایند رسوب‌دهی شیمیایی بخار (CVD)، گاز  $\text{SiH}_4$  به درون راکتور CVD با دبی مشخص وارد و با تجزیه حرارتی گاز در دمای مشخص، لایه مربوطه بر روی زیر لایه طبق واکنش  $\text{SiH}_4 \rightarrow \text{Si} + 2\text{H}_2$  تشکیل می‌شود. هرگاه مراحل انتقال گاز با مکانیزم نفوذ و انجام واکنش سطحی بتوانند کنترل‌کننده سرعت باشند، در دمای بالا کدام مرحله کنترل‌کننده سرعت است؟

- (۱) انجام واکنش سطحی
- (۲) انتقال گاز با مکانیزم نفوذ
- (۳) هر دو مرحله هم‌زمان با هم کنترل‌کننده سرعت هستند.
- (۴) هیچ‌کدام از مراحل نمی‌توانند کنترل‌کننده سرعت باشند.

۱۲۹- ذره جامد کروی به قطر ۲ cm درون سیالی ساکن با ویسکوزیته  $2 \times 10^{-5} \frac{\text{kg}}{\text{m.s}}$  و دانسیته  $1/2 \frac{\text{kg}}{\text{m}^3}$  قرار دارد.

ضریب نفوذ ذره جامد درون سیال  $6 \times 10^{-6} \frac{\text{m}^2}{\text{s}}$  و رابطه انتقال جرم آن به صورت  $Sh = 2 + 0.6 Re^{1/2} Sc^{1/3}$  می باشد. ضریب انتقال جرم بین جامد و سیال چند  $\frac{\text{m}}{\text{s}}$  است؟

(۱) ۰

(۲) ۲

(۳)  $6 \times 10^{-4}$

(۴)  $6 \times 10^{-6}$

۱۳۰- در انتقال جرم با مکانیزم جابه جایی (convection) اجباری میان یک جامد کروی و سیال که درون ظرفی استوانه‌ای قرار دارند، کدام مورد تأثیری بر ضریب انتقال جرم میان جامد و سیال ندارد؟

(۱) قطر جامد

(۲) ویسکوزیته سیال

(۳) ضریب نفوذ جامد در سیال

(۴) شکل هندسی ظرف

۱۳۱- با کاهش ویسکوزیته سیال، ضخامت لایه مرزی (Boundary layer) در شرایط پایا (steady state) و در شرایط غیر پایا (non-steady state) به ترتیب (از راست به چپ)، چگونه تغییر می کنند؟

(۱) تغییر نمی کند، کاهش می یابد.

(۲) کاهش می یابد، تغییر نمی کند.

(۳) کاهش می یابد، کاهش می یابد.

(۴) افزایش می یابد، افزایش می یابد.

۱۳۲- در مطالعات لزجت سیالات، کدام مورد از واحدهای مقیاس اندازه گیری لزجت مطلق نیست؟

(۱) استوک

(۲) پواز

(۳) پاسکال. ثانیه

(۴) کیلوگرم بر متر. ثانیه

۱۳۳- در آزمایش‌های سیالات، مواقعی که نتوان فشار را در نقطه‌ای از سیستم تعیین کرد، با کدام وسیله می توان اختلاف فشار بین دو نقطه را مشخص نمود؟

(۱) مانومتر مایل

(۲) مانومتر دیفرانسیلی

(۳) پیزومتر جیوه

(۴) پیزومتر گرادیان

۱۳۴- صفحه‌ای به فاصله بسیار کم (در حد صدم میلی‌متر) از یک صفحه ثابت قرار گرفته و ما بین دو صفحه با یک سیال نیوتنی پر شده است. اگر نیروی لازم در واحد سطح برای حرکت صفحه متحرک با سرعت  $10 \frac{\text{m}}{\text{s}}$  برابر ۴ پاسکال باشد، در این صورت سرعت سیال در مجاورت صفحه متحرک و صفحه ثابت به ترتیب (از راست به چپ) چند  $\frac{\text{m}}{\text{s}}$  تخمین زده می شود؟

(۱) ۰ ، ۰/۴

(۲) ۰/۴ ، ۲/۵

(۳) ۰ ، ۱۰

(۴) ۲/۵ ، ۱۰

۱۳۵- سیالی که در تنش برشی ثابت با گذشت زمان غلیظ می شود، در طبقه بندی انواع سیال چه نامیده می شود؟

(۱) ویسکوتروپیک

(۲) ویسکوالاستیک

(۳) شبه پلاستیک

(۴) تیکسوتروپیک

۱۳۶- در مکانیک سیالات، کشش سطحی به علت بیشتر بودن نیروهای پیوستگی، نسبت به کدام مورد در مولکول‌های موجود در سطح آزاد مایع به وجود می آید؟

(۱) چسبندگی

(۲) موینگی

(۳) پلاستیسیته

(۴) ویسکوزیته

۱۳۷- در بررسی سینماتیک سیالات در صورتی که سرعت یک ذره سیال از رابطه  $\vec{V} = x t \vec{i}$  تبعیت کند و این ذره در لحظه  $t = 0$  در نقطه  $x_0 = 1$  قرار داشته باشد، کدام مورد مقدار  $\ln x$  را نشان می‌دهد؟

(۱)  $t$

(۲)  $\frac{t}{2}$

(۳)  $t^2$

(۴)  $\frac{t^2}{2}$

۱۳۸- در یک آزمایشگاه سیالات، جت سیالی با سرعت  $20 \frac{m}{s}$  از لوله‌ای بسیار باریک با سطح مقطع  $2 \text{ cm}^2$  خارج می‌شود. توان این جت سیال در صورتی که دانسیته سیال برابر  $700 \frac{kg}{m^3}$  باشد، چند وات است؟

(۱) ۴۶۰

(۲) ۵۶۰

(۳) ۶۶۰

(۴) ۷۶۰

۱۳۹- دمای سطح داخلی و خارجی یک پنجره شیشه‌ای در یک روز سرد زمستانی به ترتیب  $25^\circ \text{C}$  و  $-10^\circ \text{C}$  است. اگر ضخامت شیشه  $5 \text{ mm}$  و ضریب هدایت آن  $0.9 \frac{W}{m.K}$  باشد، اتلاف حرارتی از این پنجره چند  $\frac{W}{m^2}$  است؟

(۱) ۲/۷

(۲) ۶/۳

(۳) ۲۷۰۰

(۴) ۶۳۰۰

۱۴۰- یک میله فولادی با ضریب نفوذ حرارتی  $10^{-6} \frac{m^2}{s}$  که در آن هدایت یک بعدی تحت شرایط نیمه بی‌نهایت وجود دارد را در نظر بگیرید. در صورتی که دمای اولیه فولاد  $25^\circ \text{C}$  باشد و یک انتهای آن به طور ناگهانی به دمای  $100^\circ \text{C}$  رسانده شود و در این دما نگه داشته شود، دمای فولاد در فاصله  $0.1$  متری از انتهای گرم آن پس از  $60$  دقیقه چند  $^\circ \text{C}$  است؟ ( $\text{erf}(x) = x$ )

(۱) ۲۷/۵

(۲) ۳۷/۵

(۳) ۴۷/۵

(۴) ۵۷/۵

۱۴۱- مقدار اتلاف حرارت  $(\frac{W}{m^2})$  به صورت تابش از یک ورق فولادی با ضریب نشر  $0.3$  در دمای  $827^\circ C$  به کدام

مورد نزدیک تر است؟  $(\sigma = 5.7 \times 10^{-8} \frac{W}{m^2.K^4})$

- (۱) ۲۵۰۰۰
- (۲) ۵۰۰۰۰
- (۳) ۷۰۰۰۰
- (۴) ۸۰۰۰۰

۱۴۲- دیوار یک خانه از آجرهایی به ضخامت  $0.1m$  با ضریب هدایت حرارتی  $0.7 \frac{W}{m.K}$  ساخته شده است. اگر

بخواهیم اتلاف حرارت از دیوار را  $80\%$  درصد کاهش دهیم، چه ضخامتی بر حسب سانتی متر از ماده عایق با ضریب هدایت حرارتی  $0.1 \frac{W}{m.K}$  باید به این دیوار اضافه کرد؟

- (۱)  $\frac{8}{7}$
- (۲)  $\frac{4}{70}$
- (۳)  $\frac{8}{700}$
- (۴)  $\frac{40}{7}$

۱۴۳- در انتقال حرارت، بین یک جسم جامد و سیال با مکانیزم جابه جایی اجباری (Forced Convection) عامل انتقال حرارت ..... و در جابه جایی آزاد (free Convection) عامل انتقال حرارت ..... است.

- (۱) سرعت سیال - سرعت سیال
- (۲) تغییر دانسیته سیال - سرعت سیال
- (۳) سرعت سیال - تغییر دانسیته سیال
- (۴) تغییر دانسیته سیال - تغییر دانسیته سیال

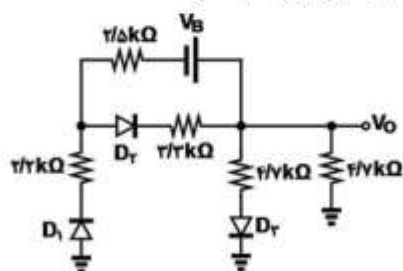
۱۴۴- در دیواره‌ای که ضریب هدایت حرارتی آن ثابت است، یک منبع گرمایی وجود دارد. اگر  $T_o$  دمای مرکز این دیواره و  $\bar{T}$  میانگین دمای دوطرف دیواره باشد، کدام رابطه همواره درست است؟

- (۱)  $T_o \leq \bar{T}$
- (۲)  $T_o < \bar{T}$
- (۳)  $T_o \geq \bar{T}$
- (۴)  $T_o > \bar{T}$

۱۴۵- یک سیال به صورت جریان آرام توسعه یافته در یک لوله با دمای ثابت در حال حرکت است. با دو برابر شدن سرعت سیال و نصف شدن قطر لوله، ضریب انتقال حرارت جابه جایی چه تغییری می کند؟  
 (۱) تغییر نمی کند. (۲) چهار برابر می شود. (۳) نصف می شود. (۴) دو برابر می شود.

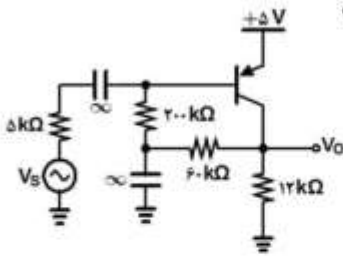
الکترونیک (۲۰) و الکترومغناطیس مهندسی:

۱۴۶- در مدار شکل زیر  $V_O$  برابر با ۲ ولت است. با فرض  $V_{D(ON)} = 0.7V$ ، ولتاژ باتری  $V_B$  چند ولت است؟



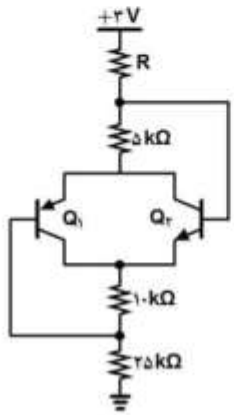
- (۱) ۳
- (۲) ۴
- (۳) ۵
- (۴) ۶

۱۴۷- در تقویت کننده شکل زیر بهره ولتاژ ( $V_O / V_S$ ) به کدام مورد نزدیک تر است؟  
(فرض کنید:  $V_{EB(ON)} = 0.7V$ ،  $\eta V_T = 25mV$  و  $\beta = 50$ )



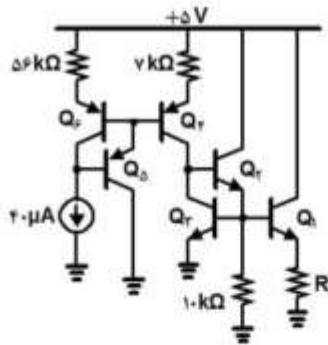
- (۱) ۰ (۲) -۶۰ (۳) -۱۰۰ (۴) -۱۲۰

۱۴۸- به ازای چه مقداری برای مقاومت R، ترانزیستور  $Q_1$  در مرز ناحیه اشباع قرار می گیرد؟  
(فرض کنید:  $|V_{CE(sat)}| = 0.2V$ ،  $|V_{BE(ON)}| = 0.7V$  و  $\beta = 100$ )



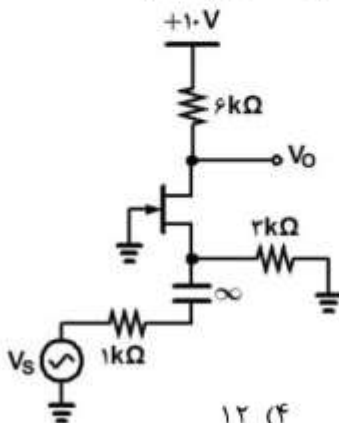
- (۱) ۱۶kΩ (۲) ۱۲/۵kΩ (۳) ۱۱kΩ (۴) ۷/۵kΩ

۱۴۹- در مدار شکل زیر ترانزیستورها مشابه هستند و  $\beta$  آنها بسیار بزرگ است. مقاومت R چند  $k\Omega$  باشد تا جریان  $Q_1$  تقریباً برابر با  $10\mu A$  شود؟  
(فرض کنید:  $\eta V_T = 26mV$  و  $\ln(2) = 0.7$ )



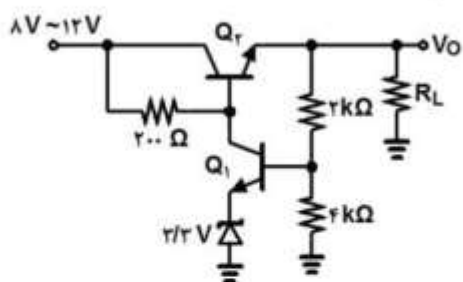
- (۱) ۱/۸ (۲) ۲/۶ (۳) ۷/۳ (۴) ۹/۱

۱۵۰- در تقویت کننده شکل زیر بهره ولتاژ ( $V_O / V_S$ ) تقریباً کدام است؟  $V_P = -2V$  و  $I_{DSS} = 8mA$



- (۱) ۱/۷ (۲) ۳/۶ (۳) ۴/۸ (۴) ۱۲

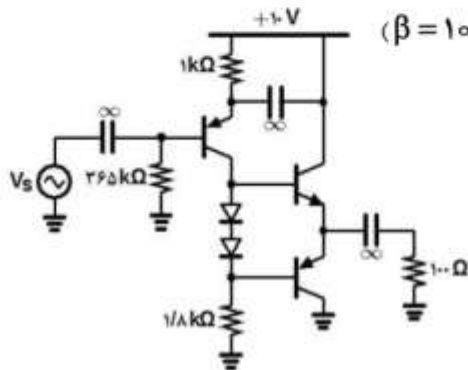
۱۵۱- در مدار رگولاتور شکل زیر، حداقل مقدار قابل قبول برای مقاومت بار  $R_L$  چند  $\Omega$  است؟



(فرض کنید:  $V_{BE(ON)} = 0.7V$ ,  $I_{Z,min} = 4mA$  و  $\beta = 100$ )

- (۱) ۲,۷ (۲) ۹,۲ (۳) ۲۴ (۴) ۱۵

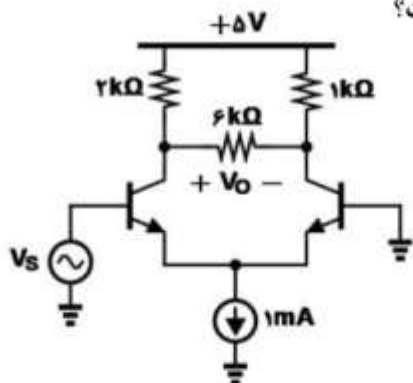
۱۵۲- در تقویت کننده توان شکل مقابل، حداکثر توان سینوسی تحویلی به مقاومت بار ۱۰۰ اهمی چند mW است؟



(فرض کنید:  $V_{BE(ON)} = V_{D(ON)} = 0.7V$ ,  $|V_{CE,sat}| = 0V$  و  $\beta = 100$ )

- (۱) ۴۵ (۲) ۹۲ (۳) ۱۲۵ (۴) ۲۵۰

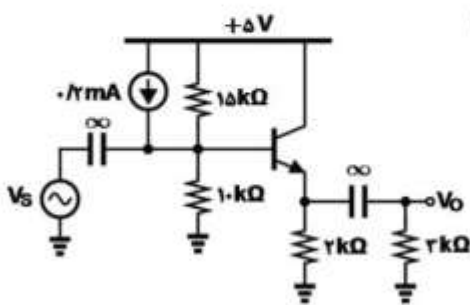
۱۵۳- در تقویت کننده شکل زیر، بهره ولتاژ ( $V_O / V_S$ ) به کدام مورد نزدیک تر است؟



(فرض کنید:  $\eta V_T = 25mV$ )

- (۱) -۲۴ (۲) -۳۶ (۳) -۲۰ (۴) -۱۵

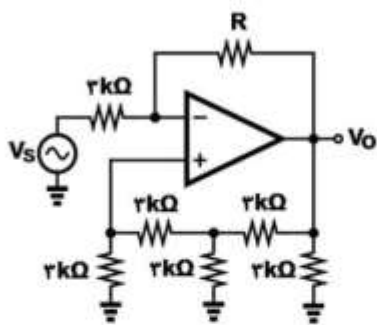
۱۵۴- حداکثر دامنه ولتاژ خروجی سینوسی بدون اعوجاج در مدار زیر تقریباً چند ولت است؟



(فرض کنید:  $V_{BE(ON)} = 0.7V$ ,  $V_{CE,sat} = 0.2V$  و  $\beta = 200$ )

- (۱) ۱,۵ (۲) ۱,۸ (۳) ۲ (۴) ۲,۳

۱۵۵- مقدار  $R$  چند  $k\Omega$  باشد تا بهره ولتاژ مدار شکل زیر ۱۵- شود؟



۱۵ (۴)

۱۲ (۳)

۹ (۲)

۶ (۱)

۱۵۶- بار  $10^{-9} C$  در مبدأ مختصات قرار گرفته است. چه باری برحسب نانوکولن در نقطه  $(2, 0, 0)$  باید قرار داد تا  $E_x$  در نقطه  $(3, 1, 1)$  برابر صفر شود؟

(۱)  $\frac{3\sqrt{3}}{11\sqrt{11}}$

(۲)  $\frac{9\sqrt{3}}{11\sqrt{11}}$

(۳)  $\frac{3\sqrt{3}}{22\sqrt{11}}$

(۴)  $\frac{9\sqrt{3}}{22\sqrt{11}}$

۱۵۷- بار سطحی با چگالی  $\sigma_s = 5\epsilon_0 \left(\frac{C}{m^2}\right)$  در صفحه  $z = 0$  و بار خطی با چگالی  $\lambda = 10\pi\epsilon_0 \left(\frac{C}{m}\right)$  در روی خط

$x = -2$  و  $z = 10$  مفروض می‌باشد. کدام مورد مکان هندسی نقاطی است که در آن  $\vec{E} = 0$  می‌باشد؟

(۱) خط  $x = -2$  ،  $z = 8$

(۲) خط  $x = -4$  ،  $z = 6$

(۳) خط  $x = 2$  ،  $z = 8$

(۴) خط  $x = 4$  ،  $z = 6$

۱۵۸- اختلاف پتانسیل بین نقاط  $A(1, 0, 0)$  و  $B(2, 0, 0)$  ،  $V_{BA} = V_B - V_A = 10 V$  می‌باشد. نقطه  $D(c, 0, 0)$  طوری

قرار گرفته است که  $V_{DB} = 20 V$  است. اگر پتانسیل‌های داده شده توسط بار خطی بر روی محور  $z$  ها ایجاد شده باشد،

مقدار  $c$  کدام است؟

(۱) ۴

(۲) ۶

(۳) ۸

(۴) ۳

۱۵۹- در مبدأ مختصات یک دو قطبی الکتریکی با ممان  $\vec{P} = 10^{-10} (\hat{a}_x + \hat{a}_z)$  در واحد SI قرار دارد. پتانسیل الکتریکی در نقطه  $(r = 10 \text{ m}, \theta = 60^\circ, \phi = 0)$  چند میلی‌ولت است؟

$$(1) \quad 3(\sqrt{2} - 1)$$

$$(2) \quad 3(\sqrt{2} + 1)$$

$$(3) \quad 4.5(\sqrt{3} - 1)$$

$$(4) \quad 4.5(\sqrt{3} + 1)$$

۱۶۰- در مختصات دکارتی، چگالی بار حجمی  $\rho_v = \frac{\rho_0 a}{x}$  ( $\frac{C}{m^3}$ ) مفروض است. اگر در  $x=1$ ،  $\frac{dV}{dx} = 0$  و در  $x=e$ ،  $V = V_0$  باشد، پتانسیل الکتریکی در تمامی فضا (به جز ناحیه  $x=0$ ) کدام است؟ (عدد  $e$  عدد نپر و  $a$  مقدار ثابت می‌باشد).

$$(1) \quad \frac{\rho_0 a x}{\epsilon_0} (1 - \ln x) + V_0$$

$$(2) \quad \frac{2\rho_0 a x}{\epsilon_0} (1 - \ln x) + V_0$$

$$(3) \quad \frac{\rho_0 a x}{2\epsilon_0} (1 - \ln x) + V_0$$

$$(4) \quad \frac{\rho_0 a x}{4\epsilon_0} (1 - \ln x) + V_0$$

۱۶۱- تابع پتانسیل الکتریکی در فضای آزاد به صورت  $V = 2x + 4y$  است که کمیت‌ها در واحد SI داده شده‌اند. چگالی انرژی الکتریکی در این فضا چند  $\frac{J}{m^3}$  است؟

$$(1) \quad \sqrt{2} \epsilon_0$$

$$(2) \quad \sqrt{10} \epsilon_0$$

$$(3) \quad 10 \epsilon_0$$

$$(4) \quad 20 \epsilon_0$$

۱۶۲- صفحه  $x+z=1$  مرز دو ناحیه با تراوایی‌های  $\mu_1 = \mu_0$  و  $\mu_2 = 3\mu_0$  است. میدان مغناطیسی در دو ناحیه به ترتیب از  $\vec{H}_1 = 5\hat{x} + 3\hat{y} - 2\hat{z}$  و  $\vec{H}_2 = 5\hat{x} + 2\hat{y} - 4\hat{z}$  می‌باشد که کمیت‌ها در واحد SI داده شده‌اند. اندازه چگالی جریان سطحی روی مرز چند آمپر در واحد طول است؟

$$(1) \quad \sqrt{\frac{1}{3}}$$

$$(2) \quad \frac{1}{\sqrt{6}}$$

$$(3) \quad \sqrt{3}$$

$$(4) \quad \sqrt{6}$$



۱۶۳- صفحه  $x=0$ ، دو ماده مغناطیسی همگن را از یکدیگر جدا می‌سازد. اگر  $\vec{B}_1 = -2\hat{a}_x + 2\hat{a}_y - \hat{a}_z$  در ناحیه  $\mu_0$

$x < 0$  باشد، بردار مغناطش  $\vec{M}$  در ناحیه  $x > 0$  کدام است؟ ( $\mu_r = 5$   $x > 0$ ) و ( $\mu_r = 2$   $x < 0$ )

(۱)  $-1/6\hat{a}_x - 2\hat{a}_y + 4\hat{a}_z$

(۲)  $-1/6\hat{a}_x + 6\hat{a}_y - 2\hat{a}_z$

(۳)  $-3/2\hat{a}_x + 2\hat{a}_y - 2\hat{a}_z$

(۴)  $-3/2\hat{a}_x - 6\hat{a}_y + 4\hat{a}_z$

۱۶۴- چنبره هوایی با سطح مقطع  $S(\text{cm}^2)$ ، شعاع متوسط  $a(\text{cm})$ ، جریان  $I_0$  آمپر را با  $N$  دور سیم از خود عبور

می‌دهد، چگالی مغناطیسی داخل چنبره چند  $\frac{\text{Wb}}{\text{m}^2}$  است؟

(۱)  $B = \frac{50 NI_0 \mu_0}{4\pi a}$

(۲)  $B = \frac{50 NI_0 \mu_0}{2\pi a}$

(۳)  $B = \frac{100 NI_0 \mu_0}{4\pi a}$

(۴)  $B = \frac{100 NI_0 \mu_0}{2\pi a}$

۱۶۵- میدان الکتریکی  $\vec{E}$  داخل ماده‌ای با تانژانت تلفات  $\tan \delta = 0.1$  منتشر شده است. فرض کنید  $\omega = 10^6 \frac{\text{R}}{\text{s}}$ .

$\mu_r = 1$  و  $\epsilon_r = 9$ . اگر میدان  $100 \text{ m}$  داخل این ماده منتشر شود چه کسری از دامنه اولیه آن کاهش می‌یابد؟

(۱)  $(1 - e^{-0.1})$

(۲)  $(1 - e^{-0.2})$

(۳)  $(1 - e^{-0.5})$

(۴)  $(1 - e^{-1})$





