



کد کنترل

757

F

آزمون ورودی دوره‌های کارشناسی ارشد ناپیوسته داخل - سال ۱۴۰۲



جمهوری اسلامی ایران
وزارت علوم، تحقیقات و فناوری
سازمان سنجش آموزش کشور

عصر پنج‌شنبه
۱۴۰۱/۱۲/۱۱

«اگر دانشگاه اصلاح شود
مملکت اصلاح می‌شود.»
امام خمینی (ره)

نانو فناوری - نانو مواد (کد ۱۲۷۳)

زمان پاسخ‌گویی: ۲۱۰ دقیقه

تعداد سؤال: ۱۶۰

عنوان مواد امتحانی، تعداد و شماره سؤالات

ردیف	مواد امتحانی	تعداد سؤال	از شماره	تا شماره
۱	زبان عمومی و تخصصی (انگلیسی)	۲۵	۱	۲۵
۲	ریاضیات مهندسی	۱۵	۲۶	۴۰
۳	شیمی کاربردی	۲۰	۴۱	۶۰
۴	فیزیک جدید	۲۰	۶۱	۸۰
۵	شیمی فیزیک و ترمودینامیک	۲۰	۸۱	۱۰۰
۶	خواص فیزیکی و مکانیکی مواد	۲۰	۱۰۱	۱۲۰
۷	پدیده‌های انتقال (انتقال جرم، مکانیک سیالات، انتقال حرارت)	۲۰	۱۲۱	۱۴۰
۸	الکترونیک (۲ا) و الکترومغناطیس مهندسی	۲۰	۱۴۱	۱۶۰

این آزمون نمره منفی دارد.

استفاده از ماشین حساب مجاز نیست.

حق چاپ، تکثیر و انتشار سؤالات به هر روش (الکترونیکی و...) پس از برگزاری آزمون، برای تمامی اشخاص حقیقی و حقوقی تنها با مجوز این سازمان مجاز می‌باشد و با متخلفین برابر مقررات رفتار می‌شود.

* داوطلب گرامی، عدم درج مشخصات و امضا در مندرجات جدول زیر، به منزله عدم حضور شما در جلسه آزمون است.

اینجانب با شماره داوطلبی با آگاهی کامل، یکسان بودن شماره سندلی خود با شماره داوطلبی مندرج در بالای کارت ورود به جلسه، بالای پاسخنامه و دفترچه سؤالات، نوع و کد کنترل درج شده بر روی جلد دفترچه سؤالات و پایین پاسخنامه ام را تأیید می‌نمایم.

امضا:

زبان عمومی و تخصصی (انگلیسی):

PART A: Vocabulary

Directions: Choose the word or phrase (1), (2), (3), or (4) that best completes each sentence. Then mark the answer on your answer sheet.

- 1- When you ----- a meeting, it is important to speak clearly, confidently and at a good pace.
1) assess 2) propagate 3) address 4) impress
- 2- People like the newly proposed system, but because of the costs involved we do not believe it is -----, and we need to look for other options.
1) compliant 2) defensive 3) ingenuous 4) viable
- 3- The country in question is very poor, and one in seven children dies in -----.
1) infancy 2) nutrition 3) malfunction 4) mortality
- 4- I don't consider myself to be particularly -----, but when I'm given a job, I make sure it gets done.
1) industrious 2) spontaneous 3) risky 4) unexceptional
- 5- The new airliner is more environmentally-friendly than other aircraft, its only ----- being its limited flying range.
1) demand 2) drawback 3) controversy 4) attribute
- 6- The celebrity will ----- assistance from the police to keep stalkers away from his property.
1) extend 2) invoke 3) absolve 4) withdraw
- 7- When plates in the Earth's crust slide or grind against one another, an earthquake with devastating consequences may be -----.
1) derived 2) surpassed 3) triggered 4) traced

PART B: Cloze Test

Directions: Read the following passage and decide which choice (1), (2), (3), or (4) best fits each space. Then mark the correct choice on your answer sheet.

The new species was named *Maiacetus inuus*, which means "mother whale," (8) ----- in the family Protocetidae. Assignment to a new species was justified due to critical differences from other protocetid whales, such as solidly co-ossified left and right dentaries (lower jaws), (9) ----- in the ankle, and significant disparity in hind

limb elements. The fossils show (10) ----- this new species' length is unimpressive relative to some extant (living) whales, but still, Maiacetus inuus measures a respectable 2.6 meters.

- 8- 1) placed 2) that placed 3) was placed 4) and was placed
 9- 1) there were variations 2) varying
 3) variations 4) which varied
 10- 1) when 2) that 3) although 4) for

PART C: Reading Comprehension

Directions: Read the following three passages and answer the questions by choosing the best choice (1), (2), (3), or (4). Then mark the correct choice on your answer sheet.

PASSAGE 1:

Nanomagnetism has many practical applications, from geology to magnetic recording, from ferrofluids used in loudspeakers to small particles used in medicine, that can be directed to specific organs and tissues, either for drug delivery or for the application of the technique of magnetic hyperthermia.

Magnetic nanoparticles are present in many rocks and soils. The alignment of their magnetic moments under the influence of the geomagnetic field allows the study of the evolution of Earth's magnetism and the determination of their age; this alignment can also inform on past anthropic activities.

Nanoparticles of magnetic materials, usually of magnetite, also occur in living beings; perhaps, the best studied example is that of magnetotactic bacteria, which, through magnetic grains of nanometric dimension, align themselves in the Earth's magnetic field. These grains are synthesized by the bacteria, in a process called biomineralization. These magnetic nanoparticles, and the bacteria themselves, have been studied as drug carriers in cancer therapy and other applications. Nanomagnets have also been found in insects, birds, and other creatures. Magnetic particles have been found in the beak and inner ear of pigeons, and they seem to be responsible for part of the birds' ability to detect magnetic fields.

Finally, the most successful application of nanomagnetism has been to magnetic recording that has taken this technology through a swift evolution in the last five decades. This is measured by the evolution of the areal bit density in magnetic hard disks that has increased by a factor of many tens of millions since the introduction in the market of this technology. The rapid increase in the density of electronic circuits made on individual silicon chips that has doubled every eighteen months is a tendency known as Moore's Law, a name arising from a 1965 paper by G.E. Moore that discussed the subject. Alongside this evolution, the density of magnetic storage in hard disks, measured by the data areal density, has progressed even faster, doubling every two months.

- 11- According to the first paragraph,**
- 1) Magnetic hyperthermia is one of the applications of nanomagnetism.
 - 2) Specific organs in the body can be made of nanoparticles.
 - 3) Ferrofluids are directed to specific organs and tissues.
 - 4) Ferrofluids are used in medicine.
- 12- The text says that -----.**
- 1) Magnetic nanoparticles can be mainly found in rocks and soils.
 - 2) People's age can be determined by studying the Earth's magnetism.
 - 3) Magnetic moments can be studied to find the influence of the geomagnetism on human's activities
 - 4) The change of the Earth's magnetism can be researched by studying the alignment of its magnetic moments.
- 13- Based on the text, -----.**
- 1) Birds can detect magnetic fields because they lack magnetic particles in their inner ear.
 - 2) The alignment of magnetotactic bacteria in the Earth's magnetic field is rare.
 - 3) Magnetic nanoparticles may be found in living things.
 - 4) Bacteria is unable to synthesize magnetic grain.
- 14- According to the authors:**
- 1) The density of magnetic materials has changed thanks to nanomagnetism.
 - 2) Nanomagnetism has been a driving force in the progress of magnetic recording technology.
 - 3) The evolution of the density of magnetic storage in hard disks follows Moor's law.
 - 4) Fabrication of the electronic circuits has witnessed a decline based on the Moor's law.
- 15- The main objective of the above text is -----.**
- 1) To give an idea about Moor's law.
 - 2) To explain the importance of nanomagnetism.
 - 3) To discuss the importance of magnetotactic bacteria.
 - 4) To show the advantage of nanomagnetic-based systems in hyperthermia.

PASSAGE 2:

Two-dimensional (2D) materials offer a platform that allows creation of heterostructures with a variety of properties. One-atom-thick crystals now comprise a large family of these materials, collectively covering a very broad range of properties. The first material to be included was graphene, a zero-overlap semimetal. The family of 2D crystals has grown to include metals, semiconductors, and insulators. Many of these materials are stable at ambient conditions, and we have come up with strategies for handling those that are not. Surprisingly, the properties of such 2D materials are often very different from those of their 3D counterparts. Furthermore, even the study of familiar phenomena (like superconductivity or ferromagnetism) in the 2D case, where there is no long-range order, raises many thought-provoking questions.

A plethora of opportunities appear when we start to combine several 2D crystals in one vertical stack. Held together by van der Waals forces (the same forces that hold layered materials together), such heterostructures allow a far greater number of combinations than any traditional growth method. As the family of 2D crystals is expanding day by day, so too is the complexity of the heterostructures that could be created with atomic precision.

When stacking different crystals together, the synergetic effects become very important. In the first-order approximation, charge redistribution might occur between the neighboring (and even more distant) crystals in the stack. Neighboring crystals can also induce structural changes in each other. Furthermore, such changes can be controlled by adjusting the relative orientation between the individual elements.

Such heterostructures have already led to the observation of numerous exciting physical phenomena. Thus, spectrum reconstruction in graphene interacting with hBN allowed several groups to study the Hofstadter butterfly effect and topological currents in such a system. The possibility of positioning crystals in very close (but controlled) proximity to one another allows for the study of tunneling and drag effects. The use of semiconducting monolayers leads to the creation of optically active heterostructures.

The extended range of functionalities of such heterostructures yields a range of possible applications. Now the highest-mobility graphene transistors are achieved by encapsulating graphene with hBN. Photovoltaic and light-emitting devices have been demonstrated by combining optically active semiconducting layers and graphene as transparent electrodes.

- 16- **Based on the text, which of the following is incorrect?**
- 1) 2D structures of metals, semiconductors, and insulators are already synthesized.
 - 2) Heterostructures can be produced thanks to 2D materials.
 - 3) 2D crystals are stable at ambient conditions.
 - 4) One atom-thick crystals are 2D materials
- 17- **Authors say that:**
- 1) 2D materials have opened new windows towards fabrication of heterostructures.
 - 2) The complexity of synthesis of heterostructures with atomic precision is decreasing day by day.
 - 3) The force which keeps layered materials together is not of van der Waals type.
 - 4) Traditional growth methods show a higher versatility in designing heterostructures.
- 18- **Synergetic effects in stacked crystals is ...**
- 1) The processes which can happen between different layers.
 - 2) Relative orientation between the individual elements.
 - 3) Structural differences between neighboring crystals.
 - 4) Charge redistribution between more distant layers.
- 19- **What is the main reason behind the extended applications of heterostructures?**
- 1) The controllability in crystal positioning.
 - 2) Their increased functionalities.
 - 3) The encapsulation possibility.
 - 4) The high electron mobility.
- 20- **A semimetal is -----.**
- 1) A material with no long-range order.
 - 2) A material with short-range order.
 - 3) A zero-overlap material.
 - 4) A highly-stable metal.

PASSAGE 3:

The motion behaviors of the micro/nano-objects are quite different from those in the macroscopic world. It is highly essential to study the underlying physical mechanisms and rules of how these MNMs move in the fluids. On a small scale, the inertial force no longer plays a crucial part in motion, as the inertia declines much faster with the decrease of particle length. When the dimension of MNMs is smaller than $1\ \mu\text{m}$, Brownian motion takes into effect. As the particles' sizes decrease, the imbalanced collision with fluid molecules becomes increasingly significant, making the active directional movement quite tricky. Based on the fundamental physical rules for motion at a small scale, researchers proposed various motion mechanisms to guide the design and fabrication of MNMs. The self-propelled MNMs can be activated by bubble generation, the self-generated fields, or chemical gradients.

The nanoscale particles' movement is strongly affected by the thermal fluctuation, leading to the well-known Brownian motion. As their sizes decrease, the collisions of fluid molecules with MNMs become increasingly significant. Brownian motion induced by these small molecules strongly affects the directionality of MNMs, resulting in random motion patterns. Thus, long-distance, translational motion becomes quite difficult because the random Brownian movement's distance is proportional to the square root of time.

As the three-dimensional sizes of a particle decrease to the nanoscale, it is hard to observe these particles by optical microscopes. Tracking the motors' trajectory becomes relatively meaningless as the random Brownian motion dominates the movement and smaller particles will have a much higher degree of random motion. The same regime applies to passive diffusion processes. New methods should be developed to quantify the nanoscale nanoparticle motion and differentiate the effect of random Brownian motion and active targeted movement. Natural protein motors in live cells overcome this problem by walking along the cellular fibers in the cells. These cellular fibers construct the cell skeleton and serve as the expressways for the cell's internal cargo transportations. A stationary asymmetry induced by chemically anisotropic motors generates a constant driving force, while a transient force only generates random fluctuation.

The fabrication of directional moving MNMs is desired for many applications, such as active cargo transportation or targeted drug delivery. The MNMs could show fast directional motion, and the distances are proportional to time. Hence, the design of MNMs should break the symmetry to overcome random Brownian fluctuation for enhanced directional active movement.

21- In the above text, “MNM” possibly stands for -----.

- | | |
|---------------------------------------|--|
| 1) Micro/Nano Motors. | 2) Microscopic Nonmagnetic Materials. |
| 3) Macroscopic Nonmagnetic Materials. | 4) Magnetic and Nonmagnetic Materials. |

22- Based on the text,

- 1) Brownian motion loses its importance at nanoscale.
- 2) Thermal fluctuation is a result of the Brownian motion.
- 3) The inertial force plays a less important role at nanoscale.
- 4) Nanoparticle-fluid collisions overcome the random Brownian motion.

- 23- **The Brownian motion causes a random movement because -----.**
- 1) The inertial force decreases with particle size increase.
 - 2) Bubble generation activates self-propelling processes.
 - 3) The governing mechanisms change during random movement.
 - 4) At small scale, the effect of collisions with fluid molecules becomes significant.
- 24- **For designing operative MNMs, -----.**
- 1) One must calculate the differential equations for particle motion.
 - 2) It is mandatory to observe nanoparticles under optical microscopes.
 - 3) Motion patterns must be randomized for controlling particle trajectory.
 - 4) New methods are needed to quantify controlled motion of nanoparticles.
- 25- **Natural motors do not face the problem of Brownian motion since -----.**
- 1) The driving force formed by anisotropic motors overcomes the random movement.
 - 2) Fabrication of directional moving MNMs is highly requested.
 - 3) A fast directional motion is expected from natural systems.
 - 4) Natural MNMs work based on symmetry.

ریاضیات مهندسی:

۲۶- مقدار مؤثر تابع تناوبی $g(t)$ با دوره تناوب T ، به صورت $g_{RMS} = \sqrt{\frac{1}{T} \int_0^T g^2(t) dt}$ تعریف می‌شود. مقدار

g_{RMS} برای تابع $g(t) = 1 + 2\sin(3t) + 2\cos(3t) + 3\sin(4t)$ ، کدام است؟

(۱) $\sqrt{7}$

(۲) $\frac{\sqrt{35}}{2}$

(۳) ۳

(۴) $\frac{\sqrt{38}}{2}$

۲۷- بسط نیم‌دامنه کسینوسی تابع $f(x) = \begin{cases} x & 0 < x < T \\ 0 & 0.w \end{cases}$ به ازای $T = L$ و $T = 2L$ را در نظر بگیرید. اگر ضرایب

فوریه این دو بسط به ترتیب با a_n و b_n نشان داده شوند، آنگاه $\frac{b_n}{a_n}$ ، کدام است؟

(۱) ۲

(۲) ۱

(۳) $\frac{1}{2}$

(۴) $\frac{1}{4}$

۲۸- اگر تبدیل فوریه کسینوسی تابع $f(x) = e^{-x}$; $x > 0$ به صورت $F_c(w) = \frac{1}{1+w^2}$ باشد، تبدیل فوریه تابع

$$g(x) = \frac{1}{x^2 + 2x + 2}$$

(۱) $\pi e^{-iw-|w|}$

(۲) $\pi e^{iw-|w|}$

(۳) $\pi e^{-iw+|w|}$

(۴) $\pi e^{iw+|w|}$

۲۹- برای یافتن برخی از جواب‌های معادله $\frac{\partial^2 u}{\partial x^2} + 2 \frac{\partial^2 u}{\partial y^2} = 2 \frac{\partial^3 u}{\partial y^2 \partial x}$ فرض کنید $u(x, y) = A(x)B(y)$ و $k \neq 0$

$B - kB'' = 0$ اگر به ازای مقادیر ثابت دلخواه $\alpha, \beta \neq 0, c_1$ و c_2 داشته

باشیم: $A(x) = e^{\alpha x} (c_1 \cos(\beta x) + c_2 \sin(\beta x))$ ، کدام مورد درست است؟

(۱) $k < 0$

(۲) $k > 0$

(۳) $0 < k < \frac{1}{4}$

(۴) $k > \frac{1}{2}$

۳۰- در مسئله جریان یک سیال، معادله لاپلاسین پتانسیل سرعت $\frac{\partial^2 \phi}{\partial r^2} + \frac{1}{r} \frac{\partial \phi}{\partial r} + \frac{1}{r^2} \frac{\partial^2 \phi}{\partial \theta^2} = 0$ و جواب آن به صورت

$$\phi(r, \theta) = \sum_{n=0}^{\infty} \left(A_n r^n + \frac{B_n}{r^n} \right) (C_n \cos(n\theta) + D_n \sin(n\theta))$$

و $\frac{\partial \phi(a, \theta)}{\partial r} = 0$ اگر شرایط

$(a > 1 > b)$ به ازای هر θ برقرار باشد، آنگاه $\phi(1, \frac{\pi}{3})$ ، کدام است؟

(۱) $\frac{a^2(b^2-1)}{2(b^2-a^2)}$

(۲) $\frac{b^2(1+a^2)}{2(b^2-a^2)}$

(۳) $\frac{b^2(1+a^2)}{(b^2-a^2)}$

(۴) $\frac{a^2(b^2-1)}{(b^2-a^2)}$

۳۱- فرض کنید $u(r, t) = \frac{f(r)}{r} \cos t$ جواب کران دار معادله $\frac{\partial^2 u}{\partial r^2} + \frac{2}{r} \frac{\partial u}{\partial r} = \frac{\partial^2 u}{\partial t^2}$ به ازای $r > 0$ به همراه شرط کرانه‌ای $\lim_{r \rightarrow 0^+} (r, t) = \cos t$ باشد. $f(r)$ ، کدام است؟

(۱) $\frac{\sin r}{\sin 1}$

(۲) $\frac{r \cos r}{\cos 1}$

(۳) $\frac{1 - \cos r}{1 - \cos 1}$

(۴) $\frac{r - \sin r}{1 - \sin 1}$

۳۲- جواب مسئله $\begin{cases} \frac{\partial u}{\partial t} = \frac{\partial^2 u}{\partial x^2}, & 0 < x < \pi, t > 0 \\ u(x, 0) = f(x), & 0 \leq x \leq \pi \\ \frac{\partial u}{\partial x}(0, t) = u(\pi, t) = 0, & t \geq 0 \end{cases}$ ، کدام است؟ $(\lambda_n = n - \frac{1}{4})$ و c_n ها اعداد ثابت اند که با

توجه به شرایط اولیه محاسبه می شوند.

(۲) $\sum_{n=1}^{\infty} c_n e^{-n^2 t} \sin(nx)$

(۱) $\sum_{n=1}^{\infty} c_n e^{-\lambda_n^2 t} \sin(\lambda_n x)$

(۴) $\sum_{n=1}^{\infty} c_n e^{-n^2 t} \cos(nx)$

(۳) $\sum_{n=1}^{\infty} c_n e^{-\lambda_n^2 t} \cos(\lambda_n x)$

۳۳- تبدیل لاپلاس جواب مسئله $\begin{cases} \frac{\partial u}{\partial t} = \frac{\partial^2 u}{\partial x^2}, & 0 < x < 1, t > 0 \\ u(0, t) = u(1, t) = 0, & u(x, 0) = \sin(\pi x) \end{cases}$ ، کدام است؟

(۱) $\frac{\sin(\pi x)}{s + \pi^2}$

(۲) $\frac{\sin(\pi x)}{s - \pi^2}$

(۳) $-\frac{\sin(\pi x)}{s + \pi^2}$

(۴) $-\frac{\sin(\pi x)}{s - \pi^2}$

۳۴- فرض کنید تابع $f(x + iy) = \sin(2x) \sinh(2y) + iv(x, y)$ تحلیلی و $f(0) = i$. مقدار $\operatorname{Re}\left(f'(\frac{i}{4}) + f(\frac{i}{4})\right)$.

کدام است؟

(۱) $2 \sinh 1$

(۲) $2 \cosh 1$

(۳) صفر

(۴) $-2 \cosh 1$

۳۵- کدام مورد برای تابع مختلط $f(z) = \frac{\sin z}{z^2(z^2 + 4)}$ درست است؟

(۱) $\text{Res}_{z=-2i} f(z) = \frac{\sinh 2}{16}$ و $z = -2i$ یک قطب ساده

(۲) $\text{Res}_{z=2i} f(z) = \frac{\sinh 2}{16}$ و $z = 2i$ یک قطب ساده

(۳) $\text{Res}_{z=0} f(z) = \frac{1}{4}$ و $z = 0$ یک قطب ساده

(۴) $\text{Res}_{z=0} f(z) = 0$ و $z = 0$ یک قطب مرتبه دو

۳۶- ضریب $\frac{1}{z^4}$ در بسط لوران تابع $f(z) = -\frac{2}{z} + \frac{1}{z-1} + \frac{1}{z-2}$ خارج دایره $|z|=2$ ، کدام است؟

(۱) صفر

(۲) $\frac{7}{2}$

(۳) ۷

(۴) ۹

۳۷- مقدار $\oint_{|z|=1} z^n \text{Ln} z dz$ ؛ $n \in \mathbb{Z}, n \neq -1$ ، کدام است؟ (شاخه اصلی لگاریتم طبیعی است و

$-\pi < \text{Arg} z \leq \pi$)

(۱) $\frac{(-1)^{n+1}}{(n+1)^2}$

(۲) $\pi i \frac{(-1)^{n+1}}{n+1}$

(۳) $\frac{2(-1)^{n+1}}{(n+1)^2}$

(۴) $2\pi i \frac{(-1)^{n+1}}{n+1}$

۳۸- مقدار $\oint_{|z|=2} \frac{\cos \frac{1}{z}}{z} dz$ ، کدام است؟ (\bar{z} مزدوج مختلط z است).

(۱) $-\frac{1}{4}\pi i$

(۲) صفر

(۳) $\frac{1}{4}\pi i$

(۴) وجود ندارد.

۳۹- مقدار $\oint_{|z|=2} ze^{z-1} dz$ ، کدام است؟

(۱) $4\pi i$

(۲) $3\pi i$

(۳) $2\pi i$

(۴) πi

۴۰- نقش تصویر ناحیه $D = \{z : |z-1| < 1, \text{Im}(z) > 0\}$ تحت تبدیل $w = \frac{z}{z-2}$ ، کدام است؟

(۱) $\{z : \text{Re}(z) > 0, \text{Im}(z) > 0\}$

(۲) $\{z : \text{Re}(z) < 0, \text{Im}(z) > 0\}$

(۳) $\{z : \text{Re}(z) < 0, \text{Im}(z) < 0\}$

(۴) $\{z : \text{Re}(z) > 0, \text{Im}(z) < 0\}$

شیمی کاربردی:

۴۱- منحنی تعادلی توزیع یک جسم منتقل شونده بین دو فاز به صورت $Y = \frac{y}{1-y}$ (فاز E)، بر حسب $X = \frac{x}{1-x}$ (فاز R) رسم شده است.

اگر این جسم در یک تماس مداوم و متقابل از فاز E به فاز R منتقل شود، خط کار چگونه قرار خواهد گرفت؟

(۱) بالای منحنی تعادلی با شیب مثبت

(۲) پایین منحنی تعادلی با شیب مثبت

(۳) بالای منحنی تعادلی با شیب منفی

(۴) پایین منحنی تعادلی با شیب منفی

۴۲- یک سیال با سرعت معین درون لوله جریان دارد. اگر با دو برابر شدن سرعت، افت فشار حدود چهار برابر شود، می توان نتیجه گرفت که حرکت سیال در کدام ناحیه است؟

(۱) آرام

(۲) گذرا

(۳) درهم شدید

(۴) درهم ضعیف

۴۳- انتهای یک لوله بلند توسط دریچه ای مسدود شده که تحمل 10 kPa فشار را دارد. این لوله به صورت مایل با زاویه 30° درجه نسبت به افق قرار گرفته است. بیشترین طولی که می توان درون لوله آب ریخت تا دریچه باز نشود، چند متر است؟

(۱) ۱

(۲) ۲

(۳) ۳

(۴) ۴

۴۴- جریان سیال در دو طرف یک صفحه فلزی مسطح برای تبادل گرما برقرار است. ضریب کلی انتقال گرما (برای اختلاف دمای بین سیالات) برای سیال با کدام حالت فیزیکی و در تماس با کدام نوع صفحه فلزی بیشتر است؟

(۱) مایع - ضخیم

(۲) گازی - ضخیم

(۳) گازی - نازک

(۴) مایع - نازک

۴۵- هرگاه سینی خوراک برای تقطیر یک خوراک ایده آل با دو سازنده در وسط ستون تقطیر قرار داشته باشد، محتمل ترین وضعیت خوراک کدام است؟

(۱) مایع اشباع

(۲) بخار اشباع

(۳) مایع سرد

(۴) مخلوط مایع و بخار

- ۴۶- خوراکی شامل ۵۰ درصد مولی از سازنده سبک و سازنده سنگین، تحت فرایند تقطیر مداوم آبی (یک مرحله‌ای) در فشار ثابت قرار می‌گیرد. اگر رابطه تعادلی به صورت $y = \frac{2x}{x+1}$ باشد، به ترتیب، کمترین و بیشترین کسر مولی سازنده سبک که می‌توان در محصول مقطر به دست آورد، کدام است؟
- (۱) ۰/۳۳ و ۰/۵
(۲) ۰/۵ و ۰/۶۶
(۳) ۰/۳۳ و ۰/۶۶
(۴) ۰/۵ و ۰/۹۹
- ۴۷- اگر قلیائیت آب زیاد باشد، کدام مطلب به یقین درست است؟
- (۱) سختی دائم آب کم است.
(۲) تغییرات pH آب کم است.
(۳) pH آب باید بیشتر از ۱۰/۵ باشد.
(۴) pH آب باید بیشتر از ۸/۳ باشد.
- ۴۸- هرگاه از یک ستون سینی‌دار برای تماس مایع و گاز استفاده شود و در آن شدت جریان مایع زیاد و شدت جریان گاز کم باشد، کدام پدیده اتفاق می‌افتد؟
- (۱) ریزش آزاد (dumping)
(۲) انسداد (priming)
(۳) طغیان کردن (flooding)
(۴) چکه کردن (weeping)
- ۴۹- یک لایه ۲ میلی‌متری از جنس مس با دمای سطح 50°C با یک لایه ۵ میلی‌متری از عایق با دمای سطح 20°C در تماس است. دمای بین لایه مس و لایه عایق حدود چند درجه سلسیوس است؟
- (۱) ۵۰
(۲) ۴۵
(۳) ۴۰
(۴) ۳۵
- ۵۰- از لوله‌ای به قطر ۴۰ cm و طول ۱۰۰ m برای انتقال بخار آب استفاده می‌شود. دمای سطح خارجی لوله 40°C ، در هوای 20°C قرار دارد و ضریب انتقال حرارت بین هوا و لوله برابر $10 \frac{\text{W}}{\text{m}^2\text{C}}$ است. شار (فلاکس) گرمای اتلافی از این لوله چند وات بر مترمربع است؟
- (۱) ۱۰۰
(۲) ۲۰۰
(۳) ۳۰۰
(۴) ۴۰۰
- ۵۱- اگر دستگاهی بتواند هر قطره را به ۱۰۰۰ قطره یک اندازه تقسیم کند و شعاع قطره ورودی به این دستگاه برابر ۱ cm باشد، شعاع قطرات خروجی کدام است؟
- (۱) π میکرون
(۲) ۱ میکرون
(۳) ۱ میلی‌متر
(۴) π میلی‌متر
- ۵۲- کدام مفهوم درباره ضریب نفوذ ماده A (D_A) و ضریب انتقال جرم ماده A (K_C) درست است؟
- (۱) D_A تابعی از K_C است.
(۲) D_A با K_C برابر است.
(۳) K_C تابعی از D_A است.
(۴) فقط برای فاز گاز تعریف می‌شود.
- ۵۳- پویز (P)، یکای معرف کدام مفهوم است؟
- (۱) گرانیروی (ویسکوزیته)
(۲) تنش عمودی (فشار)
(۳) تنش مماسی
(۴) کشش سطحی

۵۴- دمای سطح خارجی دیواره کوره‌ای که در معرض هواست برابر 40°C و شار حرارت اتلافی از این کوره برابر $200 \frac{\text{W}}{\text{m}^2}$

است. اگر دمای هوا 20°C باشد، ضریب انتقال حرارت جابه‌جایی بین دیواره و هوا چند $\frac{\text{W}}{\text{m}^2\text{C}}$ است؟

(۱) ۱ (۲) ۲

(۳) ۱۰ (۴) ۲۰

۵۵- از میان مواد آهن، آب، هوا و آمونیاک، کدام یک به ترتیب کمترین و بیشترین ضریب هدایت حرارتی را در دمای 5°C دارد؟

(۱) آب - آهن (۲) آب - آمونیاک

(۳) هوا - آمونیاک (۴) هوا - آهن

۵۶- $100 \frac{\text{kg}}{\text{h}}$ محلول ۲۰ درصد سود تا ۶۰ درصد در یک تبخیرکننده یک مرحله‌ای تغلیظ می‌شود. اگر به جای تبخیرکننده

یک مرحله‌ای از تبخیرکننده سه مرحله‌ای استفاده شود، به ترتیب، دبی جرمی سود تغلیظ‌شده خروجی از تبخیرکننده و مقدار بخار مصرفی چه تغییری می‌کنند؟

(۱) کمتر می‌شود - کمتر می‌شود (۲) ثابت می‌ماند - کمتر می‌شود

(۳) ثابت می‌ماند - ثابت می‌ماند (۴) کمتر می‌شود - ثابت می‌ماند

۵۷- هرچه قطره آب ریزتر باشد، کروی تر است. این مطلب نشان‌دهنده کدام ویژگی آب است؟

(۱) کشش سطحی (۲) ضریب نفوذ گرمایی

(۳) ظرفیت گرمایی (۴) ضریب نفوذ مولکولی

۵۸- کدام مشخصه معرف ذرات ریز معلق آب است؟

(۱) COD (۲) TDS (۳) NTU (۴) BOD

۵۹- غلظت املاح آب تصفیه‌شده از کدام روش (در سامانه‌های ایده‌آل) بیشترین است؟

(۱) اسمز معکوس (۲) تقطیر یک مرحله‌ای

(۳) رزین مختلط (کاتیونی + آنیونی) (۴) تقطیر چند مرحله‌ای

۶۰- برای تصفیه هوای آلوده به گاز CS_2 از یک حلال مایع در یک برج جذب آکنده از حلقه‌های سرامیکی یک اینچی استفاده می‌شود. افزایش فشار و دما در این برج، به ترتیب چه تأثیری بر خلوص هوای تصفیه‌شده دارد؟

(۱) کاهش - افزایش (۲) کاهش - کاهش

(۳) افزایش - افزایش (۴) افزایش - کاهش

فیزیک جدید:

۶۱- فلز پتاسیم دارای تابع کار (Work Function) برابر ۲ الکترون‌ولت است. نور بنفش با انرژی $4/8 \times 10^{-19}$ ژول روی فلز تابیده می‌شود. انرژی ماکزیمم فوتوالکترون‌ها چند الکترون‌ولت است؟

(۱) ۱

(۲) ۲

(۳) ۳

(۴) ۴

- ۶۲- فرکانس آستانه در رابطه با اثر فوتوالکتريک کدام است؟
 (۱) نورهايی که فرکانس آنها از آستانه کمتر باشد، قادر به توليد مقدار بيشتري الکترون هستند.
 (۲) نورهايی که فرکانس آنها از آستانه بيشتتر باشد، قادر به توليد مقدار بيشتري الکترون هستند.
 (۳) نورهايی که فرکانس آنها از آستانه کمتر باشد، قادر به خروج الکترون از فلز نيستند.
 (۴) نورهايی که فرکانس آنها از آستانه کمتر باشد، قادر به خروج الکترون از فلز هستند.
- ۶۳- کدام یک از مُعضلات حل نشده زیر در فيزيک کلاسيک با کمک نسبت خاص انشتين حل شد؟
 (۱) حرکت براونی (۲) مدار عطارد (۳) تابش جسم سیاه (۴) اثر فوتوالکتريک
- ۶۴- تابش چرنکوف در چه شرايطی ايجاد می شود؟
 (۱) جريان نوترون در راکتورهای اتمی
 (۲) حرکت ذره باردار در خلاء با سرعت نور
 (۳) حرکت ذره باردار در داخل ماده با سرعتی بيشتتر از سرعت نور در محيط مادی
 (۴) حرکت ذره باردار در داخل ماده با سرعتی بيشتتر از سرعت نور در محيط خلاء
- ۶۵- کدام مورد، کُلّی ترين شکل بيان انرژی جنبشی است؟
 (۱) $\frac{1}{2}mv^2$
 (۲) $mc^2 - m_0c^2$
 (۳) $mc^2 + m_0c^2$
 (۴) $m_0c^2 + \frac{1}{2}mv^2$
- ۶۶- کدام پديده در نهايت موجب اثبات تئوری وجود اتمها در ماده گردید؟
 (۱) نسبت خاص (۲) نسبت عام (۳) حرکت براونی (۴) اشعه کاتودیک
- ۶۷- احتمال وجود یک ذره اتمی در یک محل چه رابطه ای با تابع موج ψ دارد؟
 (۱) با مجذور آن متناسب است.
 (۲) با عکس مجذور آن متناسب است.
 (۳) با تابع موج به صورت خطی متناسب است.
 (۴) با طول موج دوبروی وابسته به آن متناسب است.
- ۶۸- اصل عدم قطعیت با کدام رفتار الکترون مغايرت دارد؟
 (۱) حضور الکترون در داخل اتم (۲) حضور الکترون در داخل هسته
 (۳) حضور الکترون آزاد (۴) حضور الکترون نسبیتی
- ۶۹- کدام مورد در بيان مُدل اتمی رادرفورد مشکل آفرين است؟
 (۱) پايشنگی انرژی (۲) قانون حرکت نيوتون
 (۳) قانون نیروی کولومب (۴) پخش امواج ناشی از حرکت شتابدار الکترون
- ۷۰- مُدل اتمی بوهر چه اصلاحي در مُدل اتمی رادرفورد وارد کرد؟
 (۱) محيط مدار گردش الکترون به دور هسته، مضرّب درستی از طول موج روبه روی الکترون است.
 (۲) استفاده از نسبت خاص به جای قانون حرکت نيوتون
 (۳) استفاده از اصل عدم قطعیت هایزنبرگ
 (۴) استفاده از طيف نشري هيدروژن

۷۱- اصل انطباق (Correspondence) چه می گوید؟

(۱) دوگانگی موج - ذره

(۲) هم‌ارزی جرم - انرژی

(۳) به‌ازای مقادیر بزرگ عدد کوانتوم، نتایج فیزیک کوانتوم و فیزیک کلاسیک مشابه‌اند.

(۴) به‌ازای مقادیر کوچک عدد کوانتوم، نتایج فیزیک کوانتوم و فیزیک کلاسیک مشابه‌اند.

۷۲- کدام معادله، بیان‌کننده معادله شرودینگر است. که در آن ψ ، E و V به ترتیب تابع موج، انرژی کل و انرژی

پتانسیل است؟ (K^2 یک ضریب ثابت است).

$$\nabla^2 \psi - K^2 \psi = 0 \quad (۱)$$

$$\nabla^2 \psi = 0 \quad (۲)$$

$$\nabla^2 \psi + K^2 \psi = 0 \quad (۳)$$

$$\nabla^2 \psi + K^2 (E - V) \psi = 0 \quad (۴)$$

۷۳- اصل انحصار (Exclusion Principle) ناظر بر کدام یک از موارد زیر است؟

(۱) الکترون آزاد دارای اعداد کوانتومی مختص به خود است.

(۲) هر الکترون در اتم، اعداد کوانتومی مختص به خود را داراست.

(۳) فوتون نشرشده از اتم دارای اعداد کوانتومی مختص به خود است.

(۴) اشعه ایکس نشرشده از اتم دارای خواص منحصر به فرد (انحصاری) است.

۷۴- کدام مورد تخمین خوبی از شعاع هسته در آزمایش رادرفورد است؟

$$10^{-15} \text{ m} \quad (۱)$$

$$10^{-15} \text{ cm} \quad (۲)$$

$$10^{-10} \text{ m} \quad (۳)$$

$$10^{-10} \text{ cm} \quad (۴)$$

۷۵- با نظر داشت اصل عدم قطعیت و ثابت پلانک h ، از دیدگاه مکانیک آماری محل یک ذره در فضای فاز کجاست؟

(۱) سلولی در حجم واحد و عدم قطعیت h

(۲) سلولی با حجمی حداقل برابر h^3 یا بیشتر

(۳) سلولی با حجمی حداکثر برابر h^3 یا کوچک‌تر

(۴) مختصات دقیق مکانی و اندازه حرکت، توأمان میسر است.

۷۶- با توجه به جایگاه فلزات قلیائی در جدول مندلیف، افزایش عدد اتمی چه تغییری در خواص آنها ایجاد می‌کند؟

(۱) تغییر ناچیز در فعالیت شیمیایی

(۲) تغییر حالت به سمت مایع و گاز

(۳) کاهش فعالیت شیمیایی

(۴) افزایش فعالیت شیمیایی

۷۷- تشعشعات صادرشده در اثر گرم کردن اجسام جامد در حد التهاب، کدام ویژگی را دارند؟

(۱) فقط طول‌موج‌های خاصی که مبین خواص اتمی یا مولکولی ماده است.

(۲) تمام طول‌موج‌ها اما با شدت‌های یکسان

(۳) تمام طول‌موج‌ها و با شدت‌های متفاوت

(۴) سری خطوط روشن موسوم به سری بالمر

۷۸- از دیدگاه مکانیک کوانتوم، دانسیته احتمال یافتن الکترون در اتم هیدروژن در چه فاصله‌ای از هسته، r ، ماکزیمم

است، به طوری که r_0 شعاع اولین مدار الکترون در اتم بوهر بوده باشد؟

$$r_0 \quad (۱)$$

$$5r_0 \quad (۲)$$

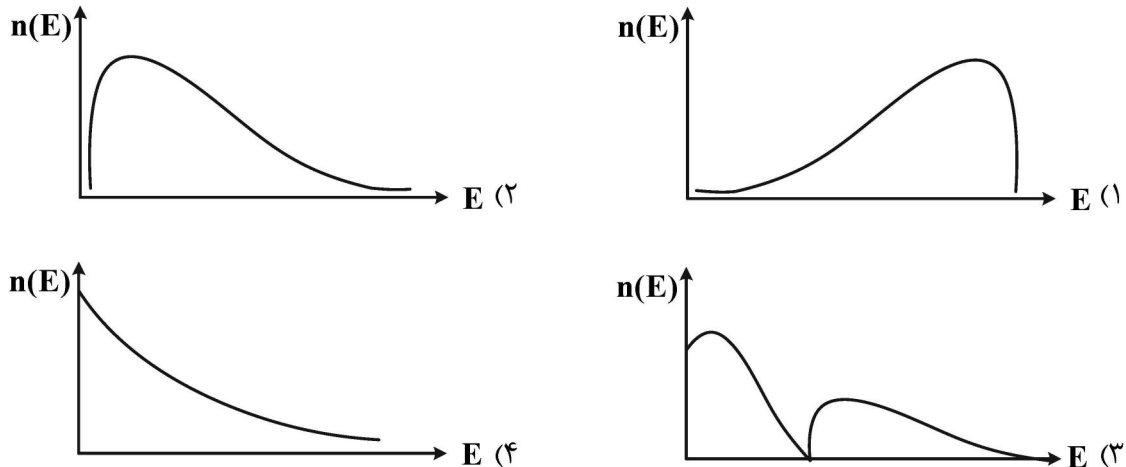
$$10r_0 \quad (۳)$$

$$(r = 0) \text{ مرکز اتم} \quad (۴)$$

۷۹- چگالی انرژی تشعشع شده در واحد زمان از یک جسم سیاه چه رابطه‌ای با دمای مطلق آن، T ، دارد؟

- (۱) $\sim T$
- (۲) $\sim T^2$
- (۳) $\sim T^3$
- (۴) $\sim T^4$

۸۰- نمودار توزیع ماکسول - بولتزمان (تعداد مولکول بر حسب انرژی) با کدام شکل مشابهت دارد؟



شیمی فیزیک و ترمودینامیک:

۸۱- در دمای 500K در آلیاژ $\text{Zn}-\text{Al}$ رابطه $\frac{\ln \gamma_{\text{Al}}}{X_{\text{Zn}}^2} = 2$ ، برقرار است. $\ln a_{\text{Zn}}$ در آلیاژ $X_{\text{Zn}} = 0.5$ کدام است؟

($\ln 2 = 0.7$)

- (۱) $-1/4$
- (۲) -0.35
- (۳) 0.35
- (۴) 0.7

۸۲- در یک محلول دو جزئی $A-B$ در دمای T حد حلالیت B در A برابر ۲ درصد است اما در B حل نمی‌شود. اگر محلول مذکور از B رقیق باشد، ضریب هنری در آن کدام است؟

- (۱) ۲۰
- (۲) ۴۰
- (۳) ۵۰
- (۴) ۶۰

۸۳- در سیستم دوتایی $A-B$ ، A و B در حالت جامد در یکدیگر کاملاً نامحلول هستند. آلیاژ مذابی حاوی $X_B = 0.7$ را از دمای بالا به آرامی تا دمای 527°C سرد می‌کنیم. اکتیویته B در مذاب نسبت به حالت استاندارد مذاب و خالص کدام است؟

$T_m^B = 727^\circ\text{C}$, $L_f^B = 6400 \frac{\text{J}}{\text{mol}}$, $R = 8 \frac{\text{J}}{\text{mol.K}}$, $e^{1/2} = 1.2$

- (۱) 0.8
- (۲) 0.5
- (۳) 0.6
- (۴) ۱

۸۴- در یک فرایند هم‌دمای غیربرگشت‌پذیر، تغییرات ΔS (تغییر آنتروپی برحسب $\frac{\text{cal}}{\text{mol}}$) و ΔA (انرژی آزاد هلمولتز

برحسب $\frac{\text{cal}}{\text{mol.K}}$) برای یک مول گاز ایده‌آل تک‌اتمی در دمای 1000K وقتی فشار گاز از 10 اتمسفر به یک اتمسفر

برسد، کدام است؟

$$R = 2 \frac{\text{cal}}{\text{mol.K}}$$

$$C_V = 3 \frac{\text{cal}}{\text{mol.K}}$$

$$\Delta S = 2/3 \quad \Delta A = -2300 \quad (1)$$

$$\Delta S = 4/6 \quad \Delta A = -4600 \quad (2)$$

$$\Delta S = -4/6 \quad \Delta A = 4600 \quad (3)$$

(۴) چون فرایند غیربرگشت‌پذیر است قابل محاسبه نیست.

۸۵- برای یک گاز واندروالسی $\frac{\text{lit}^2 \cdot \text{atm}}{\text{mol}^2}$ $a = 3/6$ است. تغییرات انرژی درونی این گاز نسبت به حجم در دمای ثابت و

حجم $V = 6\text{lit}$ چند اتمسفر بر مول است؟

$$0/2 \quad (2)$$

$$0/1 \quad (1)$$

$$0/4 \quad (4)$$

$$0/3 \quad (3)$$

۸۶- رابطه $\left(\frac{\partial T}{\partial P}\right)_S$ کدام است؟

$$\frac{C_V \beta}{T \alpha} \quad (2)$$

$$-\frac{C_p}{C_V \beta} \quad (1)$$

$$\frac{V \alpha}{\beta} + C_p \quad (4)$$

$$\frac{\alpha V T}{C_p} \quad (3)$$

۸۷- در واکنش: $P_4(g) \rightarrow 2P_2(g)$ ثابت تعادل برابر است با $25 - \ln T + \frac{-27000}{T}$ ، مقدار آنتالپی

استاندارد واکنش در دمای 1000 کلوین چند کالری بر مول است؟

$$-28000 \quad (2)$$

$$-56000 \quad (1)$$

$$56000 \quad (4)$$

$$28000 \quad (3)$$

۸۸- گاز نیتروژن رفتار واندروالسی دارد و $a = 1/5 \frac{\text{lit}^2 \cdot \text{atm}}{\text{mol}^2}$ و $b = 0/04 \frac{\text{lit}}{\text{mol}}$ است. تغییر آنتروپی این گاز به ازای

هر مول طی فرایندی که در دمای ثابت حجم آن از 1 به 2 لیتر افزایش پیدا کند، تقریباً چند $\left(\frac{\text{cal}}{\text{K}}\right)$ است؟

$$4 \ln 2 \quad (2)$$

$$5 \ln 2 \quad (1)$$

$$\ln 2 \quad (4)$$

$$2 \ln 2 \quad (3)$$

۸۹- در یک محلول با قاعده $\text{Bi}-\text{Cd}$ ، مقدار $\ln \gamma_{\text{Bi}}$ در حالتی که $(\Omega = \gamma RT)$ و $X_{\text{Cd}} = 0/2$ باشد، کدام است؟

$$0/14 \quad (2)$$

$$-0/14 \quad (1)$$

$$0/28 \quad (4)$$

$$-0/28 \quad (3)$$

۹۰- در محلول $A - 50\% B$ نسبت به خالص برابر $3/5$ است. ضریب اکتیویته B در محلول فوق نسبت به حالت استاندارد هنری ۱ درصد اتمی B در A کدام است؟ (می‌دانیم در محلول‌های $A - B$ خیلی رقیق از B ، ضریب اکتیویته B نسبت به B خالص برابر $2/5$ است.)

- (۱) ۳ (۲) $1/4$ (۳) ۱ (۴) $5/5$

۹۱- در سیستم دو جزئی در فشار و دمای ثابت داده‌شده، حداکثر فازهایی که می‌توانند با هم در تعادل باشند، کدام است؟

- (۱) ۱ (۲) ۲ (۳) ۳ (۴) ۴

۹۲- اگر فشار $NH_3(g)$ در تعادل با $NH_4Cl(s)$ در دمای $300K$ برابر 10^{-8} اتمسفر باشد، ضریب تعادل تجزیه $NH_4Cl(s)$ به $NH_3(g)$ و $HCl(g)$ در $300K$ کدام است؟

- (۱) 10^{+8} (۲) 10^{-8} (۳) 10^{-16} (۴) $10^{-16} \times 5/5$

۹۳- اگر ده مول گاز ایده‌آل دو اتمی در دمای ثابت $300K$ از 20 لیتر به 100 لیتر در مقابل فشار خارجی یک اتمسفر افزایش حجم یابد. مقدار تغییرات انرژی داخلی و حرارت رد و بدل شده به سیستم کدام است؟ (برای این گاز $C_V = 2/5R$ است.)

(۱) $\Delta U = 0$ و $\delta Q = 1500 \text{ cal}$ (۲) $\Delta U = 1500 \text{ cal}$ و $\delta Q = 1500 \text{ cal}$

(۳) $\Delta U = 1500 \text{ cal}$ و $\delta Q = -1500 \text{ cal}$ (۴) $\Delta U = 0$ و $\delta Q = 80 \text{ lit. atm}$

۹۴- در یک فرایند هم‌دمای برگشت‌پذیر، تغییرات ΔS و حرارت رد و بدل شده برای ۵ مول گاز ایده‌آل دو اتمی وقتی در دمای $500K$ تغییرات حجم از یک لیتر به ده لیتر برسد، کدام است؟

$$C_p = \gamma \frac{\text{cal}}{\text{mol.K}}$$

(۱) $\Delta S = 23 \frac{\text{cal}}{\text{mol.K}}$ و $\delta Q = 11500 \text{ cal}$

(۲) $\Delta S = 4/6 \frac{\text{cal}}{\text{mol.K}}$ و $\delta Q = 2300 \text{ cal}$

(۳) $\Delta S = -23 \frac{\text{cal}}{\text{mol.K}}$ و $\delta Q = -23000 \text{ cal}$

(۴) $\Delta S = -4/6 \frac{\text{cal}}{\text{mol.K}}$ و $\delta Q = -2300 \text{ cal}$

۹۵- اگر در یک سیکل بازگشتی مقدار کل حرارت رد و بدل شده $|Q|$ صفر باشد. مقدار کل کار رد و بدل شده $|W|$ چه مقدار خواهد بود؟

(۱) $|W| > 0$ (۲) $|W| = 0$

(۳) $|W| \geq 0$ (۴) با این اطلاعات قابل محاسبه نیست.

۹۶- برای یک ماده در $300K$ و فشار یک اتمسفر اطلاعات زیر موجود است. برای این ماده $\left(\frac{\partial H}{\partial P}\right)_T$ ، کدام است؟

$$C_p = 30 \frac{\text{cal}}{\text{mol.K}} \text{ و } V = 100 \left(\frac{\text{cm}^3}{\text{mol}}\right) \text{ و } \left(\frac{\partial V}{\partial T}\right)_P = 0.1 \frac{\text{cm}^3}{\text{K}}$$

$$\left(\frac{\partial V}{\partial T}\right)_T = 0.01 \frac{\text{cm}^3}{\text{atm}}$$

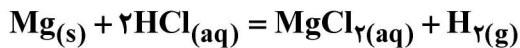
(۱) 130 cm^3 (۲) $120 \text{ cm}^3 \cdot \text{atm}$

(۳) $90 \text{ cm}^3 \cdot \text{atm}$ (۴) 70 cm^3

۹۷- در یک تحول بازگشت پذیر انبساطی ایزوترم، میزان تغییر انرژی داخلی سیستم ۲۰۰ کالری و افزایش آنتروپی $1 \frac{\text{cal}}{\text{K}}$ است. اگر کار انجام شده توسط سیستم ۱۰ کالری باشد، دمای سیستم و نیز حداکثر مقدار کار کدام است؟

- (۱) ۲۱۰ K، صفر کالری
 (۲) ۲۱۰ K، ۱۰ کالری
 (۳) ۲۰۰ K، صفر کالری
 (۴) ۲۰۰ K، ۲۰۰ کالری

۹۸- در واکنش زیر کار انبساطی انجام شده توسط سیستم چند کالری بر مول است؟



$$T = 298\text{K}$$

$$P = 1\text{atm}$$

- (۱) ۱۰۰
 (۲) ۲۰۰
 (۳) ۶۰۰
 (۴) ۱۰۰۰

۹۹- برای یک مول آلیاژ $50\% \text{A} - 50\% \text{B}$ دارای رفتار با قاعده اکتیویته جزء A در دمای ۱۰۰۰ K کدام است؟

$$G^{\text{XS}} (\text{Cal}) = -8000 X_A X_B$$

$$e = 2.7$$

- (۱) ۰/۱۹
 (۲) ۰/۵
 (۳) ۰/۰۵
 (۴) ۰/۸۵

۱۰۰- اگر در داخل محلول مذاب $50\% \text{A} - 50\% \text{B}$ و دمای ۱۵۰۰ K مقدار ۵۰ مول گاز خنثی دمیده شود و در نتیجه مقدار ۰/۵۶ گرم از A تبخیر شود و گاز حاصله با فشار ۵۰ اتمسفر از مذاب خارج شود، فشار جزئی A در بخار چند اتمسفر است؟ ($M_A = 56$)

- (۱) ۱۲۵
 (۲) ۱۰/۵۰
 (۳) ۱
 (۴) ۰/۰۱

خواص فیزیکی و مکانیکی مواد:

۱۰۱- دو بلور آهن و سیلیسیم را تحت خمش قرار می دهیم، علت اصلی مقدار بسیار کم زاویه خمش Si نسبت به Fe کدام است؟

- (۱) ماهیت ترد پیوند یونی در Si
 (۲) وجود ۱۲ صفحه فشرده در Fe
 (۳) ماهیت جهت دار پیوند در Si
 (۴) قرارگیری صفحات با بار همنام حین تغییر فرم

۱۰۲- حین یک استحاله آلوتروپیک حجم سلول واحد نصف می شود. در صورتی که تعداد اتم های موجود در یک سلول واحد حین این استحاله آلوتروپیک ۱/۵ برابر شود، تغییر حجم حاصل از این استحاله آلوتروپیک چند درصد خواهد بود؟

- (۱) ۶۶ درصد انقباض
 (۲) ۶۶ درصد انبساط
 (۳) ۲۵ درصد انقباض
 (۴) ۲۵ درصد انبساط

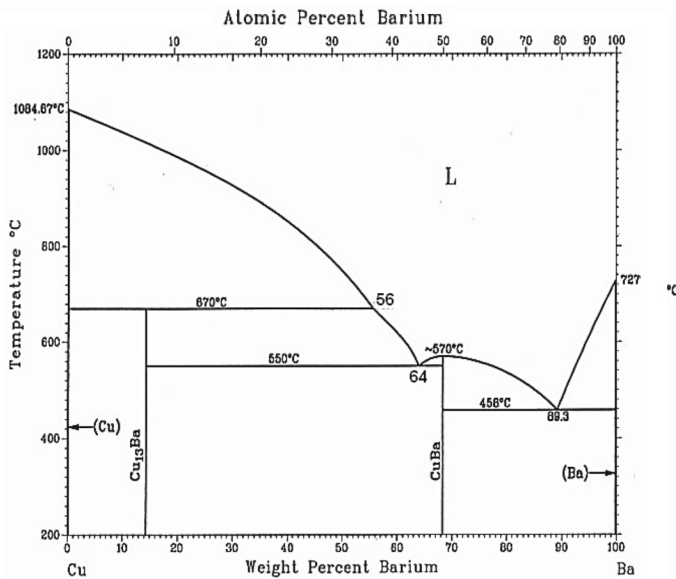
۱۰۳- AB یک ماده یونی با سلول واحد مکعبی است. با توجه به اینکه شعاع یونی A^{2+} و B^{2-} به ترتیب ۰/۸۳ و ۱/۳۲ آنگستروم است، ساختار کریستالی آن مشابه ساختار کریستالی کدام ماده یونی زیر است؟

- (۱) CsCl
- (۲) NaCl
- (۳) ZnS
- (۴) CaF_2

۱۰۴- آنالیز تصویری یک میکروگراف از یک آلیاژ چدنی نشان می دهد که ریزساختار این آلیاژ شامل ۳ درصد وزنی گرافیت، ۷۵ درصد وزنی پرلیت و مابقی فریت است. درصد وزنی کربن در این چدن کدام است؟

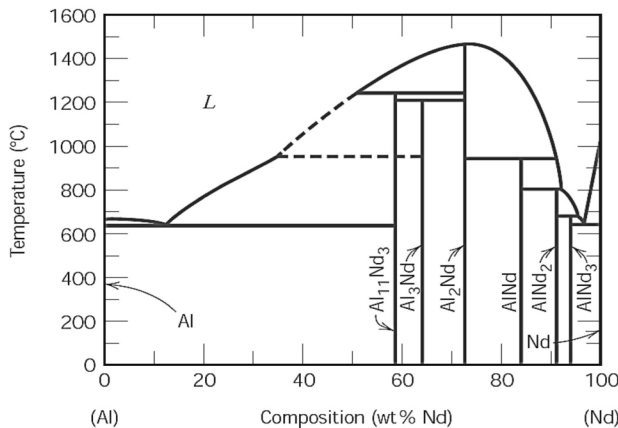
- (۱) ۴
- (۲) ۳/۸
- (۳) ۳/۶
- (۴) ۳/۲

۱۰۵- دیاگرام فازی تعادلی Cu - Ba در شکل زیر نشان داده شده است. تقریباً چند درصد مذاب در انجماد آلیاژ $Cu - 30 \text{ wt. \% Ba}$ حین واکنش پری تکتیک انجام می شود؟



- (۱) ۱۲
- (۲) ۱۶
- (۳) ۴۶
- (۴) ۶۰

۱۰۶- با توجه به دیاگرام فازی Al-Nd، چند ترکیب بین فلزی در این سیستم از طریق واکنش پری تکتیک تولید می شوند؟



- (۱) ۲
- (۲) ۳
- (۳) ۴
- (۴) ۵

۱۰۷- با توجه به جدول زیر در مورد حلالیت A و B در هم کدام مورد درست است؟

عنصر	ساختار	شعاع اتمی (nm)	الکترون گاتیویته	ظرفیت
A	FCC	۰/۱۴۳	۱/۵	۳
B	FCC	۰/۱۲۸	۱/۸	۱

(۱) A و B حلالیت ندارند.

(۲) A و B در هم حلالیت کامل دارند.

(۳) حلالیت A در B بیشتر از حلالیت B در A است.

(۴) حلالیت B در A بیشتر از حلالیت A در B است.

۱۰۸- برای سخت کاری سطحی یک چرخ دنده فولادی لازم است تا چرخ دنده به مدت ۴ ساعت در دمای 900°C تحت عملیات کربن دهی سطحی قرار گیرد. در صورتی که زمان عملیات حرارتی به ۲ ساعت کاهش پیدا کند، انتظار دارید عمق نفوذ کربن چند درصد نسبت به حالت قبل کاهش پیدا کند؟

(۱) ۳۰

(۲) ۵۰

(۳) ۶۰

(۴) ۷۰

۱۰۹- پایداری حرارتی کدام یک از ریزساختارهای زیر در یک فولاد بیشتر است؟

(۱) فولاد با ریزساختار کاملاً فریتی کار سرد شده

(۲) فولاد با ریزساختار کاملاً مارتزیتی کوئینچ شده در آب

(۳) فولاد با ریزساختار مارتزیت تمپر شده در دمای 200°C

(۴) فولاد با ریزساختار مارتزیت تمپر شده در دمای 650°C

۱۱۰- انرژی سطحی یک کریستال حدود $\frac{1}{2} \frac{\text{J}}{\text{m}^2}$ است. انرژی مرزدانه‌های زاویه بزرگ در این کریستال چند $\frac{\text{J}}{\text{m}^2}$ است؟

(۱) ۰/۳

(۲) ۰/۴

(۳) ۰/۶

(۴) ۱/۸

۱۱۱- کدام گزینه در مورد مقایسه دو مکانیزم خزشی کوبل و نابارو - هرینگ نادرست است؟

(۱) تأثیر مرزدانه در مکانیزم خزشی نابارو - هرینگ بیشتر از کوبل است.

(۲) در مکانیزم خزشی کوبل ضریب نفوذ مرزدانه مورد استفاده قرار می‌گیرد.

(۳) مکانیزم خزشی کوبل در دماهای کمتری نسبت به نابارو - هرینگ رخ می‌دهد.

(۴) در مکانیزم خزشی نابارو - هرینگ انرژی فعال سازی حجمی مورد استفاده قرار می‌گیرد.

۱۱۲- برای ماده‌ای رابطه $\sigma = k\varepsilon^{1/6}$ برقرار است. اگر تنش حقیقی در ماکزیمم نیرو 552 MPa باشد، کرنش حقیقی در ماکزیمم نیرو کدام است؟

(۱) ۰/۱۵

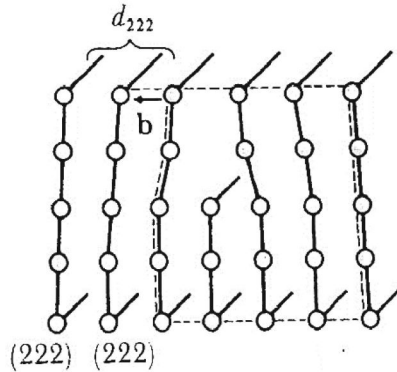
(۲) ۰/۳

(۳) ۰/۶

(۴) ۰/۹

- ۱۱۳- کدام گزینه در مورد مشاهده ایجاد تسلیم بالا و پایین درست است؟
- (۱) چگالی نابه‌جایی‌های متحرک زیاد باشد.
 - (۲) چگالی نابه‌جایی‌های متحرک کم و نرخ کارسختی زیاد باشد.
 - (۳) چگالی نابه‌جایی‌های متحرک زیاد و حساسیت سرعت نابه‌جایی به تنش زیاد باشد.
 - (۴) چگالی نابه‌جایی‌های متحرک کم و حساسیت سرعت نابه‌جایی به تنش کم باشد.
- ۱۱۴- در اثر پدیده پیرسازی کرنشی (اثر پورته‌وین - لوشاتلیه) چه تغییراتی در ماده ایجاد می‌شود؟
- (۱) بازگشت نقطه تسلیم - کاهش تنش تسلیم - کاهش شکل‌پذیری - کاهش حساسیت به آهنگ کرنش
 - (۲) بازگشت نقطه تسلیم - کاهش تنش تسلیم - افزایش شکل‌پذیری - کاهش حساسیت به آهنگ کرنش
 - (۳) بازگشت نقطه تسلیم - افزایش تنش تسلیم - کاهش شکل‌پذیری - کاهش حساسیت به آهنگ کرنش
 - (۴) بازگشت نقطه تسلیم - افزایش تنش تسلیم - افزایش شکل‌پذیری - افزایش حساسیت به آهنگ کرنش
- ۱۱۵- در یک کامپوزیت با الیاف پیوسته، با کاربرد قانون مخلوط کدام گزینه در مورد مدول کشسان (الاستیک) درست است؟
- (۱) مدول کشسان به جهت اعمال نیرو بستگی ندارد.
 - (۲) مدول کشسان وقتی نیرو در جهت الیاف باشد، بیشتر است.
 - (۳) مدول کشسان وقتی نیرو در جهت عمود بر الیاف باشد، بیشتر است.
 - (۴) مدول کشسان وقتی نیرو در جهت ۴۵ درجه نسبت به الیاف باشد، بیشتر است.
- ۱۱۶- در قطعه‌ای ترک‌دار در شرایط کرنش صفحه‌ای کدام مورد درست است؟
- (۱) $\sigma_{yy} = 0$
 - (۲) $\sigma_{11} > \sigma_{22} > \sigma_{33}$
 - (۳) تسلیم در رأس ترک وقتی رخ می‌دهد که تنش اعمالی برابر σ_y باشد.
 - (۴) تسلیم در رأس ترک وقتی رخ می‌دهد که تنش اعمالی به اندازه σ_{yy} از σ_y بزرگ‌تر باشد.
- ۱۱۷- آلومینا دارای چقرمگی شکست $4\text{MPa}\sqrt{\text{m}}$ است. در اثر سرد کردن نمونه‌ای از این ماده ترک‌های میکروسکوپی داخلی به طول $\frac{50}{\pi}\mu\text{m}$ تشکیل می‌شود. استحکام کششی این نمونه چند MPa است؟
- (۱) ۸۰۰
 - (۲) ۷۱۰
 - (۳) ۵۶۵
 - (۴) ۵۰۵
- ۱۱۸- کدام گزینه در مورد نابه‌جایی جاگ‌دار درست است؟
- (۱) جاگ روی خط نابه‌جایی لبه‌ای، از نوع پیچشی است و بر حرکت نابه‌جایی تأثیر ندارد.
 - (۲) جاگ روی خط نابه‌جایی لبه‌ای، از نوع نابه‌جایی لبه‌ای است و بر حرکت نابه‌جایی تأثیر ندارد.
 - (۳) جاگ روی خط نابه‌جایی پیچشی، از نوع نابه‌جایی لبه‌ای است و بر حرکت نابه‌جایی تأثیر ندارد.
 - (۴) جاگ روی خط نابه‌جایی پیچشی، از نوع نابه‌جایی پیچشی است و بر حرکت نابه‌جایی تأثیر ندارد.

۱۱۹- در یک شبکه BCC با ثابت شبکه ۴ آنگستروم یک نابه‌جایی طبق شکل زیر وجود دارد. مقدار بردار برگرز این نابه‌جایی چند آنگستروم است؟



- (۱) $\frac{2\sqrt{3}}{3}$
- (۲) $\sqrt{3}$
- (۳) $2\sqrt{3}$
- (۴) $4\sqrt{3}$

۱۲۰- نرخ کرنش مهندسی اعمالی به نمونه کششی $\frac{1}{s} 10^{-4}$ و میزان کرنش مهندسی اعمالی ۲۵٪ است. نرخ کرنش حقیقی کدام است؟

- (۱) $\frac{1}{2500}$
- (۲) $\frac{1}{7500}$
- (۳) $\frac{1}{12500}$
- (۴) $\frac{1}{1250}$

پدیده‌های انتقال (انتقال جرم، مکانیک سیالات، انتقال حرارت):

۱۲۱- انتقال جرم در یک سیستم دو فازی صورت می‌پذیرد. در یکی از فازها عدد اشمیت کوچک ولی عدد شروود بزرگ است. کدام جمله در مورد این فاز درست است؟

- (۱) فاز گازی بوده و محیط آن آرام است.
- (۲) فاز گازی بوده و محیط آن توربولنت است.
- (۳) فاز مایع بوده و محیط آن آرام است.
- (۴) فاز مایع بوده و محیط آن توربولنت است.

۱۲۲- واحد کدام ضریب انتقال جرم $\frac{m}{s}$ است؟

- (۱) K_c
- (۲) K_L
- (۳) K_G
- (۴) K_y

۱۲۳- شار انتقال جرم از سطح یک کره نفتالیتی با کاهش قطر آن از d_1 به $\frac{1}{4} d_1$ (اگر کلیه شرایط عملیاتی در دو حالت یکسان باشد) چند برابر می‌شود؟

- (۱) $\frac{1}{8}$
- (۲) ۴
- (۳) ۲
- (۴) $\frac{1}{4}$

۱۲۴- در یک سیستم گازی واکنش بسیار سریع $A \rightarrow B$ بر روی کاتالیست رخ داده و B در جهت مخالف A نفوذ می‌کند. رابطه بین K_y و F_G کدام است؟

$$F_G = 2K_y \frac{y_A}{\ln \frac{1}{1 - \frac{1}{2}y_A}} \quad (2)$$

$$F_G = 2K_y \frac{\ln y_A}{1 - \frac{1}{2}y_A} \quad (1)$$

$$F_G = \frac{1}{2}K_y \frac{y_A}{\ln \frac{1}{1 - \frac{1}{2}y_A}} \quad (4)$$

$$F_G = \frac{1}{2}K_y \frac{\ln \frac{1}{1 - \frac{1}{2}y_A}}{y_A} \quad (3)$$

۱۲۵- اگر در یک سیستم $Sh = 2$ باشد، کدام مورد درست است؟

(۱) میزان انتقال جرم ناشی از نفوذ، با میزان انتقال جرم ناشی از همرفت برابر است.

(۲) میزان انتقال جرم ناشی از همرفت، ۲ برابر میزان انتقال جرم ناشی از نفوذ است.

(۳) میزان انتقال جرم ناشی از نفوذ، ۲ برابر میزان انتقال جرم ناشی از همرفت است.

(۴) با این مشخصه نمی‌توان رابطه‌ای بین انتقال جرم ناشی از نفوذ و ناشی از همرفت پیدا کرد.

۱۲۶- یک کره نفتالینی در هوای ساکن در حال تصعید است. اگر N_A میزان شار تصعید در لحظه حاضر باشد، کدام

رابطه میزان تغییرات شعاع این کره را نشان می‌دهد؟

(M_A وزن مولکولی و ρ_A دانسیته نفتالین است. سیستم را شبه پایا فرض کنید.)

$$\frac{dr}{dt} = -N_A M_A \rho_A \quad (1)$$

$$\frac{dr}{dt} = -\frac{N_A \rho_A}{M_A} \quad (2)$$

$$\frac{dr}{dt} = -\frac{N_A M_A}{\rho_A} \quad (3)$$

$$\frac{dr}{dt} = -\frac{N_A}{\rho_A M_A} \quad (4)$$

۱۲۷- در یک برج جذب با جریان متقابل و فاکتور جذب یک، در نظر است که مقدار آلاینده از $\frac{\text{مول آلاینده}}{\text{مول هوا}} = 0.2$ به $\frac{\text{مول آلاینده}}{\text{مول هوا}} = 0.1$ کاهش یابد و منحنی تعادل به صورت $Y = 2X$ است.

تعداد اسپینی‌های ایدئال مورد نیاز کدام است؟

(X) $\frac{\text{مول آلاینده}}{\text{مول حلال}}$ و (Y) $\frac{\text{مول آلاینده}}{\text{مول هوا}}$

(۱) ۵

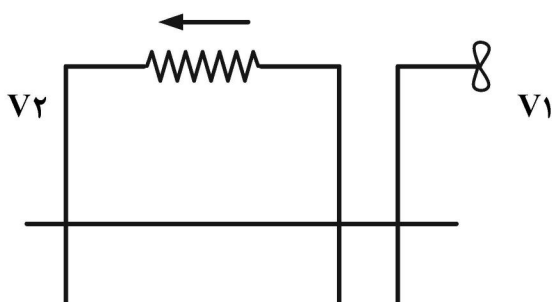
(۲) ۹

(۳) ۱۰

(۴) ۱۸

۱۲۸- یک سشوار از یک لوله با قطر ثابت تشکیل شده که یک مقاومت الکتریکی در داخل آن جایگذاری شده است. یک فن کوچک هوا را در داخل لوله می‌دمد و آن را از روی مقاومت الکتریکی عبور می‌دهد. اگر دانسیته هوا در ورودی و

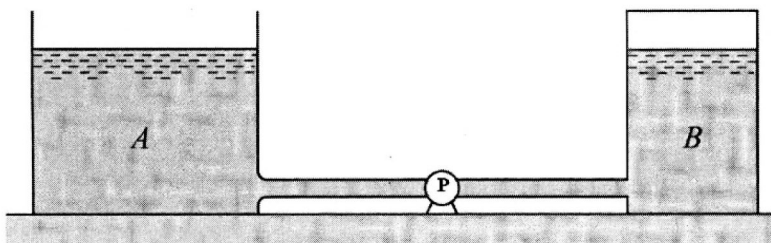
خروجی به ترتیب برابر با $1/155 \frac{\text{kg}}{\text{m}^3}$ و $1/5 \frac{\text{kg}}{\text{m}^3}$ باشد، سرعت هوا در خروجی لوله چند درصد افزایش می‌یابد؟



- (۱) ۸۷
- (۲) ۲۶
- (۳) ۱۴
- (۴) ۱۰

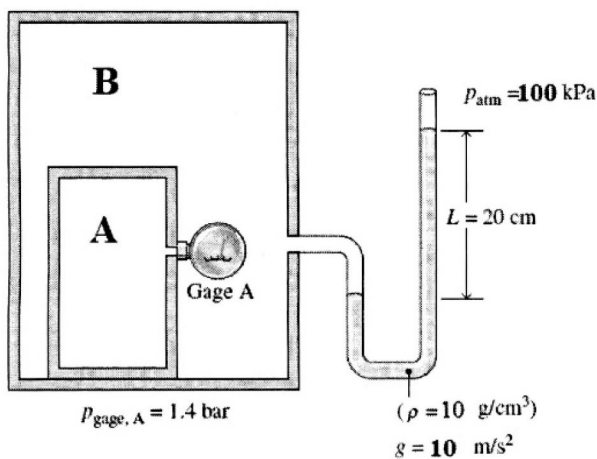
۱۲۹- آب از مخزن A که تحت فشار اتمسفریک است به مخزن ذخیره (B) که تحت فشار گیج ۴۰ kPa بوده، با دبی $3 \times \frac{\text{L}}{\text{s}}$ پمپ می‌شود. طول لوله انتقال یکصد متر و قطر آن ۱۰ سانتی‌متر است. اگر سطح آب در مخازن یکسان و مجموع ضرایب تلفات موضعی، $(\sum K = 10)$ باشد، مقدار توان پمپ چند کیلووات است؟ (ضریب اصطکاک داریسی $(f = 0.01)$)،

شتاب جاذبه $(g = 10 \frac{\text{m}}{\text{s}^2})$ و عدد پی $(\pi = 3)$ و $(\rho_{\text{Water}} = 1000 \frac{\text{kg}}{\text{m}^3})$.



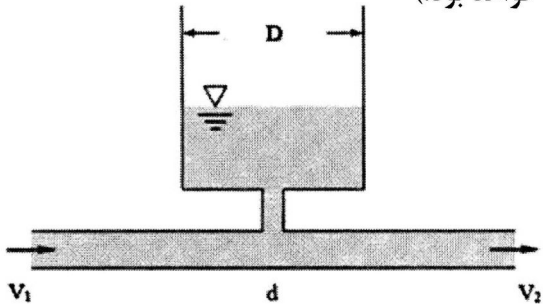
- (۱) ۶
- (۲) ۸
- (۳) ۱۰
- (۴) ۱۵

۱۳۰- مقدار فشار مطلق مخزن A با اطلاعات داده‌شده روی شکل چند بار است؟



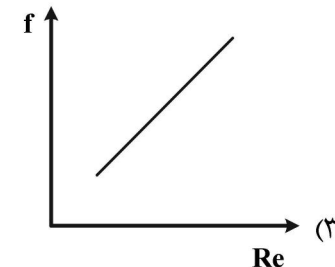
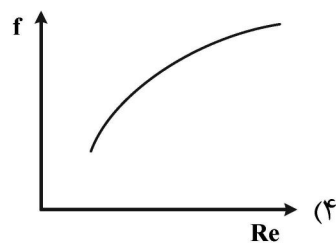
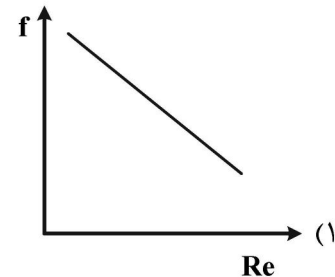
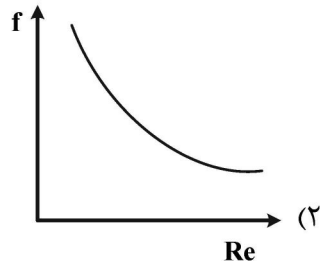
- (۱) ۱/۶
- (۲) ۲/۴
- (۳) ۲/۶
- (۴) ۲/۸

۱۳۱- درون لوله‌ای به قطر d جریان سیال برقرار است. سیال درون لوله با سرعت V_1 وارد شده و با سرعت V_2 خارج می‌شود. مخزن استوانه‌ای شکلی به قطر D مطابق شکل به این لوله متصل شده است. این مخزن در اثر برقراری جریان درون لوله پر می‌شود. اگر قطر لوله نصف شود، مدت زمان لازم برای پر شدن مخزن چند برابر می‌شود؟ (فرض کنید اختلاف سرعت‌های V_1 و V_2 در دو حالت یکسان خواهد بود.)

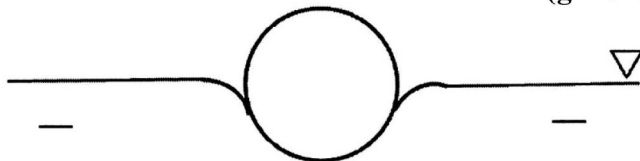


- ۴ (۱)
- ۲ (۲)
- $\frac{1}{4}$ (۳)
- $\frac{1}{2}$ (۴)

۱۳۲- کدام نمودار تغییرات ضریب اصطکاک (f) را بر حسب عدد رینولدز (Re) در جریان متلاطم سیال در یک لوله فولادی نشان می‌دهد؟



۱۳۳- یک گوی فلزی به قطر 5 mm مفروض است. اگر ضریب کشش سطحی آب تقریباً برابر 0.7 Nm^{-1} در نظر گرفته شود، حداکثر چگالی (بر حسب kgm^{-3}) این فلز چه قدر می‌تواند باشد به طوری که این گوی بتواند مطابق شکل بر سطح آب شناور باقی بماند؟ ($g = 10\text{ ms}^{-2}$)



- ۳۳۶۰ (۱)
- ۱۶۸۰ (۲)
- ۱۱۲۰ (۳)
- ۸۴۰ (۴)

۱۳۴- در حرکت سیالی با ویسکوزیته 2 سانتی‌پواز در یک لوله افقی با قطر 2 سانتی‌متر و طول 3 متر، اگر سرعت متوسط سیال برابر 2 متر بر ثانیه و عدد رینولدز برابر 400 باشد، افت فشار دو سر لوله افقی بر حسب پاسکال کدام است؟

- ۹۶۰ (۴)
- ۴۸۰ (۳)
- ۲۴۰ (۲)
- ۱۹۲ (۱)

۱۳۵- در انتقال حرارت هدایتی ناپایا در یک سیستم استوانه‌ای توپر با قطر ۵ cm، ضریب نفوذ گرمایی برابر با

$$\frac{m^2}{s} \text{ } ۰٫۰۰۲۵ \text{ است. پس از گذشت } ۱۰ \text{ ثانیه، مقدار عدد فوریه (Fo) کدام است؟}$$

(۱) ۱۰

(۲) ۴۰

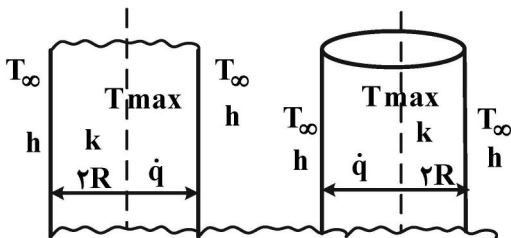
(۳) ۱۰۰

(۴) ۴۰۰

۱۳۶- در شکل زیر انتقال حرارت یک بعدی پایا و متقارن از یک دیواره و استوانه‌ای مطابق شکل و ضریب هدایت حرارتی k

دارای چشمه حرارتی \dot{q} (در واحد حجم) است. دمای مرکز دیواره و استوانه به ترتیب کدام است؟

(T_{∞} : دمای محیط و h: ضریب انتقال حرارت جابه‌جایی محیط، T_{max} : دمای مرکز)



(۱) دیواره: $T_{max} = T_{\infty} + \frac{\dot{q}R}{2h} + \frac{\dot{q}R^2}{4k}$ و استوانه: $T_{max} = T_{\infty} + \frac{\dot{q}R}{2h} + \frac{\dot{q}R^2}{4k}$

(۲) دیواره: $T_{max} = T_{\infty} + \frac{\dot{q}R}{h} + \frac{\dot{q}R^2}{k}$ و استوانه: $T_{max} = T_{\infty} + \frac{\dot{q}R}{2h} + \frac{\dot{q}R^2}{2k}$

(۳) دیواره: $T_{max} = T_{\infty} + \frac{\dot{q}R}{h} + \frac{\dot{q}R^2}{2k}$ و استوانه: $T_{max} = T_{\infty} + \frac{\dot{q}R}{h} + \frac{\dot{q}R^2}{2k}$

(۴) دیواره: $T_{max} = T_{\infty} + \frac{\dot{q}R}{h} + \frac{\dot{q}R^2}{2k}$ و استوانه: $T_{max} = T_{\infty} + \frac{\dot{q}R}{2h} + \frac{\dot{q}R^2}{4k}$

۱۳۷- برای انتقال حرارت جابه‌جایی آزاد در جریان آرام از یک سطح قائم داغ، ضریب انتقال حرارت جابه‌جایی موضعی

$$h_x = cx^{-\frac{1}{4}} \text{ است که در آن } x \text{ فاصله از ابتدای صفحه و } c \text{ عدد ثابتی است. نسبت ضریب انتقال حرارت جابه‌جایی}$$

متوسط (\bar{h}_L) به ضریب انتقال حرارت جابه‌جایی محلی در انتها (h_L) کدام است؟

(۱) $\frac{5}{3}$

(۲) $\frac{4}{3}$

(۳) $\frac{2}{3}$

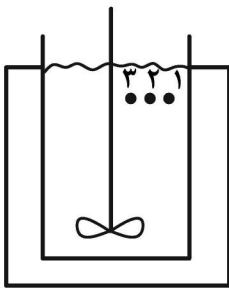
(۴) $\frac{1}{3}$

- ۱۳۸- برای انتقال حرارت جابه‌جایی اجباری در داخل یک لوله کدام عبارت در جریان آرام درست است؟
- (۱) در صورتی که عدد رینولدز (Re) خیلی بزرگ باشد، طول توسعه‌یافتگی سیالاتی بزرگتر از طول توسعه‌یافتگی حرارتی است.
 - (۲) در صورتی که عدد پرانتل (Pr) خیلی بزرگ باشد، طول توسعه‌یافتگی سیالاتی بزرگتر از طول توسعه‌یافتگی حرارتی است.
 - (۳) در صورتی که عدد پرانتل (Pr) خیلی کوچک باشد، طول توسعه‌یافتگی سیالاتی بزرگتر از طول توسعه‌یافتگی حرارتی است.
 - (۴) طول توسعه‌یافتگی سیالاتی همیشه بزرگتر از توسعه‌یافتگی حرارتی است و به Re و Pr ربطی ندارد.

۱۳۹- در چگالش لایه‌ای آرام بر روی یک صفحه عمودی، کدام‌یک از ویژگی‌های سیال در دمای اشباع محاسبه می‌شود؟

- (۱) ρ_V
- (۲) ρ_L
- (۳) k_L
- (۴) μ_L

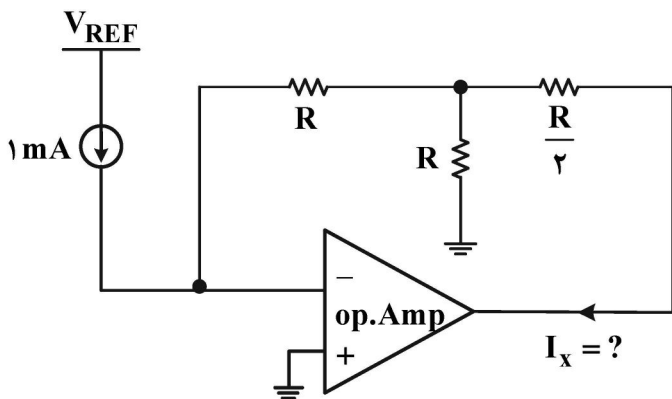
۱۴۰- در حالت همزدگی کامل در یک مخزن همزده با گرمایش از دیواره مطابق شکل، دما در سه نقطه ۱، ۲ و ۳ کدام است؟



- (۱) $T_1 > T_2 > T_3$
- (۲) $T_1 < T_2 < T_3$
- (۳) $T_1 \approx T_2 > T_3$
- (۴) $T_1 \approx T_2 \approx T_3$

الکترونیک (۲) و الکترومغناطیس مهندسی:

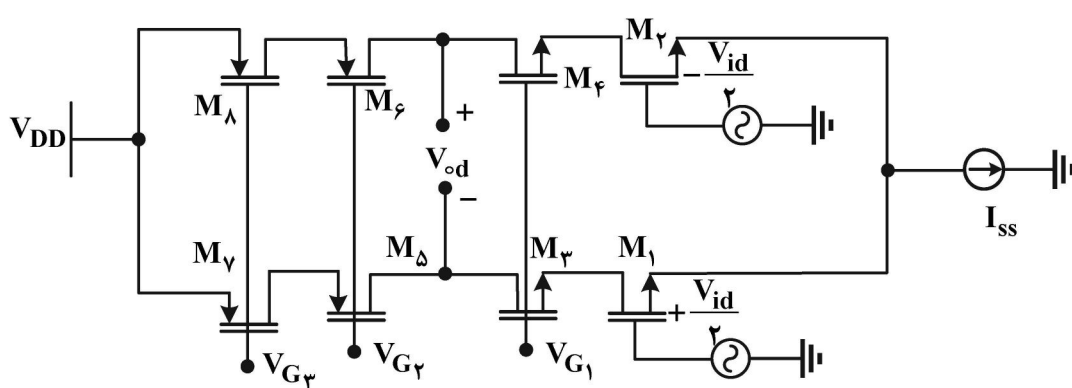
۱۴۱- با فرض ایده‌آل بودن اپ‌امپ، مقدار جریان I_x چند میلی‌آمپر است؟



- (۱) ۰/۵
- (۲) ۱
- (۳) ۲
- (۴) ۳

۱۴۲- بهره تفاضلی مدار زیر کدام است؟

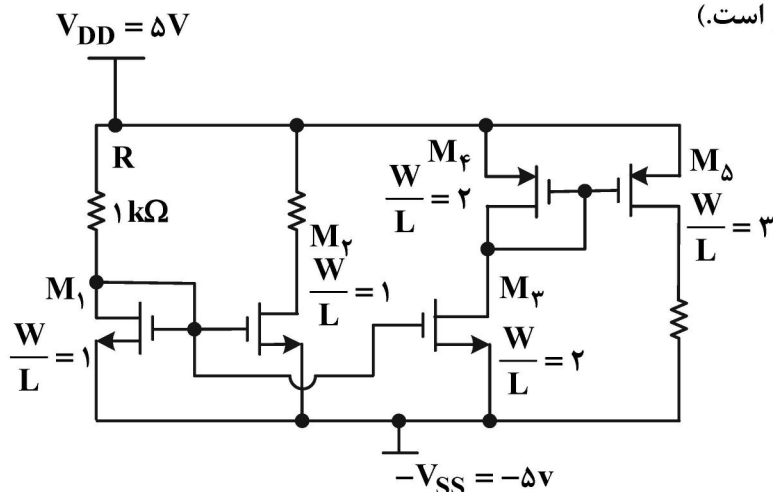
$(r_{o\Delta} = r_{oV} = 200\text{ k}\Omega, r_{o1} = r_{o3} = 100\text{ k}\Omega, g_{m3} = 4\frac{\text{mA}}{\text{V}}, g_{m1} = 1\frac{\text{mA}}{\text{V}}, g_{m\Delta} = 1/5\frac{\text{mA}}{\text{V}})$



- (۱) $1/2 \times 10^4$
- (۲) $2/4 \times 10^4$
- (۳) 3×10^4
- (۴) 6×10^4

۱۴۳- در شکل زیر همه ترانزیستورها در حالت اشباع کار می کنند. مقدار جریان درین ماسفت $M\Delta$ چند میلی آمپر

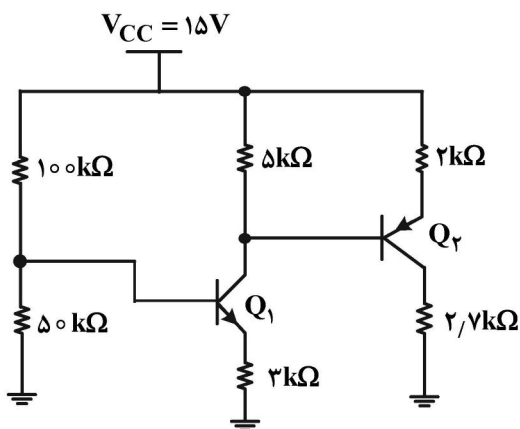
است؟ $(V_{th} = 1\text{V}$ و $\mu_n C_{ox} = 2\frac{\text{mA}}{\text{V}^2}$ است.)



- (۱) ۶/۴۶
- (۲) ۹/۶۹
- (۳) ۱۲/۹۲
- (۴) ۱۹/۳۸

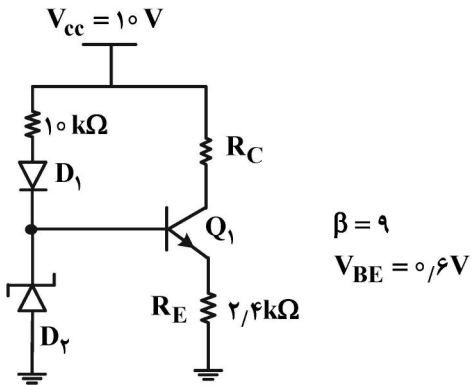
۱۴۴- در شکل زیر برای همه ترانزیستورها $|V_{BE,on}| = 0.7\text{V}$ و مقدار β بسیار بزرگ است. مقدار جریان کلکتور

ترانزیستور $Q2$ چند میلی آمپر است؟



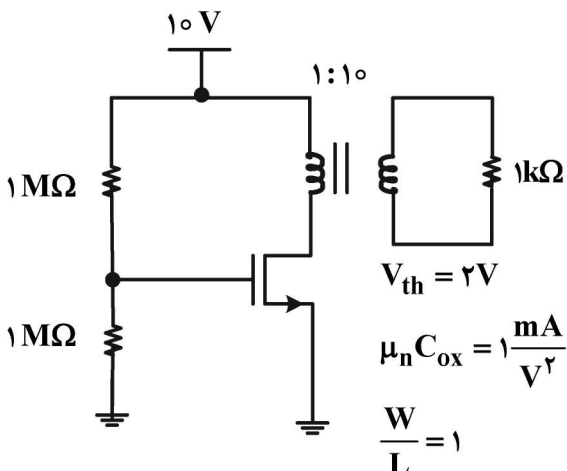
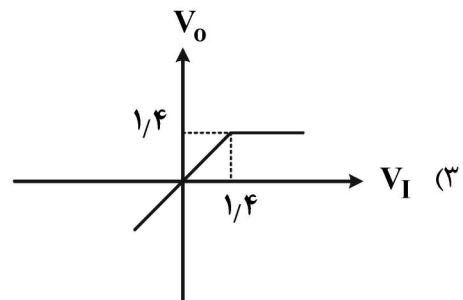
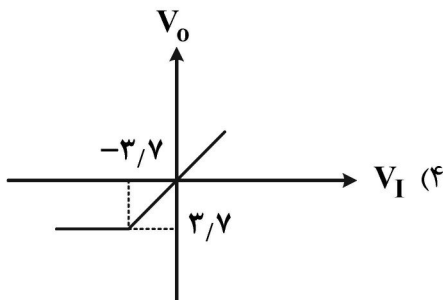
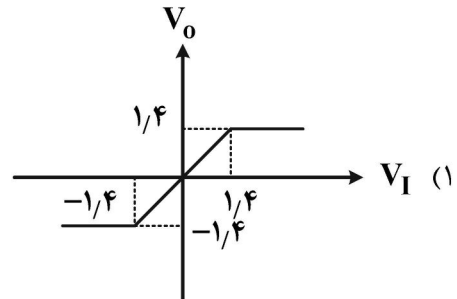
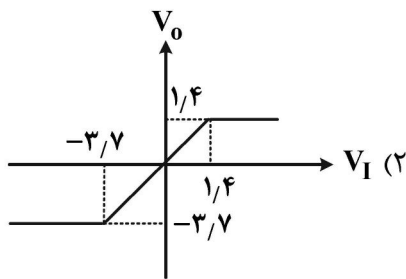
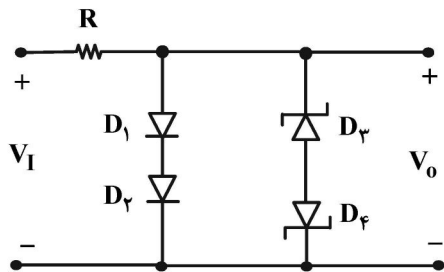
- (۱) ۱/۵
- (۲) ۲
- (۳) ۳/۵
- (۴) ۴

۱۴۵- در شکل زیر ولتاژ آستانه هدایت همه دیودها $0.7V$ و ولتاژ شکست دیود زبر $3V$ است. مقدار دقیق جریان کلکتور ترانزیستور چند میلی آمپر است؟



- (۱) 0.9
- (۲) 1
- (۳) 1.1
- (۴) 1.25

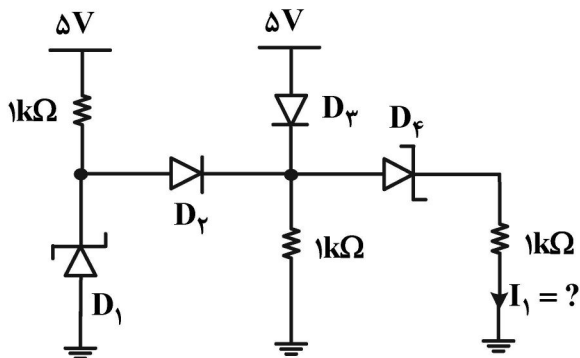
۱۴۶- در شکل زیر ولتاژ آستانه هدایت همه دیودها $0.7V$ و ولتاژ شکست دیودهای زبر $3V$ است. کدام شکل، مشخصه ورودی - خروجی مدار را نشان می دهد؟



۱۴۷- نقطه کار DC ماسفت در مدار زیر کدام است؟

- (۱) $I_D = 4.5mA$, $V_{DS} = 5.5V$
- (۲) $I_D = 9mA$, $V_{DS} = 10V$
- (۳) $I_D = 4.5mA$, $V_{DS} = 10V$
- (۴) $I_D = 9mA$, $V_{DS} = 5.5V$

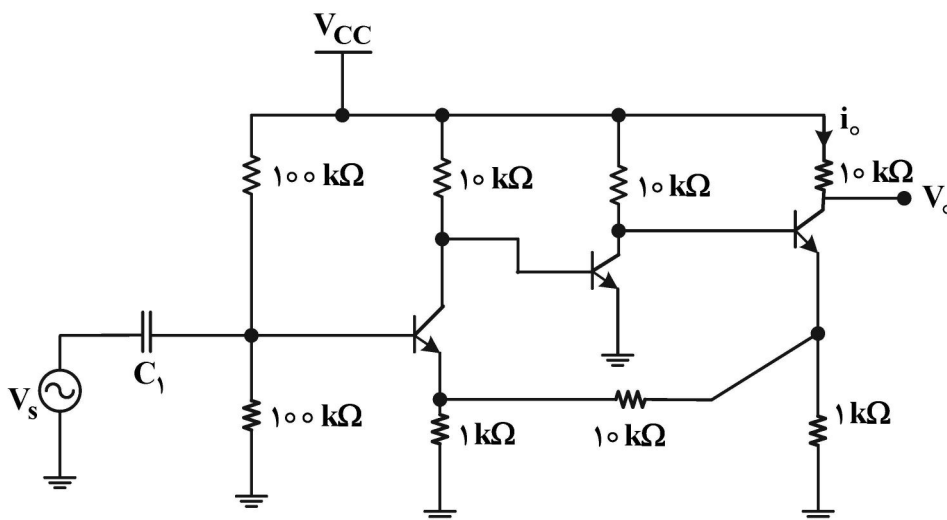
۱۴۸- در شکل زیر ولتاژ آستانه هدایت همه دیودها ۰٫۷V و ولتاژ شکست دیودهای زener ۳V است. جریان I_1 چند میلی آمپر است؟



میلی آمپر است؟

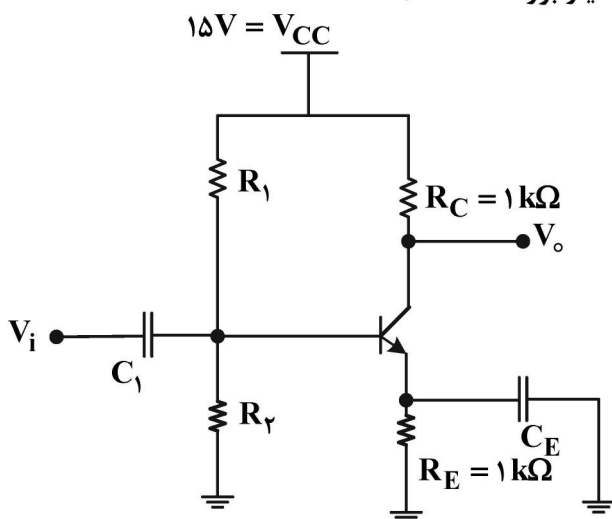
- (۱) ۱/۳
- (۲) ۱/۶
- (۳) ۳
- (۴) ۳/۶

۱۴۹- در مدار زیر، با فرض بزرگ بودن h_{fe} برای همه ترانزیستورها، مقدار بهره $A_V = \frac{V_o}{V_s}$ کدام است؟



- (۱) +۱۲۰
- (۲) +۱۲
- (۳) -۱۲
- (۴) -۱۲۰

۱۵۰- در تقویت کننده شکل زیر، با فرض بزرگ بودن β ترانزیستور، نقطه کار DC، برای داشتن حداکثر دامنه نوسان متقارن در خروجی، کدام است؟ (خازن های C_E و C_1 بسیار بزرگ هستند.)



- (۱) $I_C = ۳٫۷۵ \text{ mA}$ و $V_{CE} = ۷٫۵ \text{ V}$
- (۲) $I_C = ۵ \text{ mA}$ و $V_{CE} = ۵ \text{ V}$
- (۳) $I_C = ۷٫۵ \text{ mA}$ و $V_{CE} = ۷٫۵ \text{ V}$
- (۴) $I_C = ۱۰ \text{ mA}$ و $V_{CE} = ۵ \text{ V}$

۱۵۱- در مختصات استوانه‌ای، اختلاف پتانسیل جزئی (incremental) بین نقاط A و B در میدان الکتریکی $\vec{E} = 2e^{2x-2y+4z}(-2\vec{a}_x + 3\vec{a}_y - 4\vec{a}_z)$ با B در $(0, 0, 0)$ و A در $(10^{-3}, \phi, 10^{-4})$ داده شده است. میزان ϕ چقدر باشد تا حداکثر ΔV را ارائه دهد؟

$$\tan^{-1}(-2/5) \quad (1)$$

$$\tan^{-1}(-2/0) \quad (2)$$

$$\tan^{-1}(-1/5) \quad (3)$$

$$\tan^{-1}(-1/25) \quad (4)$$

۱۵۲- شدت میدان الکتریکی (\vec{E}) ایجادشده توسط حلقه دایره‌ای با مشخصات زیر، روی محور z ها کدام است؟ (ابعاد حلقه: $a \leq r \leq b$ ، $0 \leq \phi \leq 2\pi$ ، حلقه روی صفحه $z=0$ قرار دارد مرکز حلقه در مبدأ مختصات بوده و حلقه دارای چگالی بار سطحی ρ_s یکنواخت در فضای آزاد است.)

$$\frac{\rho_s z}{2\epsilon_0} \left(\frac{1}{\sqrt{z^2 + a^2}} - \frac{1}{\sqrt{z^2 + b^2}} \right) \vec{a}_z \quad (1)$$

$$\frac{\rho_s z}{2\epsilon_0} \left(\frac{1}{\sqrt{z^2 + a^2}} + \frac{1}{\sqrt{z^2 + b^2}} \right) \vec{a}_z \quad (2)$$

$$\frac{\rho_s z}{4\epsilon_0} \left(\frac{1}{\sqrt{z^2 + a^2}} - \frac{1}{\sqrt{z^2 + b^2}} \right) \vec{a}_z \quad (3)$$

$$\frac{\rho_s z}{4\epsilon_0} \left(\frac{1}{\sqrt{z^2 + a^2}} + \frac{1}{\sqrt{z^2 + b^2}} \right) \vec{a}_z \quad (4)$$

۱۵۳- در مختصات کروی، چگالی بار حجمی $\rho_v = 10^{-2r}$ مفروض است. \vec{D} کدام است؟

$$\frac{5}{r^2} \left[1 + e^{-r}(1 + 2r + 2r^2) \right] \quad (1)$$

$$\frac{5}{r^2} \left[1 - e^{-r}(1 + 2r + 2r^2) \right] \quad (2)$$

$$\frac{2/5}{r^2} \left[1 + e^{-2r}(1 + 2r + 2r^2) \right] \quad (3)$$

$$\frac{2/5}{r^2} \left[1 - e^{-2r}(1 + 2r + 2r^2) \right] \quad (4)$$

۱۵۴- در مختصات کروی، چگالی جریان در یک محیط هادی برابر است با: $\vec{J} = \left(\frac{k_1}{r} \right) \vec{a}_\phi - \left[\frac{k_2}{r \sin \theta} \right] \vec{a}_\theta$ ، کل جریانی که

در جهت \vec{a}_z از یک دیسک دایره‌ای با شعاع R_1 که در $z = h$ قرار گرفته عبور می‌کند، کدام است؟

$$I = 2\pi k_2 \left[\sqrt{R_1^2 + h^2} + h \right] \quad (1)$$

$$I = 2\pi k_2 \left[\sqrt{R_1^2 + h^2} - h \right] \quad (2)$$

$$I = 4\pi k_2 \left[\sqrt{R_1^2 + h^2} - h \right] \quad (3)$$

$$I = 4\pi k_2 \left[\sqrt{R_1^2 + h^2} + h \right] \quad (4)$$

۱۵۵- دو حلقه سیم مدور هم‌محور به شعاع‌های a و b و به فاصله c از یکدیگر مفروضند. با فرض $b \ll a$ ضریب القاء متقابل بین دو حلقه کدام است؟

$$M_{12} = \frac{\pi \mu_0 a^2 b^2}{2(a^2 + c^2)^2} \quad (1)$$

$$M_{12} = \frac{\pi \mu_0 a^2 b^2}{4(a^2 + c^2)^2} \quad (2)$$

$$M_{12} = \frac{2\mu_0 \pi a^2 b^2}{(a^2 + c^2)^2} \quad (3)$$

$$M_{12} = \frac{4\mu_0 \pi a^2 b^2}{(a^2 + c^2)^2} \quad (4)$$

۱۵۶- یک سیم نازک طویل با جریان I موازی لبه یک تیغه آهنی نیم نامحدود به فاصله d از آن قرار دارد. فرض کنید آهن دارای نفوذپذیری مغناطیسی بی‌نهایت است. مقدار و جهت نیروی وارد بر واحد طول سیم کدام است؟

$$\bar{F} = -\frac{\mu_0 I^2}{2\pi d} \bar{a}_x \quad (1)$$

$$\bar{F} = \frac{\mu_0 I^2}{4\pi d} \bar{a}_x \quad (2)$$

$$\bar{F} = -\frac{2\mu_0 I^2}{\pi d} \bar{a}_x \quad (3)$$

$$\bar{F} = \frac{4\mu_0 I^2}{\pi d} \bar{a}_x \quad (4)$$

۱۵۷- یک هادی غیرمغناطیسی بسیار بلند استوانه‌ای به شعاع داخلی a و شعاع خارجی b ، حامل جریان I است. چگالی جریان درون هادی یکنواخت است. میدان مغناطیسی ایجاد شده توسط این جریان درون هادی ($a < r < b$)، کدام است؟

$$\frac{\mu_0 I}{2\pi r} \cdot \frac{r^2 - a^2}{b^2 - a^2} \bar{a}_\theta \quad (1)$$

$$\frac{\mu_0 I}{2\pi r} \cdot \frac{b^2 - a^2}{r^2 - a^2} \bar{a}_\theta \quad (2)$$

$$\frac{\mu_0 I}{4\pi r} \cdot \frac{r^2 - a^2}{b^2 - a^2} \bar{a}_\theta \quad (3)$$

$$\frac{\mu_0 I}{4\pi r} \cdot \frac{b^2 - a^2}{r^2 - a^2} \bar{a}_\theta \quad (4)$$

۱۵۸- پوسته کروی فلزی به شعاع داخلی a و شعاع خارجی b مفروض است. بار نقطه‌ای q در مرکز کره و بار سطحی یکنواخت σ در روی سطح خارجی آن در حالت تعادل قرار دارند. مقدار میدان الکتریکی در محدوده $r > b$ ، کدام است؟

$$\frac{2\sigma b^3}{\epsilon_0 r^3} \quad (1)$$

$$\frac{2\sigma b^2}{\epsilon_0 r^2} \quad (2)$$

$$\frac{\sigma b^3}{\epsilon_0 r^3} \quad (3)$$

$$\frac{\sigma b^2}{\epsilon_0 r^2} \quad (4)$$

۱۵۹- برای جریان ماندگار که از قانون اهم پیروی می‌کند، مقاومت بین دو کره هم‌مرکز هادی به شعاع‌های a و b ($a < b$) که با ماده‌ای به هدایت σ پر شده باشد، کدام است؟

$$\frac{1}{2\pi\sigma} \left(\frac{1}{a} - \frac{1}{b} \right) \quad (1)$$

$$\frac{2}{\pi\sigma} \left(\frac{1}{a} - \frac{1}{b} \right) \quad (2)$$

$$\frac{1}{4\pi\sigma} \left(\frac{1}{a} - \frac{1}{b} \right) \quad (3)$$

$$\frac{4}{\pi\sigma} \left(\frac{1}{a} - \frac{1}{b} \right) \quad (4)$$

۱۶۰- دو صفحه موازی یک خازن تا پتانسیل V پر و سپس از منبع جدا می‌شود. چه مقدار کار لازم است تا به آهستگی فاصله این دو صفحه از d به $d' \neq d$ تغییر داده شود؟ (صفحه‌ها مدور و به شعاع $r \gg d$ هستند و از اثر لبه‌های صفحات خازن صرف‌نظر می‌شود).

$$\frac{\epsilon_0 \pi r^2 (d' - d)^2 V^2}{2d^2} \quad (1)$$

$$\frac{\epsilon_0 \pi r^2 (d' - d) V^2}{2d^2} \quad (2)$$

$$\frac{\epsilon_0 \pi r^2 (d' - d)^2 V^2}{4d^2} \quad (3)$$

$$\frac{\epsilon_0 \pi r^2 (d' - d) V^2}{4d^2} \quad (4)$$

